



PRODUCT SPECIFICATION

Attn: _____

SPEC. No: _____

DATE: Feb.15.2012

CUSTOMER PRODUCT NAME:
TDK PRODUCT NAME: WR-483250-15M2-XX
THIS SPECIFICATION IS:

TDK-EPC Corporation

Head Office Address:

1-13-1, Nihonbashi, Chuo-ku, Tokyo
103-0027 , Japan

SALES

MANAGER	SALES

ENGINEERING

APPROVED	CHECKED	ISSUED

Sales Office _____

Sales Tel. _____

PRODUCT CLASSIFICATION CODE	
-----------------------------	--

REVISED HISTORY

CUSTOMER PRODUCT NAME: _____

TDK PRODUCT NAME:

WR-483250-15M2-XX

NO.	REV.	REVISED CONTENT	REVISED REASON	DATE
1	0	To establish specification		2012.02.15

PRODUCT SPECIFICATION

TDK PRODUCT NAME:

WR-483250-15M2-XX

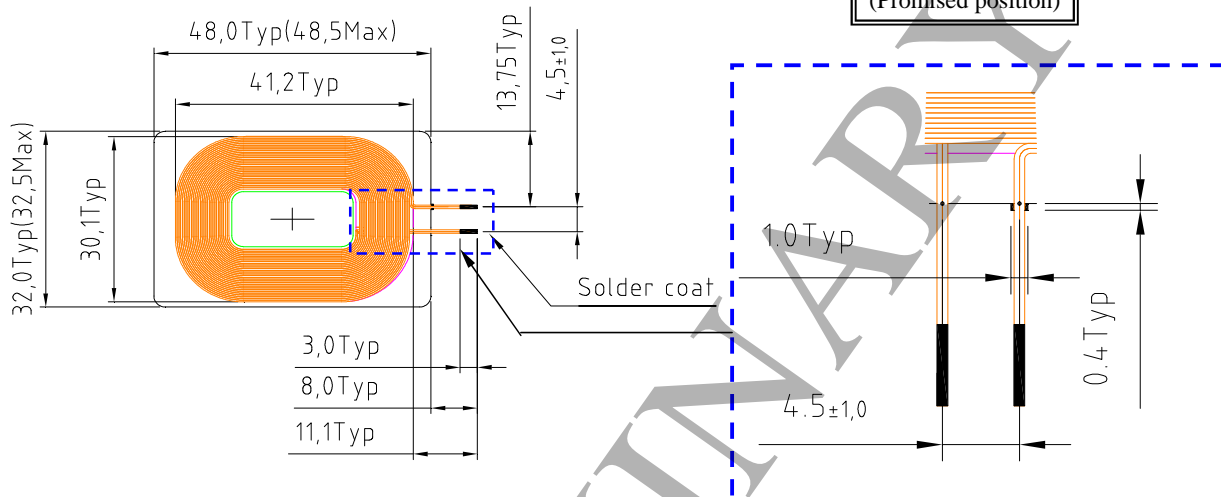
SPEC. NO.

CUSTOMER PRODUCT NAME:

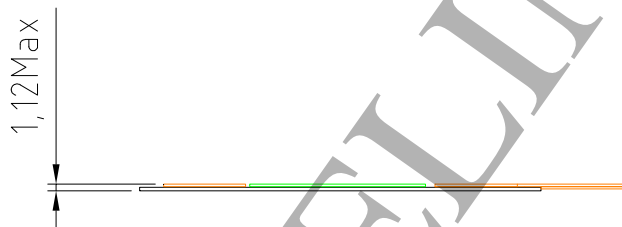
(1) Apperance & Dimensions (Unit: mm)

Weight: 6.30g (Typ.)

TOP VIEW



SIDE VIEW



[Remarks]

1. Lead Wire Pitch is the end of wire position, not Output terminal.

2. Marking Content:

a. T: TDK

b. Lot No.: _____

(1) (2) (3)

(1) Year: A.D. end number in double

(2) Month: Jan.(01) , Feb.(02)...Dec.(12)

(3) Day: 01,02,03,...31.

LOT NO.



PRODUCT SPECIFICATION

TDK PRODUCT NAME:

WR-483250-15M2-XX

SPEC. NO.

CUSTOMER PRODUCT NAME:

(2) Air coil specification

Wire Diameter: $\phi 0.30 \times 2$ (Bifilar Winding Coil)

Coil Turns: 15Ts

(3) Electrical Characteristics

No.	Parameter	Specification	Test Instrument
1	Inductance	$10.5 \mu\text{H} \pm 5 \%$	HP 4284A DIGITAL LCR METER or EQUIVALENT (@100kHz 1.0 Vrms)
2	DC Resistance	0.20Ω Max (At 25 °C)	CHEN HWA 502A OHM METER or EQUIVALENT

(4) Temperature Characteristics

No.	Parameter	Specification
1	Operating Temperature	-30~70
2	Storage Temperature	-40~85

(5) Application

1. Reflow and dip-flow soldering can not used for this product.
2. The product fit in with RoHS rule.
3. The product fit in with Halogen-Free.

PRODUCT SPECIFICATION

TDK PRODUCT NAME:

WR-483250-15M2-XX

SPEC. NO.

CUSTOMER PRODUCT NAME:

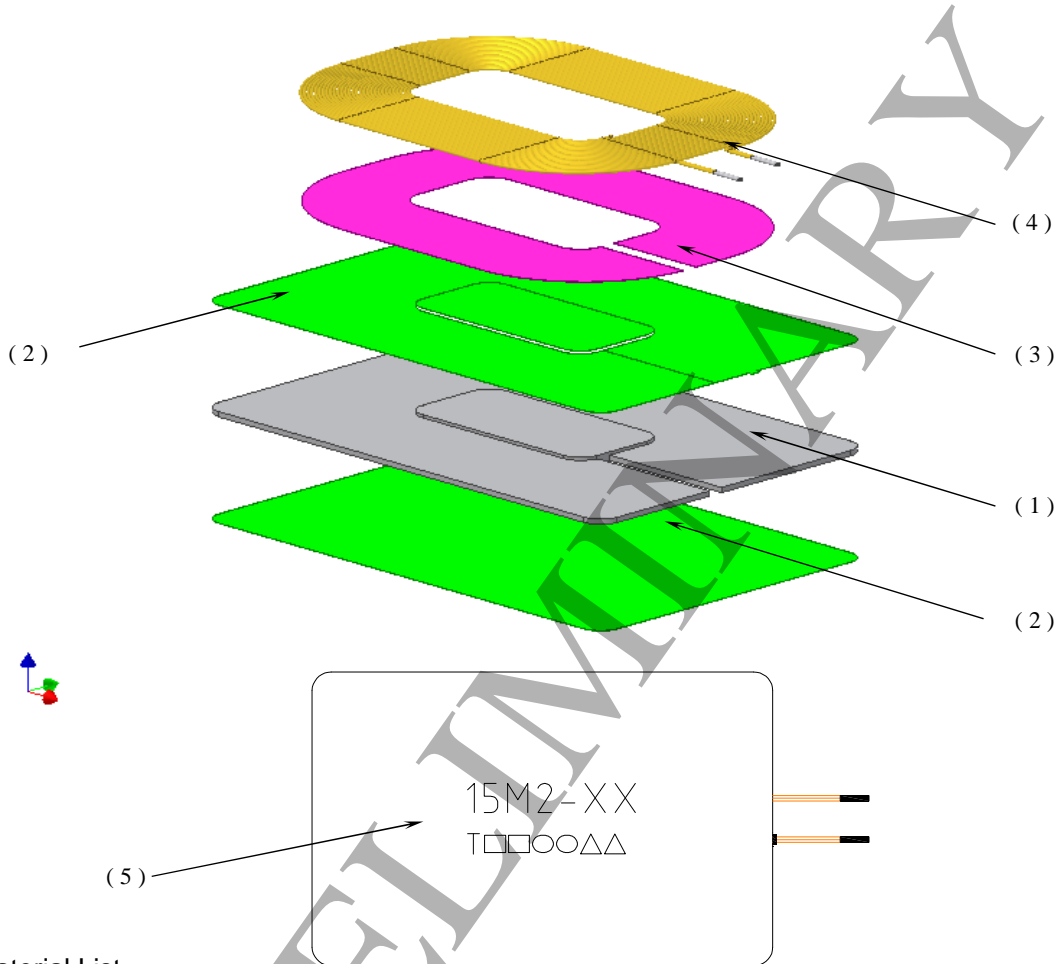
(6) Reliability Conditions

No.	Parameter	Conditions
1	Low Temperature (Storage)	(1) Temperature : -40 ± 2 (2) Time : 240Hrs
2	High Temperature (Storage)	(1) Temperature : $+85\pm 2$ (2) Time : 240Hrs
3	Thermal Shock (Storage)	(1) Temperature : -40 ± 5 / 30min ~ $+85\pm 5$ / 30min (2) Ambient Time : 5min (3) Times : 100cycles
4	Vibration	Unpacked: (1) frequency: 10~500Hz sweep octave wave(1 oct/ min) (2) Amplitude: 10G or 1.5mm P-P (3) Testing time : XYZ 2h/axis, total 6h
5	Shock Test	Fixed within the jig (1) Acceleration : $1000\text{m} / \text{s}^2$ (2) Pulse width : 6 msec (3) Direction : $\pm X$, $\pm Y$, $\pm Z$ (4) Frequency of shock : 3 times each (Total 18 times) Half-sine shock (1) 200G, 3ms(Gravity) (2) One shock per face (3) Total 6 shocks
6	Temperature / Humidity (Storage)	(1) Temperature : $+60\pm 2$ (2) Humidity: 90% RH. (3) Time: 240Hrs
7	Drop Test	(1) Height : 160cm to the concrete floor (fixture weight : 100g(REF)) (2) Direction : 6 directions (3) Times : 3 times / direction
8	Package Drop	(1) Drop the sample package in a carton box. (2) Height : 100 cm (3) Direction : 1corner, 3 edges, 6 faces (4) Drop time : 16 times

PRODUCT SPECIFICATION

TDK PRODUCT NAME: WR-483250-15M2-XX	SPEC. NO.	CUSTOMER PRODUCT NAME:
---	-----------	------------------------

(7)



(8) Material List

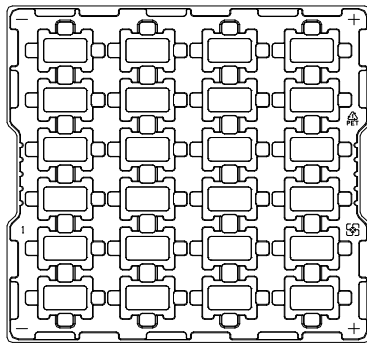
No.	Material Name
1	Iron Sheet
2	PET Tape
3	Adhesive Tape
4	Air Coil
5	Ink

PRODUCT SPECIFICATION

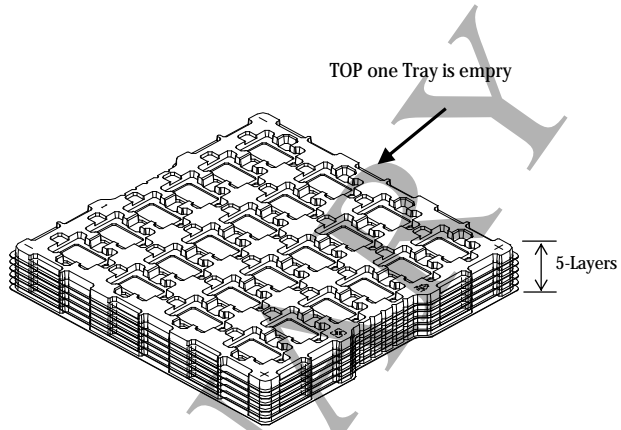
TDK PRODUCT NAME: WR-483250-15M2-XX	SPEC. NO.	CUSTOMER PRODUCT NAME:
---	-----------	------------------------

(9) Packing

- To stack the the Trays onto 5 Layers. :
 - PET tray dimension: 326*329*9.5mm (REF.)
 - 24 Pcs / per PET tray

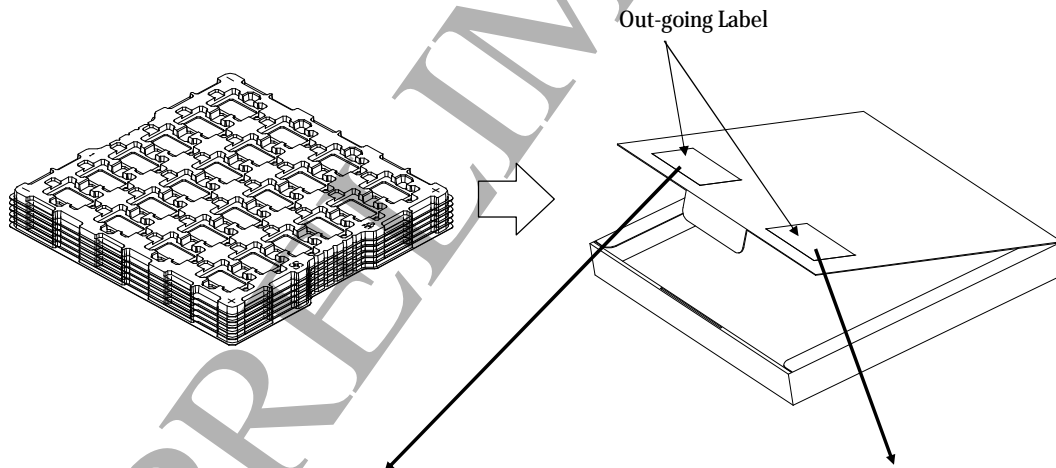


Total : 6x4=24pcs



Total : 24x4=96pcs

- To put 5 Trays of products into the small Carton and affixing the out-going label on the outside .
 - Small carton dimension: 331*337*33mm (REF.)
 - 5 PET Trays / per small carton (One PET tray of the top side is empty in the small carton)



CUST PROD ID(P): WR - 483250 - 15M2 - XX

SAMPLE (M)

QTY(Q): 72 VDR(V): TDK

LOT NO(1T): TL186224 DATE CODE(T): 1411

(1P): TXDF10105TWN2737 2011/10/21 WR-483250-15M2-XX

MADE IN TAIWAN 1 / 1 TDK

Out-going Label (Inside 1)

CUST PROD ID(P): WR - 483250 - 15M2 - XX Simcom **SAMPLE**

ROHS

QTY(Q): 72 (6P): TXDF10105TWN273711000

TDK ITEM(1P): WR - 483250 - 15M2 - XX VDR(V): TDK

LOT NO(1T): WL11K06001 + M0001 DATE CODE(T): 1411 0001

2011/10/07 MADE IN TAIWAN 12325A0435

(ITEM:WR - 483250 - 15M2 - XX) (1M)TTXDF10105 TDK TAIWAN CORPORATION

Out-going Label (Inside 2)

PRODUCT SPECIFICATION

TDK PRODUCT NAME:

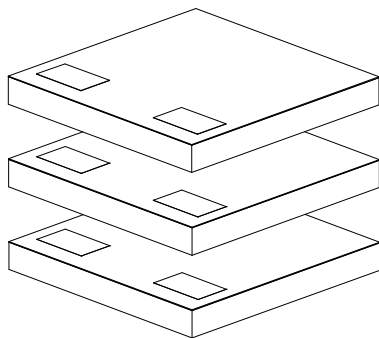
WR-483250-15M2-XX

SPEC. NO.

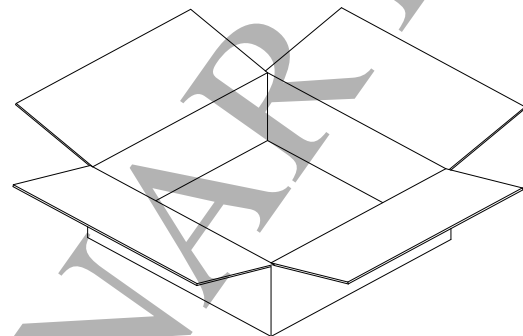
CUSTOMER PRODUCT NAME:

3. To put 3 small carton into the Carton .

- Outer carton dimension: 347*340*124mm (REF.)
- 3 small cartons / per outer carton
- Total quantity : 288 Pcs



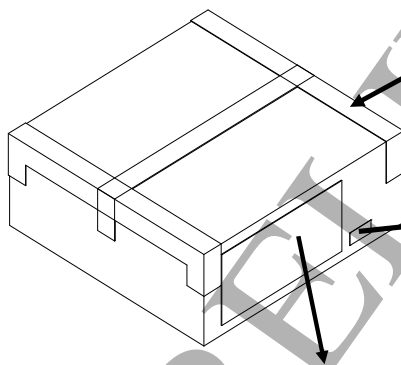
3 small cartons



Outer carton

4. Packing.

- To pack the carton by scotch tape and affix out-going label (outside) on it outside.
- The Inspection data in the box , there would be a signet mark on it outside.



scotch tape

**INSPECTION DATA
ENCLOSED**
 檢驗紀錄表在內

signet mark of Inspection data

(3S) TTW+WL11K0600200101400000360



(6S) C/NO:1



BOX COUNT

001/009

ROHS

SHIPPING MARK

SAMPLE

Customer
SHANGHAI

MADE IN TAIWAN

WLXXXXXXXX
12345A6789



1

WAREHOUSE
NW 3.6 GW 4.0 (CT)

TDK TAIWAN CORPORATION

YANGMEI, TAIWAN

9



TTXDF10105

CUSTOMER: Customer

CUST. PART NO(P): 12A34567-89A

TDK ITEM CODE(6P): TXDF10105TWN

P/O NO.(K): TSHV - S001016344

LOT NO.(1T): WL12345678

DATE: Oct.07.2011

QTY(Q): 288

TDK ITEM (1P): WR-483250-15M2-S-XX

(WR-483250-15M2-XX)

SUB P/O NO.(6K): 4500059424

TDK SPEC.

out-going label (outside)