

VI TELEFILTER**Resonator Specification****TFR 433 E - 1/4****Measurement condition**

Ambient temperature: 23 °C
 Input power level: 10 dBm
 Terminating impedances
 for input: 50Ω || 0pF
 for output: 50Ω || 0pF

Construction and pin configuration

see page 2

Characteristics

Remark:

Remark:

The minimum of the pass band attenuation a_{\min} is defined as the insertion loss a_e . The centre frequency f_0 is the frequency of the minimum of the passband attenuation a_{\min} . The tolerance for the resonant frequency also includes a centre frequency shift due to the temperature coefficient of frequency TC_f in the operating temperature range and a production tolerance for the resonant frequency f_R .

D a t a		typ. value	tolerance/limit
Insertion loss (Reference level)	$a_e = a_{\min}$	1,2 dB	max. 1,8 dB
Resonant frequency	f_R	433,92 MHz	± 75 kHz
Series loss resistance	R_1	13 Ω	
Operating temperature range			- 10 °C ... + 70 °C
Storage temperature range			- 30 °C ... + 85 °C
Frequency change with temperature between -10 °C ... + 70 °C			95 ppm
Phase	φ		20 ° ... - 20°

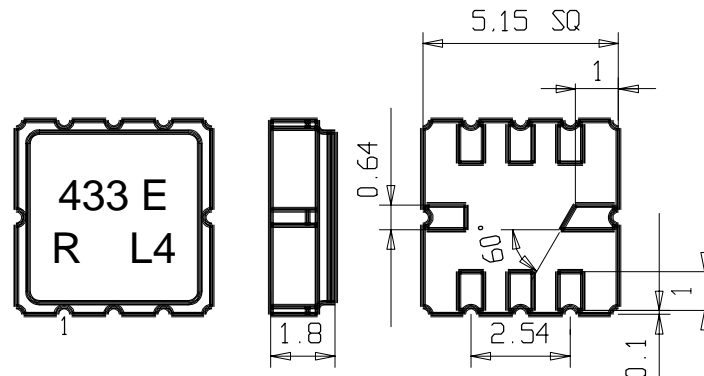
Generated: _____**Checked / approved:** _____

VI TELEFILTER
 Potsdamer Straße 18
 D 14 513 TELTOW / Germany
 Tel: (+49) 3328 4784-52 / Fax: (+49) 3328 4784-30
 E-Mail: tft@telefilter.com

Vectron International, Inc.
 267 Lowell Road
 Hudson, NH 03051 / USA
 Tel: (603) 598-0070 Fax: (603) 598-0075
 E-Mail: vti@vtinh.com

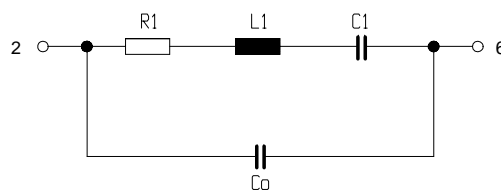
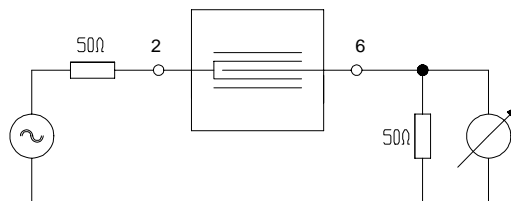
VI TELEFILTER**Resonator Specification****TFR 433 E - 2/4****Construction, pin configuration and 50 Ω - matching network**

(All dimensions in mm)



Pin 1 Ground
 Pin 2 Output
 Pin 3 Ground
 Pin 4 Package Ground

Pin 5 Ground
 Pin 6 Input
 Pin 7 Ground
 Pin 8 Package ground

50 Ohm Test circuit 1

VI TELEFILTER
 Potsdamer Straße 18
 D 14 513 TELTOW / Germany
 Tel: (+49) 3328 4784-52 / Fax: (+49) 3328 4784-30
 E-Mail: tft@telefilter.com

Vectron International, Inc.
 267 Lowell Road
 Hudson, NH 03051 / USA
 Tel: (603) 598-0070 Fax: (603) 598-0075
 E-Mail: vti@vtinh.com

VI TELEFILTER**Resonator Specification****TFR 433 E - 3/4****Stability Characteristics**

After the following tests the filter shall meet the whole specification:

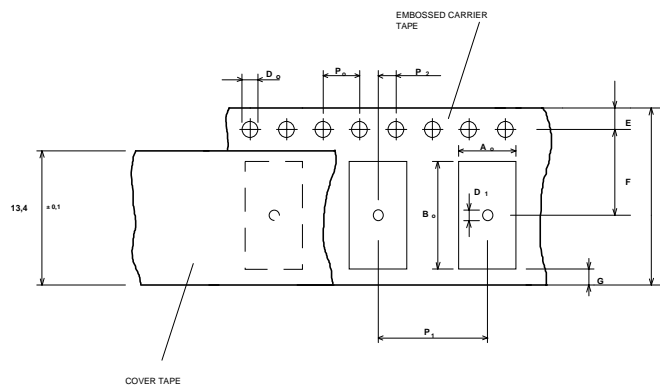
1. Shock: 100g, 18 ms, half sine wave, 3 shocks each plane;
DIN IEC 68 T2 - 27
2. Vibration: 10 Hz to 500 Hz, 0,075 mm or 1g respectively, 1 octave per min, 10 cycles per plan, 3 plans;
DIN IEC 68 T2 - 6
3. Damp heat:
(steady state) 90 % to 95 % rel. humidity, 40 °C, 10 days;
DIN IEC 68 - 2 - 3
4. Resistance to solder heat (reflow): max. 2 times reflow process;
for temperature conditions refer to the attached "Air reflow temperature conditions" on sheet 4;

Packing

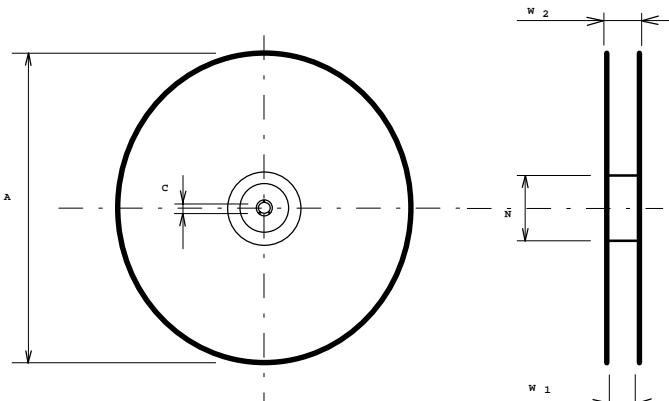
Tape & Reel: IEC 286 - 3, with exception of value for N and minimum bending radius;
tape type II, embossed carrier tape with top cover tape on the upper side;
max. pieces of filters per reel: 3400

Tape (all dimensions in mm)

W	: 16 ±0,3
Po	: 4 ±0,1
Do	: 1,5 +0,5
D1	: 1,5 +0,5
E	: 1,75±0,1
F	: 7,5 ±0,1
G (min)	: 0,75
P2	: 2 ±0,05
P1	: 8 ±0,1
D1(min)	: 1,5
Ao	: 5,4 ±0,1
Bo	: 5,4 ±0,1

**Reel (all dimensions in mm):**

A	:	330
W1	:	16,4 +2
W2 (max)	:	22,4
N (min)	:	>= 90
C	:	13 ± 0,25



The minimum bending radius is 45 mm. The mounting surface of the filters faces the bottom side of the embossed carrier tape. The marking of the filters is able to read if the view is directed on the upper side of the carrier tape with the sprocket holes on the right side of the tape.

VI TELEFILTER
Potsdamer Straße 18

D 14 513 TELTOW / Germany

Tel: (+49) 3328 4784-52 / Fax: (+49) 3328 4784-30

E-Mail: tft@telefilter.com

Vectron International, Inc.

267 Lowell Road

Hudson, NH 03051 / USA

Tel: (603) 598-0070 Fax: (603) 598-0075

E-Mail: vti@vtinh.com

VI TELEFILTER**Resonator Specification****TFR 433 E - 4/4****Air reflow temperature conditions**

1st and 2nd air reflow profile

Name:	pre-heating periods	main-heating periods	peak temperature
Temperature:	150 °C - 170 °C	over 200 °C	255 °C ± 5 °C
Time:	60 sec. - 90 sec.	20 sec. - 25 sec.	

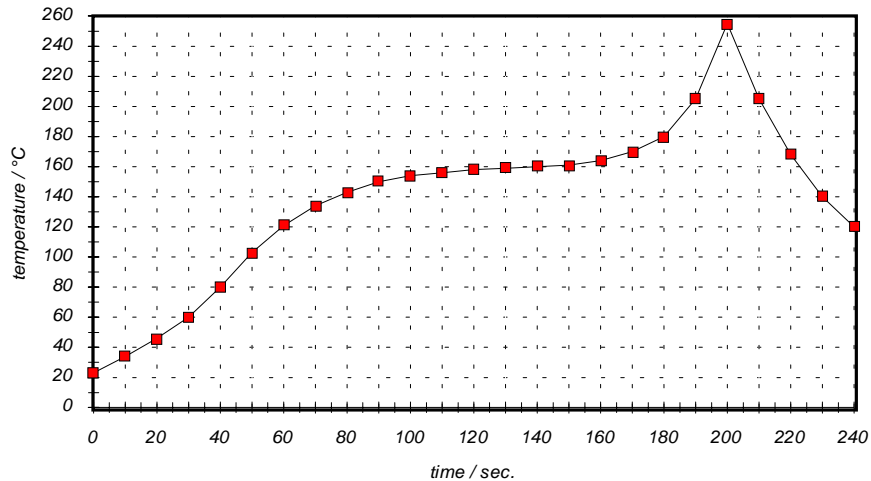
Chip-mount air reflow profile

Table for temperature vs. time during the air reflow process

Tolerance of temperatures: ± 5 °C

time / sec.	temperature / °C	time / sec.	temperature / °C
0	23	140	160
10	34	150	161
20	46	160	164
30	60	170	170
40	80	180	180
50	103	190	205
60	121	195	230
70	134	200	255
80	143	205	230
90	150	210	205
100	154	215	180
110	156	220	165
120	158	230	140
130	159	240	120

VI TELEFILTER
 Potsdamer Straße 18
 D 14 513 TELTOW / Germany
 Tel: (+49) 3328 4784-52 / Fax: (+49) 3328 4784-30
 E-Mail: tft@telefilter.com

Vectron International, Inc.
 267 Lowell Road
 Hudson, NH 03051 / USA
 Tel: (603) 598-0070 Fax: (603) 598-0075
 E-Mail: vti@vtinh.com