



TAI-SAW TECHNOLOGY CO., LTD.

No. 3, Industrial 2nd Rd., Ping-Chen Industrial District,
Taoyuan, 324, Taiwan, R.O.C.

TEL: 886-3-4690038 FAX: 886-3-4697532

E-mail: tstsales@mail.taisaw.com Web: www.taisaw.com

Approval Sheet For Product Specification

Issued Date: 2007/5/28

Product Name: 156.8MHz IF SAW Filter (BW=15 MHz)

TST Parts No.: TB0399A

Customer Parts No.: _____

Company: _____
Division: _____
Approved by : _____
Date: _____

Checked by: _____ Andy Yu

Approval by: _____ Francis Chen

Date: _____ 2007/05/28



TAI-SAW TECHNOLOGY CO., LTD.

No.3, Industrial 2nd Rd., Ping-Chen Industrial District, Taoyuan, Taiwan, R.O.C.

TEL: 886-3-4690038 FAX: 886-3-4697532

E-mail: tstsales3@mail.taisaw.com Web: www.taisaw.com

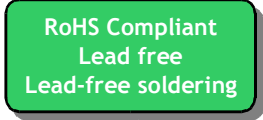
SAW Filter 156.8MHz (SMD 13.3×6.5 mm)

Model No.: TB0399A

Rev. No.:1.0

A. MAXIMUM RATING:

1. Input Power Level: 10 dBm
2. Operating Temperature: -30°C to +60°C
3. Storage Temperature: -40°C to +85°C



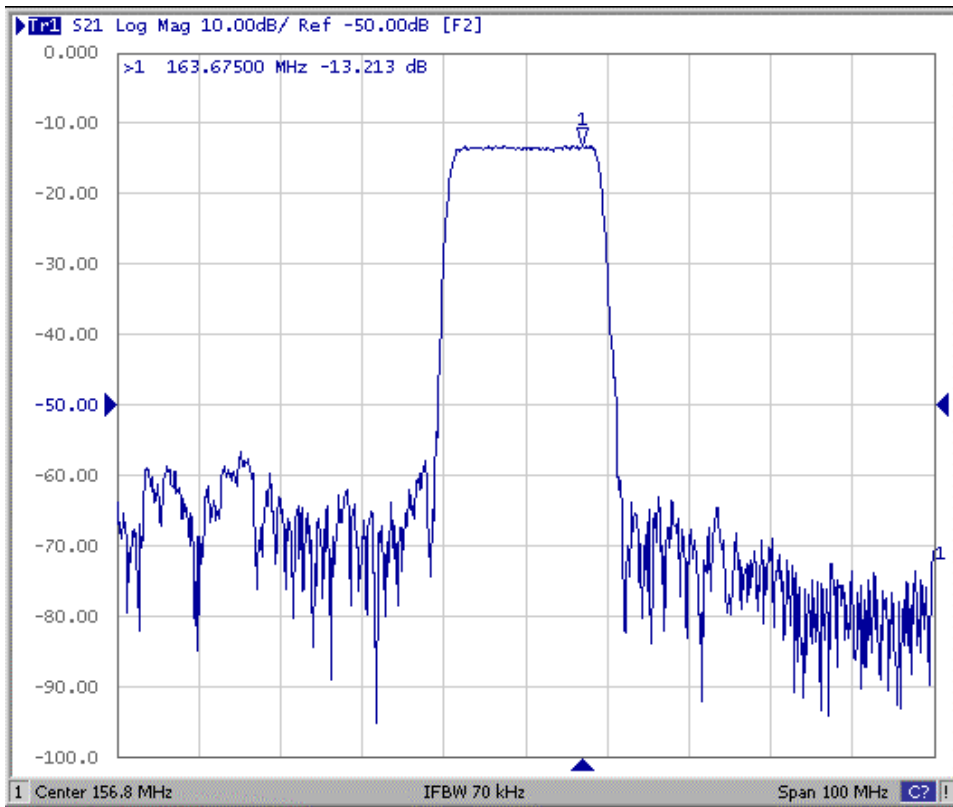
B. Characteristics :

1. Ambient Temperature: 25 °C

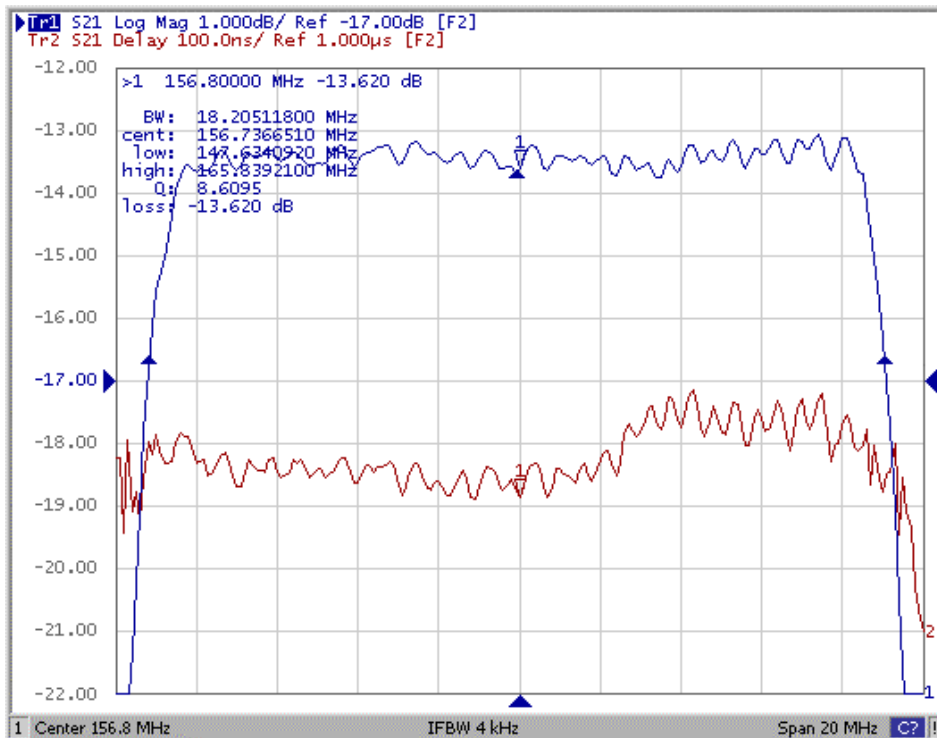
Characteristics	Value			Note
	Min.	Typ.	Max.	
Center frequency F_c MHz	-	156.8	-	-
Minimum Insertion loss I.L. dB	-	12.5	14	-
Ripple ($F_c+7.5\text{MHz} \sim F_c-7.5\text{MHz}$) MHz	-	0.7	1	
3 dB Bandwidth MHz	15	18.1	-	
40 dB Bandwidth MHz	-	22.0	23	
Substrate Material		YZLNO ₃		
Temperature Coefficient ppm/°C		-94		
Relative Rejection (Reference to Minimum Insertion loss)				
1)10~144MHz dB	40	44		
2)170~326MHz dB	40	48		

C. Frequency Characteristics :

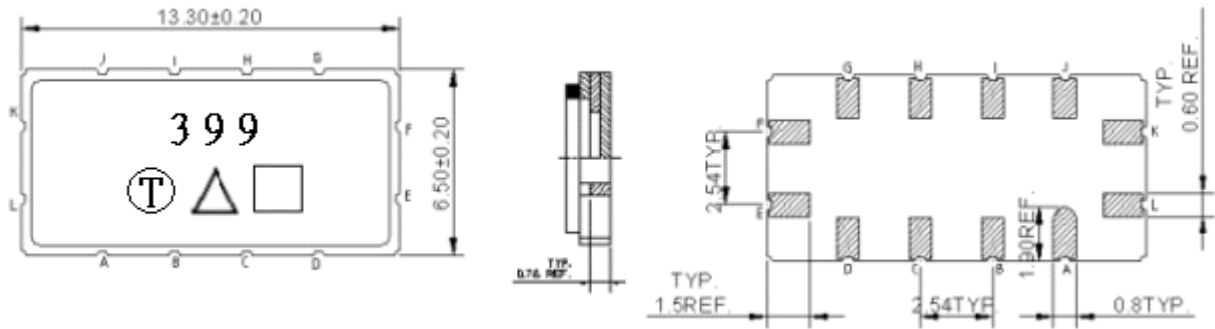
(1) Frequency Response: (span:100MHz)



(2) Passband response and Group Delay Variation: (span:20MHz)



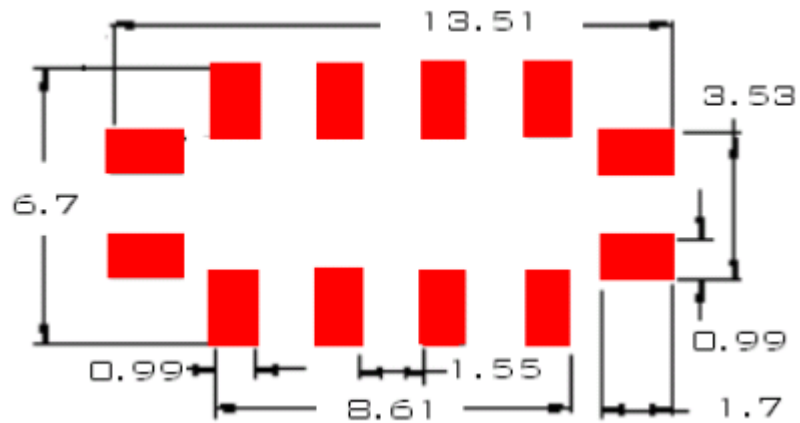
D. Outline Drawing:



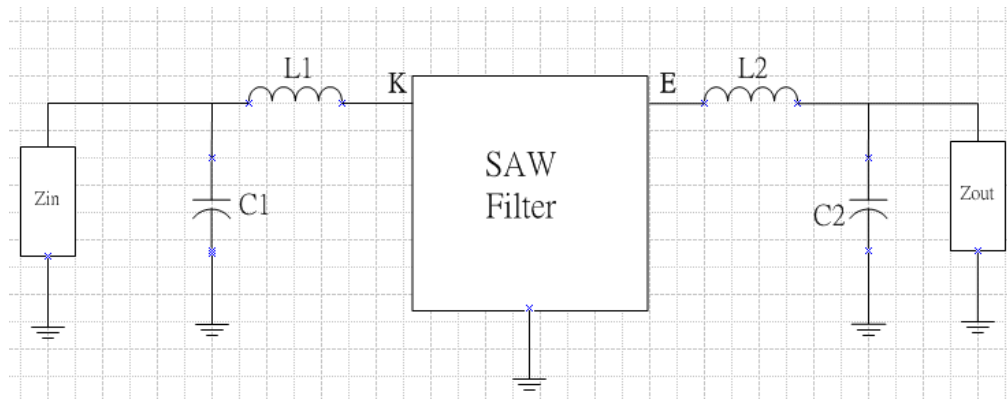
- Pin K: RF Balance input +
- Pin L: RF Balance input -
- Pin E: RF Balance output +
- Pin F: RF Balance output -
- Pin A, B, C, D, G, H, I, J: To be Ground
- : Week Code (Follow the table from planner each year)
- Unit : mm
- △ : Product / Year Code

Year	2005 2009	2006 2010	2007 2011	2008 2012
Product Code	B	b	<u>B</u>	<u>b</u>

E. PCB Footprint:



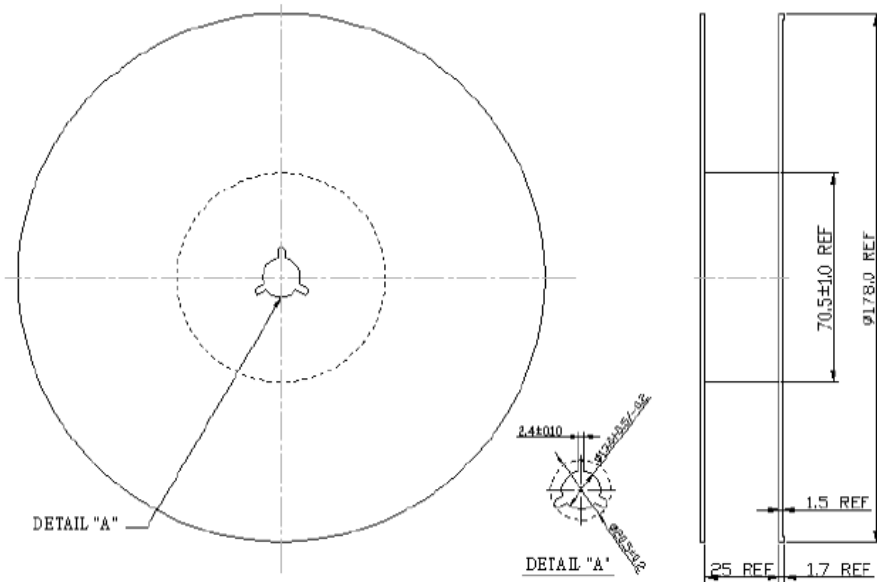
F. Matching Circuit:



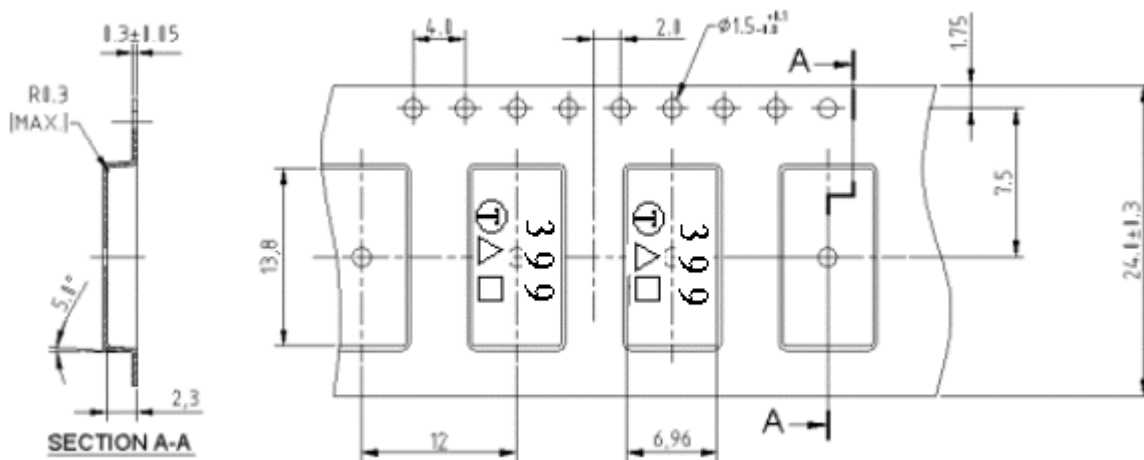
Zin: 50 ohm, Zout: 50 ohm.
L1=82nH, C1=24pF, L2=47nH, C2=15pF

G. Packing:

(1). REEL DIMENSION:



(2). TYPE DIMENSION:



H. Recommended Reflow Profile:

