

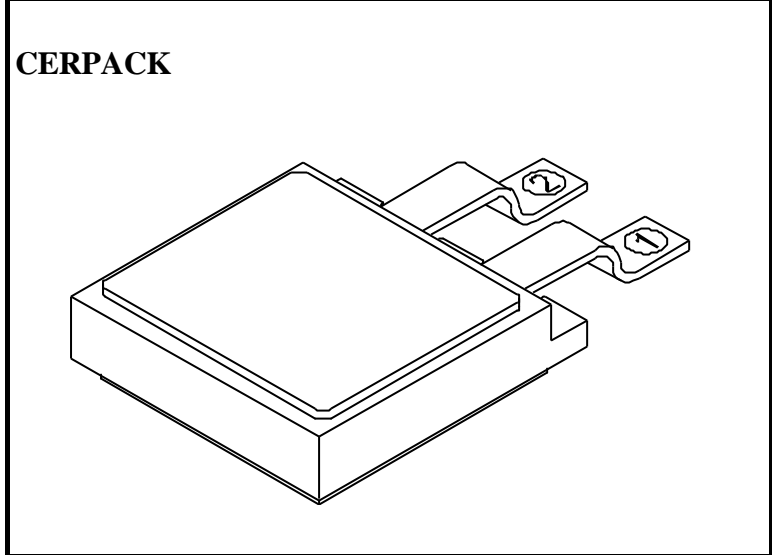


Solid State Devices, Inc.

14701 Firestone Blvd * La Mirada, CA 90638
 Phone: (562) 404-7855 * Fax: (562) 404-1773
 ssdi@ssdi-power.com * www.ssdi-power.com

**SDR623G
 Thru
 SDR626G**

DESIGNER'S DATA SHEET ^{1/}



**20A 35nsec 300-600 V
 Hyper Fast Rectifier**

- Features:**
- Hyper Fast Recovery: 35nsec Maximum ^{3/}
 - High Surge Rating
 - Low Reverse Leakage Current
 - Low Junction Capacitance
 - Hermetically Sealed Package
 - Gold Eutectic Die Attach
 - Ultrasonic Aluminum Wire Bonds
 - TX, TXV, and S-Level Screening Available ^{2/}

Maximum Ratings		Symbol	Value	Units
Peak Repetitive Reverse Voltage	SDR623G SDR624G SDR625G SDR626G	V_{RRM} V_{RWM} V_R	300 400 500 600	Volts
Average Rectified Forward Current ^{4/} (Resistive Load, 60 Hz Sine Wave, T _A = 25 °C)		I _o	20	Amps
Peak Surge Current ^{4/} (8.3 ms Pulse, Half Sine Wave, T _A = 25 °C)		I _{FSM}	200	Amps
Operating & Storage Temperature		T _{OP} & T _{STG}	-65 to +200	°C
Maximum Total Thermal Resistance Junction to Case ^{4/}		R _{qJC}	1.0	°C/W

Notes:

1/ For ordering information, Price, Operating Curves, and Availability- Contact Factory.
 2/ Screened to MIL-PRF-19500.
 3/ Recovery Conditions: I_F = 0.5 Amp, I_R = 1.0 Amp, rec. to .25 Amp.
 4/ Both Legs Tied Together.



Solid State Devices, Inc.

14701 Firestone Blvd * La Mirada, CA 90638
 Phone: (562) 404-7855 * Fax: (562) 404-1773
 ssdi@ssdi-power.com * www.ssdi-power.com

**SDR623G
 Thru
 SDR626G**

Electrical Characteristics ^{1/}		Symbol	Max	Units
Instantaneous Forward Voltage Drop (I _F = 10Adc, Pulse) (I _F = 20Adc, Pulse)	T _A = 25 °C	V _{F1}	1.40	V _{DC}
	T _A = 25 °C	V _{F2}	1.60	
Instantaneous Forward Voltage Drop (I _F = 20Adc, Pulse)	T _A = -55 °C	V _{F3}	1.70	V _{DC}
Reverse Leakage Current (100% of rated V _R , Pulse)	T _A = 25 °C	I _{R1}	50	mA
	T _A = 100 °C	I _{R2}	5	mA
Reverse Recovery Time (I _F = 0.5A, I _R = 1A, I _{RR} = 0.25A, T _A = 25°C)		t _{RR}	35	nsec
Junction Capacitance (V _R = 10V _{DC} , T _A = 25°C, f = 1MHz)		C _J	150	pF

Notes: ^{1/} Both Legs Tied Together.

PIN ASSIGNMENT			
PACKAGE	Pin 1	Pin 2	Pin 3 (Case)
CERPACK	Anode	Anode	Cathode

