

PLEASE CHECK WWW.MOLEX.COM FOR LATEST PART INFORMATION

Part Number: **0191640082**
Status: **Active**
Description: Perma-Seal™ Ring Tongue Terminal for 8 AWG Wire, Stud Size 3/8

Documents:
[Drawing \(PDF\)](#) [RoHS Certificate of Compliance \(PDF\)](#)

Agency Certification

CSA LR18689
 UL E32244

General

Product Family Ring and Spade Terminals
 Series 19164
 Crimp Quality Equipment Yes
 Mil-Spec N/A
 Product Name Perma-Seal™
 Type Ring

Physical

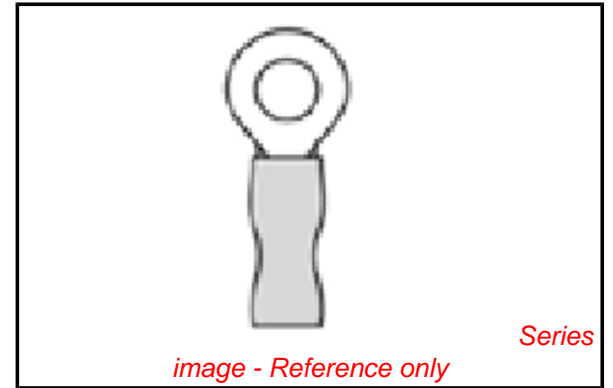
Barrel Type Closed
 Flammability 94V-0
 Insulation NiAc™
 Material - Plating Mating Tin
 Packaging Type Bag
 Stud Size 3/8" (M9)
 Termination Interface: Style Crimp or Compression
 Wire Insulation Diameter 9.53mm (.375")
 Wire Size AWG 8
 Wire Size mm² 7.96

Material Info

Old Part Number SD-652-38

Reference - Drawing Numbers

Sales Drawing SD-19164-023



EU RoHS

ELV and RoHS Compliant
REACH SVHC Contains SVHC: No
Halogen-Free Status

China RoHS



Not Reviewed

Need more information on product environmental compliance?

Email productcompliance@molex.com
 For a multiple part number RoHS Certificate of Compliance, [click here](#)

Please visit the [Contact Us](#) section for any non-product compliance questions.

Search Parts in this Series

19164Series

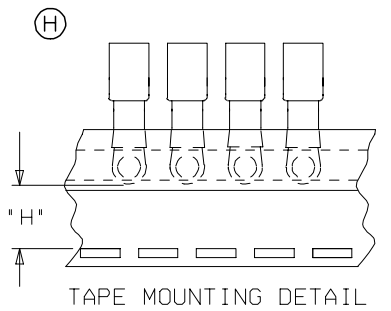
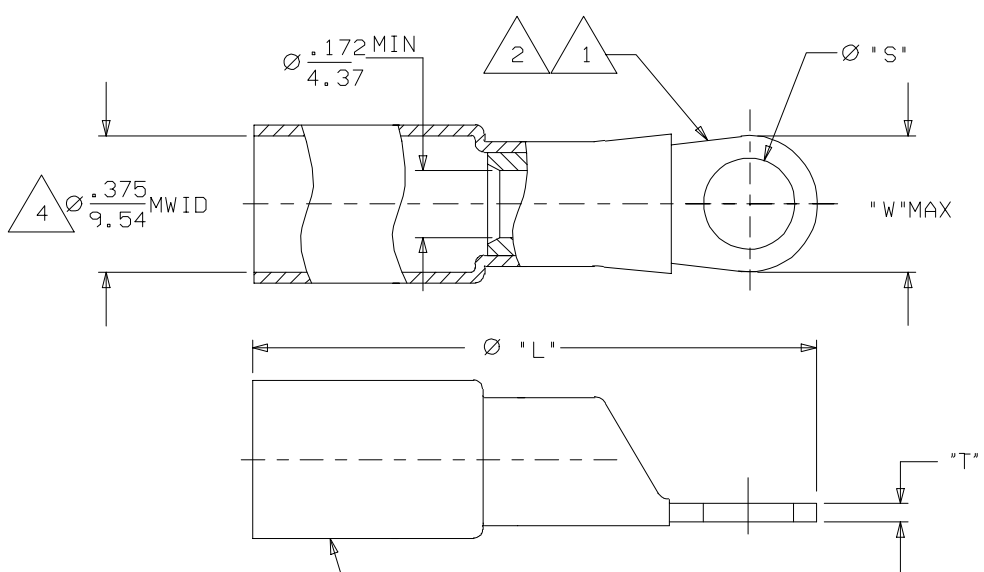
Application Tooling | FAQ

Tooling specifications and manuals are found by selecting the products below. Crimp Height Specifications are then contained in the Application Tooling Specification document.

Global

Description	Product #
Hand Crimp Tool	0640013900
Crimp Head for the AT-200™ Pneumatic Hand Tool	0640050100
Crimp Head for the AT-200™ Pneumatic Hand Tool	0640055400

MATERIAL NUMBER	ENGINEERING NUMBER	MATERIAL NUMBER ON TAPE	ENGINEERING NUMBER ON TAPE	"L" MAX	"S" ±.010 (0.25)	"W" MAX	"H" ±.010 (0.25)	"T" REF
191640889	SD-656-08	N/A	N/A	1.60 (40.6)	.173 (4.39)	.38 (9.7)	N/A	.045/1.14
191640080	SD-656-10	N/A	N/A	1.60 (40.6)	.214 (5.44)	.38 (9.7)	N/A	.045/1.14
191640081	SD-651-14	191640603	SD-651-14T	1.79 (45.5)	.280 (7.11)	.60 (15.2)	.348 (8.84)	.045/1.14
191640083	SD-651-56	191640605	SD-651-56T	1.79 (45.5)	.343 (8.71)	.60 (15.2)	.348 (8.84)	.045/1.14
191640082	SD-652-38	N/A	N/A	2.05 (51.1)	.405 (10.29)	.82 (20.8)	N/A	.050/1.27
191640839	SD-652-76	N/A	N/A	2.05 (52.1)	.468 (11.89)	.82 (20.8)	N/A	.050/1.27
191640457	SD-652-12	N/A	N/A	2.05 (52.1)	.530 (13.46)	.82 (20.8)	N/A	.050/1.27



NOTE(S):

- 1 TERMINAL MATERIAL: COPPER ALLOY.
- 2 FINISH: ELECTRO TIN PLATE.
- 3 INSULATION MATERIAL: HEAT SHRINKABLE TUBING WITH HOTMELT ASHESIVE INNER LINER. COLOR: RED.
- 4 MWID - MAXIMUM WIRE INSULATION DIAMETER.
- (H) 5. ASSEMBLY IS ROHS COMPLIANT.

CHARTED DIM. T & ADDED ROHS EC NO: ETC2007-0019 2007/08/22 DRW: NEHLE 2007/09/11 CHKD: JMACNEIL 2007/09/11 APPR: JMACNEIL 2007/09/19	QUALITY SYMBOLS	GENERAL TOLERANCES (UNLESS SPECIFIED)	DIMENSION STYLE IN/MM	SCALE 4:1	DESIGN UNITS INCH	THIRD ANGLE PROJECTION																											
	$\nabla=0$ $\nabla=0$	<table border="1"> <thead> <tr> <th></th> <th>mm</th> <th>INCH</th> </tr> </thead> <tbody> <tr> <td>4 PLACES</td> <td>±----</td> <td>±----</td> </tr> <tr> <td>3 PLACES</td> <td>±----</td> <td>±----</td> </tr> <tr> <td>2 PLACES</td> <td>±----</td> <td>±----</td> </tr> <tr> <td>1 PLACE</td> <td>±----</td> <td>±----</td> </tr> </tbody> </table>		mm	INCH	4 PLACES	±----	±----	3 PLACES	±----	±----	2 PLACES	±----	±----	1 PLACE	±----	±----	<table border="1"> <thead> <tr> <th>DRAWN BY</th> <th>DATE</th> </tr> </thead> <tbody> <tr> <td>R DEROSS</td> <td>2005/01/04</td> </tr> <tr> <th>CHECKED BY</th> <th>DATE</th> </tr> <tr> <td>R DEROSS</td> <td>2005/01/04</td> </tr> <tr> <th>APPROVED BY</th> <th>DATE</th> </tr> <tr> <td>R DEROSS</td> <td>2005/01/04</td> </tr> </tbody> </table>	DRAWN BY	DATE	R DEROSS	2005/01/04	CHECKED BY	DATE	R DEROSS	2005/01/04	APPROVED BY	DATE	R DEROSS	2005/01/04	TITLE	RING TONGUE TERMINAL PERMA-SEAL SD-600-SERIES 8 AWG	
		mm	INCH																														
	4 PLACES	±----	±----																														
3 PLACES	±----	±----																															
2 PLACES	±----	±----																															
1 PLACE	±----	±----																															
DRAWN BY	DATE																																
R DEROSS	2005/01/04																																
CHECKED BY	DATE																																
R DEROSS	2005/01/04																																
APPROVED BY	DATE																																
R DEROSS	2005/01/04																																
REV	DESCRIPTION	DRAFT WHERE APPLICABLE MUST REMAIN WITHIN DIMENSIONS	SEE CHART	MATERIAL NO.	DOCUMENT NO.	SHEET NO.																											
H				SD-19164-023	SD-19164-023	1 OF 1																											