

## Peak Emission Wavelength: 1550nm

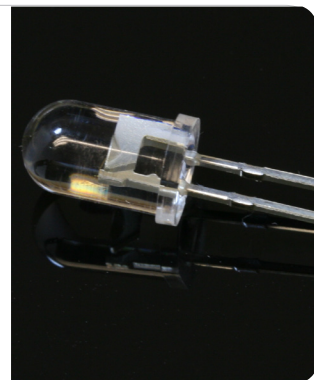
The MT51550-IR is an infrared T 1 3/4, 5mm water clear LED designed for applications requiring high power and high speed packaged with the lens optimized to produce a narrow viewing angle.

### FEATURES

- > High Power Output
- > High Speed
- > Straight Leads

### APPLICATIONS

- > Optical Communications
- > Safety Equipment / Automation
- > Coin / Currency Validation



## Absolute Maximum Ratings (Ta=25°C)

ITEMS	SYMBOL	RATINGS	UNIT
Forward Current	IF	100	mA
Peak Forward Current*1	IFP	200	mA
Power Dissipation	PD	150	mW
Operating Temperature Range	Topr	-20 ~ +80	°C
Storage Temperature Range	Tstg	-55 ~ +100	°C
Lead Soldering Temperature*2	Tls	260	°C

\*1: Test Conditions:  $t_p \leq 50\mu s$ ,  $t_p/T = 1/2$ . \*2: Time 5 Sec max, Position: Up to 3mm from case.

## Electrical & Optical Characteristics (Ta = 25°C)

ITEMS	SYMBOL	CONDITIONS	MIN	TYP	MAX	UNIT
Forward Voltage	VF	IF=20mA	--	0.75	0.90	V
Forward Voltage	VF	IF=100mA	--	0.85	--	V
Reverse Voltage	VR	IR=10μA	5	--	--	V
Radiant Power	Φe	IF=20mA	1.1	1.4	--	mW
Radiant Power	Φe	IF=100mA	--	5.0	--	mW
Peak Emission Wavelength	λp	IF=100mA	1530	1550	1570	nm
Spectral Bandwidth at 50%	Δλ <sub>0.5</sub>	IF=100mA	--	130	--	nm
Viewing Angle	Θ	IF=100mA	--	20	--	deg.
Switching Time	T <sub>R</sub> , T <sub>F</sub>	IF=100mA	--	10	--	ns

**RADIATION**

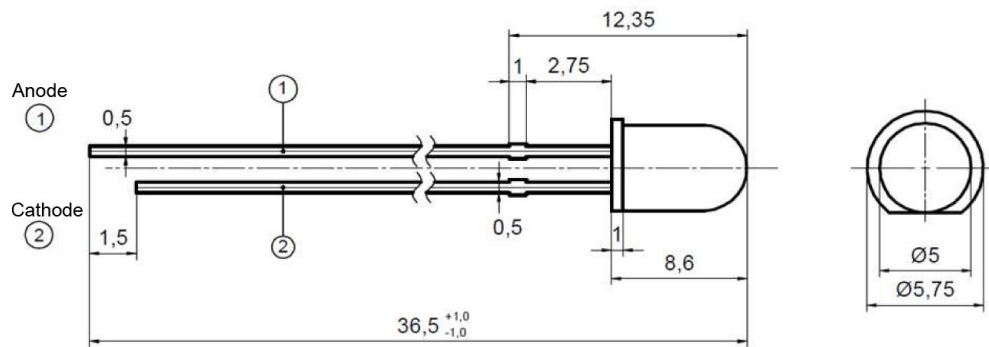
Infrared

**TYPE**

MQW

**CASE**

5mm Plastic Lens



Unit: mm