

SPECIFICATIONS:

ELECTRICAL:-

CURRENT RATING: 50 mA, 12V DC

DIELECTRIC STRENGTH: 250V AC/1 MINUTE

CONTACT RESISTANCE: 100 mΩ MAX.

INSULATION RESISTANCE: 100 MΩ MIN. AT 500V DC

MECHANICAL:-

DURABILITY: 200 000 CYCLES FOR 160 gf

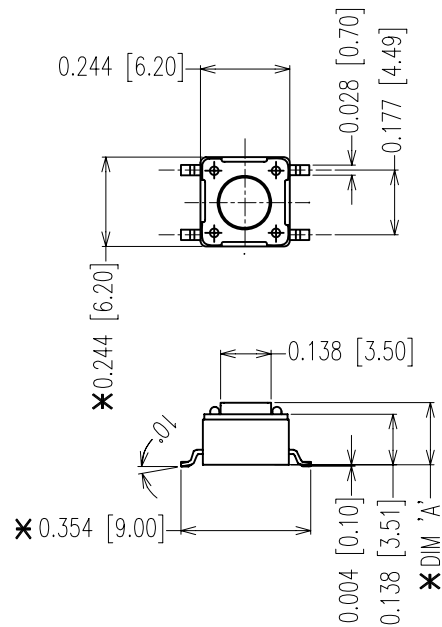
100 000 CYCLES FOR 260gf

NOTES: ALL DIMENSIONS AND NOTES

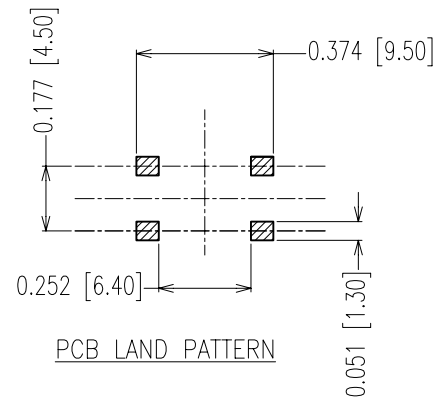
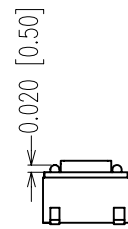
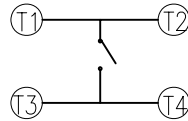
MARKED * ARE CRITICAL AND

MUST BE CHECKED IN ACCORDANCE

WITH QUALITY DOC. Q1-02A



CIRCUIT DIAGRAM



A	OPERATION FORCE	COLOUR
1	160±50gf (N)	BROWN
2	260±50gf (R)	RED

B	DIM. "A"
1	4.30(.169)
2	5.00(.197)
3	7.00(.276)
4	7.30(.287)
5	9.50(.374)
6	13.00(.512)

Allan	1	01.08.06	-
NAME	ISS.	DATE	C/NOTE

APPROVED:

CHECKED:

DRAWN: Allan

CUSTOMER REF.:

ASSEMBLY DRG:

ORDER CODE

M801-31 X 0 X 00R

A: 1,2 — B: 1,2,3,4,5,6

TOLERANCES

0.00mm TO 30.00mm = ±0.20mm

30.01mm TO 80.00mm = ±0.25mm

80.01mm TO 150.00mm = ±0.30mm

ABOVE 150.00mm = ±0.40mm

HARWIN

HARWIN USA
TEL: 603 893 5376
FAX: 603 893 5396
mis@harwin.com

HARWIN Europe (UK)
TEL: 023 9231 4545
FAX: 023 9231 4590
mis@harwin.co.uk

HARWIN Asia
TEL: +65 6 779 4909
FAX: +65 6 779 3868
mis@harwin.com.sg

THIS DRAWING AND ANY INFORMATION OR DESCRIPTIVE MATTER SET OUT HEREON ARE CONFIDENTIAL AND COPYRIGHT PROPERTY OF THE HARWIN GROUP AND MUST NOT BE DISCLOSED, LOANED, COPIED OR USED FOR MANUFACTURING, TENDERING OR FOR ANY OTHER PURPOSE WITHOUT THEIR WRITTEN PERMISSION.

TOLERANCES

X. = ±1mm

X.X = ±0.25mm

X.XX = ±0.10mm

X.XXX = ±0.01mm

ANGLES = ±5°

UNLESS STATED

MATERIAL:

SEE NOTES

FINISH:

SEE NOTES

S/AREA:

mm²

TITLE:

M801 SERIES TACT SWITCH

DRAWING NUMBER:

M801-31 X 0 X 00R

SHT
1
OF
1