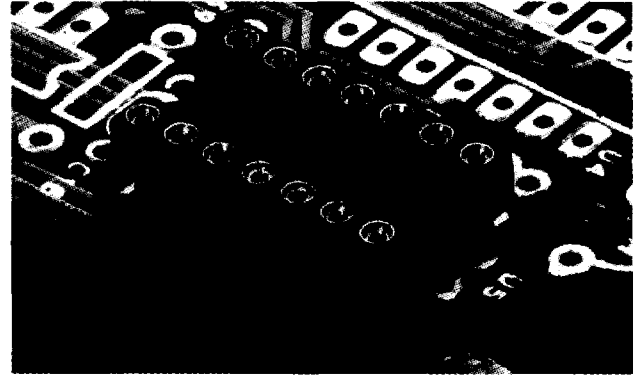
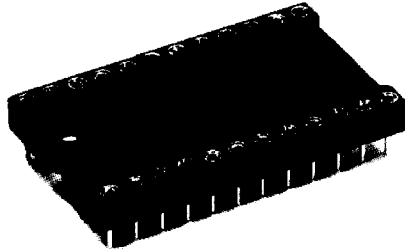


Standard & High Temperature Closed Frame DIP Sockets

Conforms to NECQ/EIA 540D000 & 540DAAA Standards



Features:

- Multiple finger contact on all sockets assures maximum reliability.
- Tapered entry for ease of insertion.
- Closed bottom sleeve for 100% anti-wicking of solder.
- To fit .100" (2.54 mm) pitch.
- Easily customized to fit your application.
- For surface mount applications use HDS only.

Terminals and Contacts:

Terminal: Brass - Copper Alloy 360, ASTM-B-16

Contact: Beryllium Copper - Copper Alloy 172, ASTM-B-194

Plating:

Terminal: Gold over Nickel or Tin-Lead over Nickel

Contact: Gold over Nickel or Tin-Lead over Nickel

Gold per MIL-G-45204

Tin-Lead per MIL-P-81728

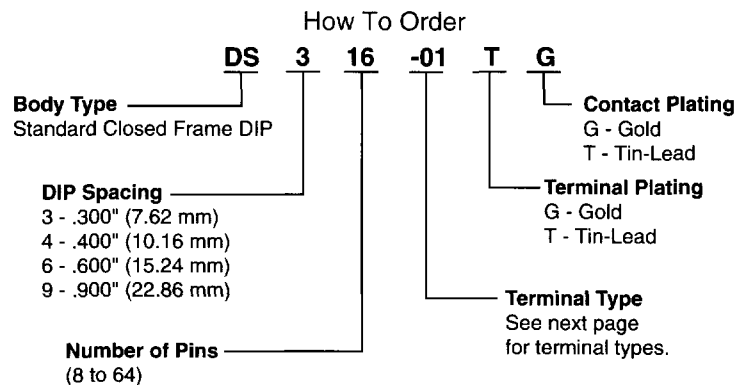
Nickel per QQ-N-290

Standard Sockets

DS - Insulator Material:

Glass Filled Thermoplastic Polyester (P.B.T.)

U.L. Rated 94V-O, -60°C to 140°C (-76°F to 284°F)

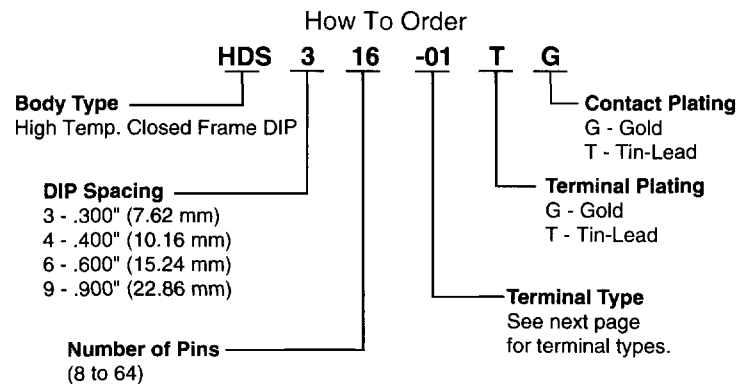


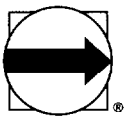
High Temperature Sockets

HDS - Insulator Material:

High Temp. Glass Filled Thermoplastic

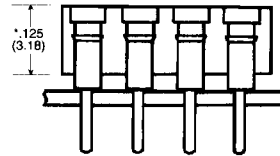
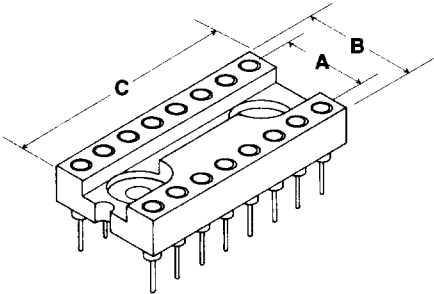
U.L. Rated 94V-O, -60° C to 260°C (-76°F to 500°F)





Standard & High Temperature Closed Frame DIP Sockets

Conforms to NECQ/EIA 540D000 & 540DAAA Standards



* .125/(3.18) = molded socket body thickness

For 22, 24, 48 & 64 positions, FR-4 socket body thickness = .062/(1.57)

Dimensional Information

# of Pins	A	B	C
8	.300 (7.62)	.400 (10.16)	.400 (10.16)
14	.300 (7.62)	.400 (10.16)	.700 (17.78)
16	.300 (7.62)	.400 (10.16)	.800 (20.32)
18	.300 (7.62)	.400 (10.16)	.900 (22.86)
20	.300 (7.62)	.400 (10.16)	1.000 (25.40)
22*	.300 (7.62)	.400 (10.16)	1.100 (27.94)
24*	.300 (7.62)	.400 (10.16)	1.200 (30.48)
22	.400 (10.16)	.500 (12.70)	1.100 (27.94)
24*	.400 (10.16)	.500 (12.70)	1.200 (30.48)
24	.600 (15.24)	.700 (17.78)	1.200 (30.48)
28	.600 (15.24)	.700 (17.78)	1.400 (35.56)
40	.600 (15.24)	.700 (17.78)	2.000 (50.80)
48*	.600 (15.24)	.700 (17.78)	2.400 (60.96)
64*	.900 (22.86)	1.000 (25.40)	3.200 (81.28)

* Note: FR-4 only. Use GS for body type when ordering.

Also available in Open Frame, LS series, see page 8.

Terminal Information

Low Profile Solder Tail Type -01

Low Profile Solder Tail Type -29

Low Profile Solder Tail Type -30

Surface Mount Type -37 HDS Only

Low Profile Solder Tail Type -51

Wire Wrap® Type -02, -03

⌚ Quick turn delivery available on standard terminal types.

Additional terminal types available. See terminal section for detailed terminal information.

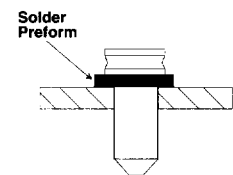
Socket Options



RTV Sealed - Pg. 36



Tape Sealed - Pg. 37



Solder Preform - Pg. 35

See designated pages for how to order information on these socket options.