



GG-1508-20

The GG-1508-20 power converter is a nominal 36 volt to 13.8 volt dc—dc converter. This device is designed for use on trains, buses, trucks, or other automotive devices where clean regulated electrical power is required.

The input of the converter is protected against polarity connections. The converter is also protected against thermal and over voltage input with automatic recovery.

The converter can handle vibration and shock as is normally encountered in the automotive environment and storage temperatures of 85°C.

Environmental Specifications:

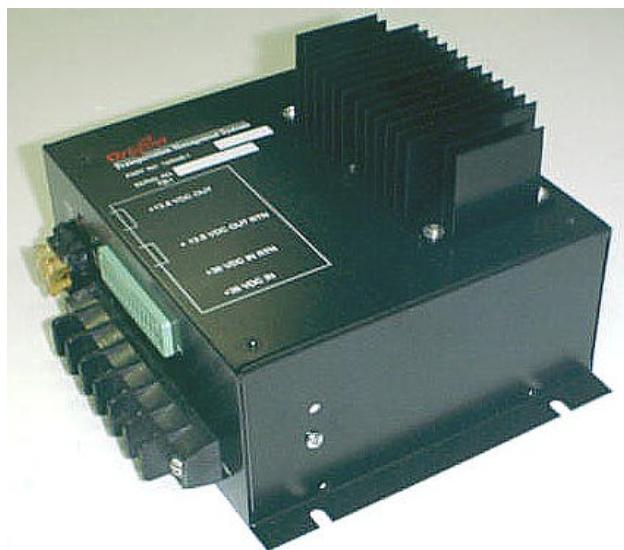
- Operating Temp.: _____ -40 to 50°C²
- Storage temp: _____ -40 to 85°C
- Sealing: _____ Splash proof and Dust proof
- Humidity: _____ 0 to 95% non condensing
- Shock: _____ Mil-Std-810, Procedure I, functional shock for ground vehicles.
- Vibration; _____ Mil-Std-810, Category 8 for Equipment installed in wheeled vehicles.

Performance Specifications:

- Input Voltage range = 21 to 42 VDC
- Output Voltage = 13.8 VDC
- Power output = 300 Watts continuous @13.8 VDC
- Ripple < 1% of output
- Regulation = +/- 2% Line/Load
- DC Isolation (Input/Output, Input/ Chassis, Output Chassis) = 1000VDC
- Efficiency = 87%
- Under voltage lockout = 17.5 volts in—ON
20.2 volts in—OFF
Auto recovery
- Over voltage shutdown = 43.0 volts
- Short circuit protection = automatic recovery
- Reverse polarity protected input
- 2 fused outputs

Physical Specifications:

- Size: _____ 7.0 x 7.0 x 5.0h
- Finish: _____ Black enamel (baked)
- Mounting: _____ Bracket
- Net weight: _____ **TBD**
- Marking: _____ White permanent ink
- Orbital Logo: _____ Red paint (MS 485)

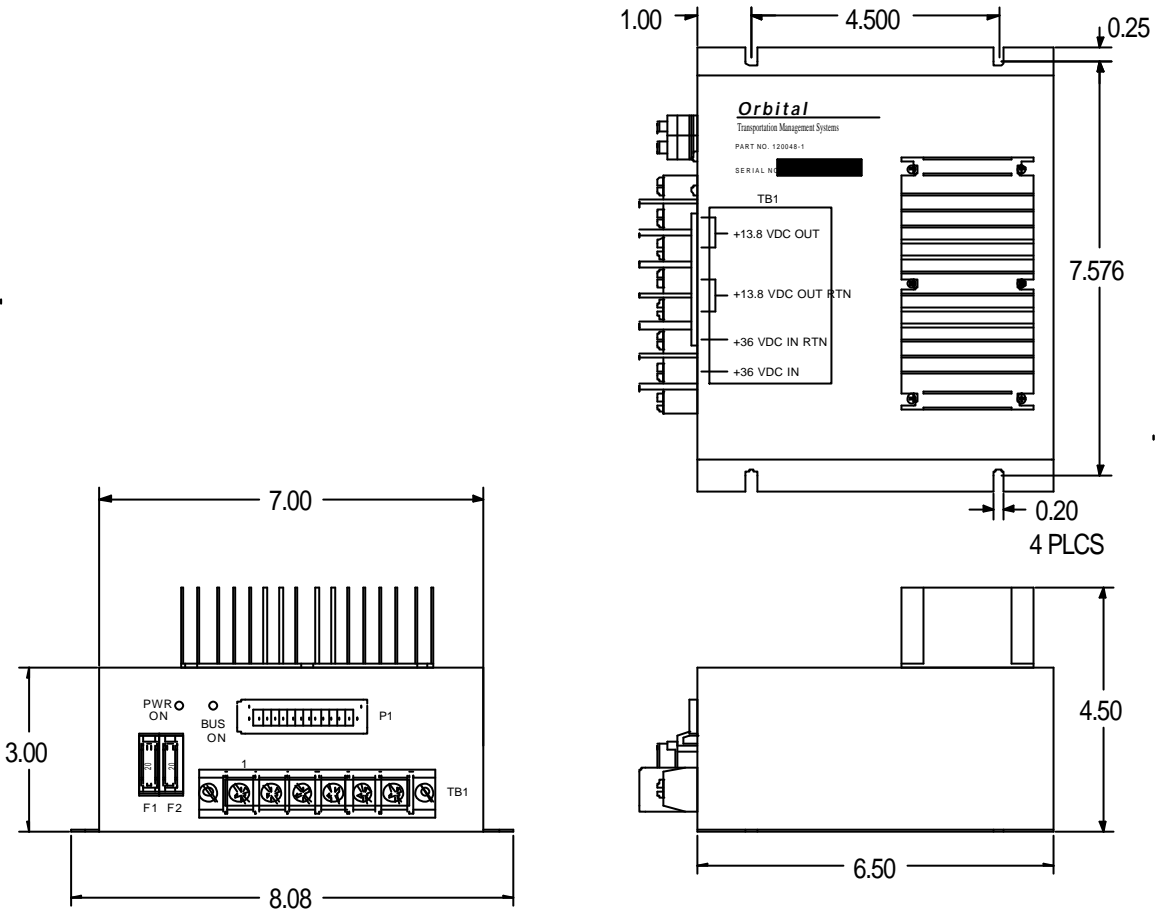


USA JMK Inc 15 Caldwell Dr. Amherst, NH 03031 PH: 603 886-4100 FX: 603 886-4115
email: info@jmkfilters.com

EUR JMK Inc Glasgow G13 1DN Scotland UK PH: 44-(0) 7785310729 FX: 44-(0) 141 589 1884



GG-1508-20



USA JMK Inc 15 Caldwell Dr. Amherst, NH 03031 PH: 603 886-4100 FX: 603 886-4115
email: info@jmkfilters.com
EUR JMK Ltd Dumbarton G82 2TS Scotland UK PH: 44-(0) 1389-751841 FX: 44-(0) 1389-751841