

PLEASE CHECK WWW.MOLEX.COM FOR LATEST PART INFORMATION

Part Number: [0472711009](#)
Status: **Active**
Overview: [displayport](#)
Description: Lower Inner Shell for DisplayPort* Cable Plug, Nickel overall plating

Documents:

[Drawing \(PDF\)](#) [RoHS Certificate of Compliance \(PDF\)](#)

General

Product Family	Accessories
Series	47271
Component Type	Shell
MolexKits	Yes
Overview	displayport
Product Name	DisplayPort*

Physical

Circuits (Loaded)	N/A
Circuits (maximum)	0
Gender	N/A
Lock to Mating Part	Yes
Material - Metal	Brass
Number of Rows	0
Packaging Type	Reel
Polarized to Mating Part	Yes
Temperature Range - Operating	-20°C to +85°C

Electrical

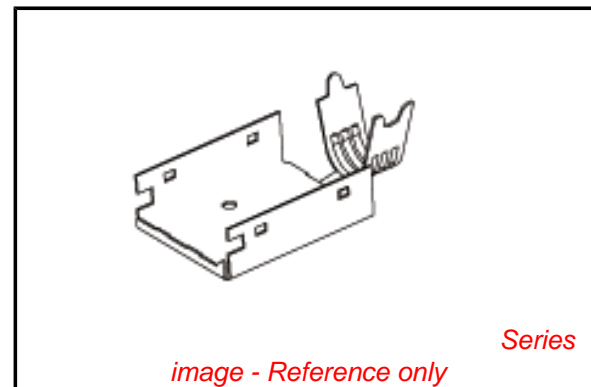
Current - Maximum per Contact	0.5A
-------------------------------	------

Material Info

Reference - Drawing Numbers

Sales Drawing	SD-47271-009
---------------	--------------

DisplayPort* is a Trademark of VESA



EU RoHS

**ELV and RoHS
Compliant**
**REACH SVHC
Contains SVHC: No**
**Halogen-Free
Status**

China RoHS



**Need more information on product
environmental compliance?**

Email productcompliance@molex.com
 For a multiple part number RoHS Certificate of
 Compliance, [click here](#)

Please visit the [Contact Us](#) section for any
 non-product compliance questions.

Search Parts in this Series
[47271Series](#)

10 9 8 7 6 5 4 3 2 1

F

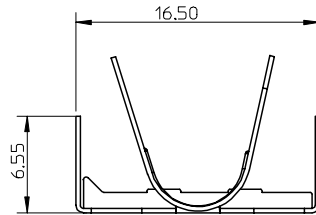
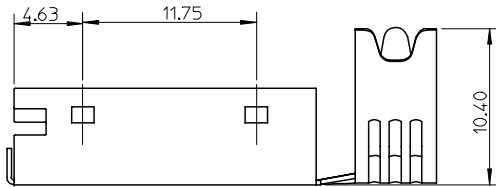
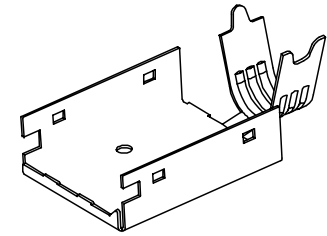
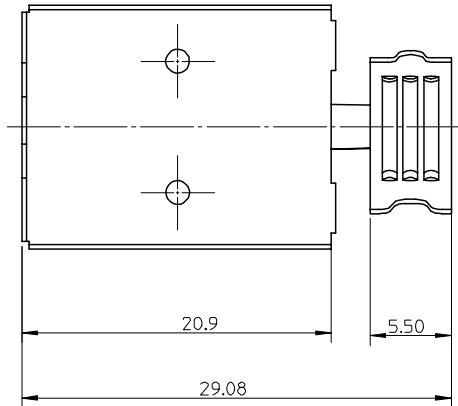
E

D

C

B

A



NOTES:

1. MATERIAL : 0.30 THICKNESS YELLOW BRASS.
2. PLATING : NICKEL 2.0 MICROMETER MIN OVERALL.

NEW RELEASE EC NO: SH2007-0705 DRWN:HHE 2007/04/27 CHKD:HWANG 2007/04/30 APPR: JNCHEN 2007/05/10	DESCRIPTION REV	QUALITY SYMBOLS	GENERAL TOLERANCES (UNLESS SPECIFIED)		DIMENSION STYLE	SCALE	DESIGN UNITS	THIRD ANGLE PROJECTION		
		$\nabla=0$ $\nabla C=0$	mm	INCH	MM ONLY	3:1	METRIC			
			4 PLACES ± ---	± ---	DRAWN BY	DATE	TITLE INNER-SHELL-LOWER FOR DISPLAYPORT			
			3 PLACES ± ---	± ---	QWFANG	2006/09/05				
	2 PLACES ± 0.2	± ---	CHECKED BY	DATE	MOLEX INCORPORATED					
	1 PLACE ± 0.2	± ---	IWANG	2006/09/05						
	ANGULAR ± ---°	± ---°	APPROVED BY	DATE	MATERIAL NO. 47271-1009 DOCUMENT NO. SD-47271-009 SHEET NO. 1 OF 1					
	DRAFT WHERE APPLICABLE MUST REMAIN WITHIN DIMENSIONS		JNCHEN	2006/09/05						
			SIZE A3		THIS DRAWING CONTAINS INFORMATION THAT IS PROPRIETARY TO MOLEX INCORPORATED AND SHOULD NOT BE USED WITHOUT WRITTEN PERMISSION					

9 8 7 6 5 4 3 2 1