

6

5

4

3

2

1

**MATERIAL AND FINISH:**

Insulator: Polycarbonate, UL-94V-0 rated

Contacts: IEC C13, 70°C: Brass

IEC C15, 120°C: Bronze

**ELECTRICAL SPECIFICATIONS:**

Current rating: 10 A

Voltage rating: 250 VAC

**ORDERING CODE:**

43R01-   1    1  
          1    2

**1) ELECTRICAL CIRCUIT CONFIGURATION**

1 = IEC C13, 10A 250V 70°C  
A DIN 49 457



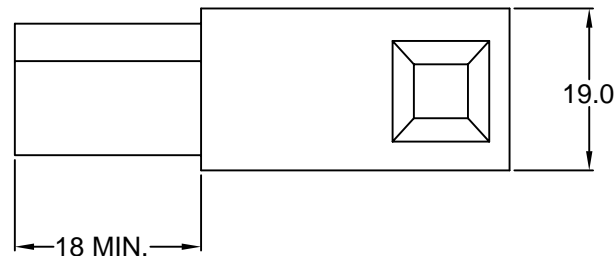
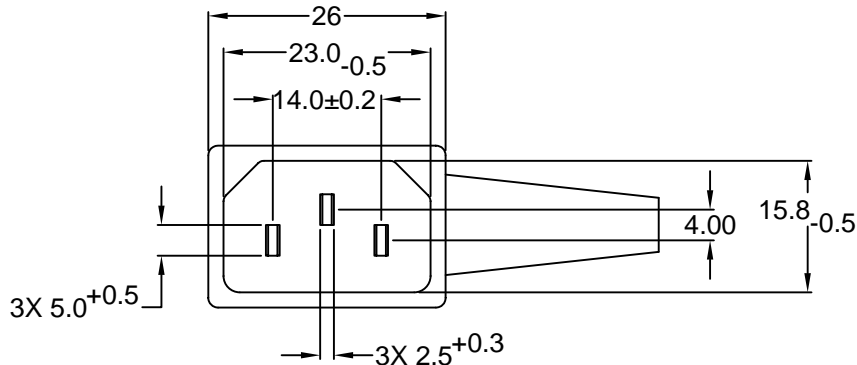
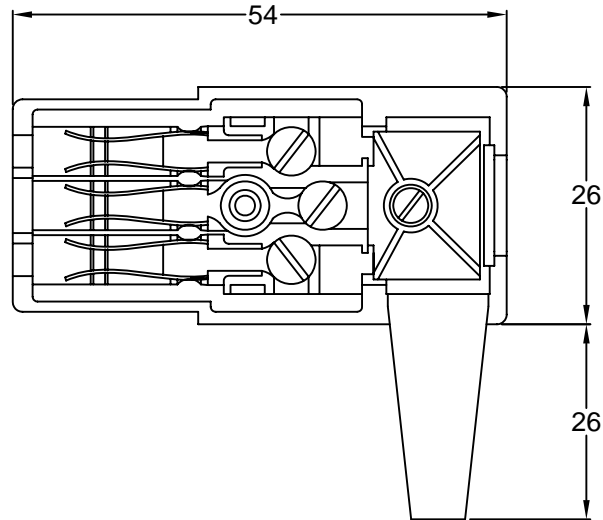
2 = IEC C15, 10A 250V 120°C  
D DIN 49 458



**2) COLOR**

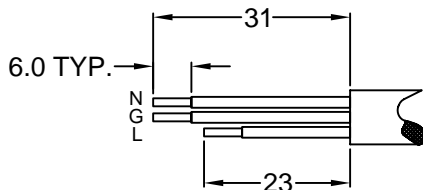
1 = BLACK

2 = GRAY



**NOTES:**

- 1. Contains integral cable clamp strain relief & internal screw type connections. Maximum wire gauge is 16AWG stranded.
- 2. Recommended screw torque: 1.2Nm
- 3. Recommended strip length for jacket and conductors:



**RoHS COMPLIANT**

REV	DATE	CHANGE	CHNG	CHK	APPR
			PB	PB	PB
A	1/25/07	ADD NOTES 2 & 3; RoHS			
B	6/9/10	ADD C15 CONTACT MATERIAL			

TOLERANCE UNLESS OTHERWISE SPECIFIED	
X	± 1
X.X	± 0.4
X.XX	± 0.20
DRAWN BY	GQ
DATE:	08/20/01
CHECK BY	TD
DATE:	08/22/01
APPR BY	PB
DATE:	08/22/01

**Power Dynamics, Inc.**  
Phone: 973 560-0019 Whippany, New Jersey Fax: 973 560-0076

PART: IEC 60320 C13 & C15 FEMALE POWER CORD  
PLUG, R/A LEFT HANDED CONNECTION

PART #: **43R01-X1X1** SHEET 1 of 1

SIZE: A ALL DIMENSIONS FOR REFERENCE ONLY  
SCALE: NTS DIMENSIONS ARE IN MILLIMETERS REV: B