

PLEASE CHECK WWW.MOLEX.COM FOR LATEST PART INFORMATION

Part Number: [0358431240](#)
Status: **Active**
Description: PT Bulb Socket, Sealed, Single Housing Assembly, Type D, Natural

Documents:

[3D Model](#) [Product Specification PS-35842-001 \(PDF\)](#)
[Drawing \(PDF\)](#) [RoHS Certificate of Compliance \(PDF\)](#)

General

Product Family	Other Sockets
Series	35843
Comments	D-Type
Component Type	Socket
Product Name	Bulb Socket

Physical

Circuits (Loaded)	2
Color - Resin	Natural
Durability (mating cycles max)	30
Entry Angle	Vertical
Keying to Mating Part	None
Material - Metal	Phosphor Bronze
Material - Resin	Nylon
PCB Locator	No
PCB Retention	N/A
Packaging Type	Bag
Pitch - Mating Interface (in)	0.000 In
Pitch - Mating Interface (mm)	0.00 mm
Temperature Range - Operating	-40°C to +105°C
Termination Interface: Style	Through Hole

Electrical

Current - Maximum per Contact	5A, 7A
Voltage - Maximum	12V

Material Info

Reference - Drawing Numbers

Product Specification	PS-35842-001
Sales Drawing	SD-35843-004

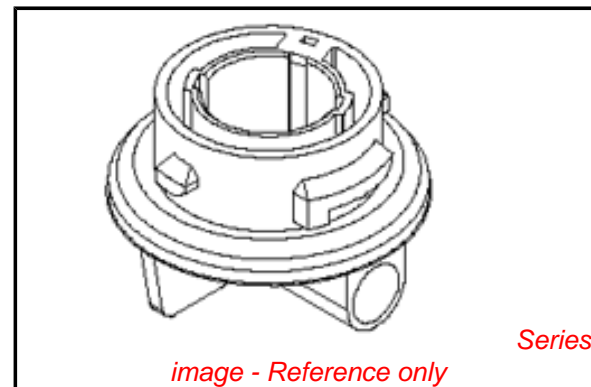


image - Reference only

EU RoHS

ELV and RoHS Compliant
REACH SVHC
 Not Reviewed
Halogen-Free Status

China RoHS



Need more information on product environmental compliance?

Email productcompliance@molex.com
 For a multiple part number RoHS Certificate of Compliance, [click here](#)

Please visit the [Contact Us](#) section for any non-product compliance questions.

Search Parts in this Series

[35843Series](#)

Mates With

Lamp

Use With

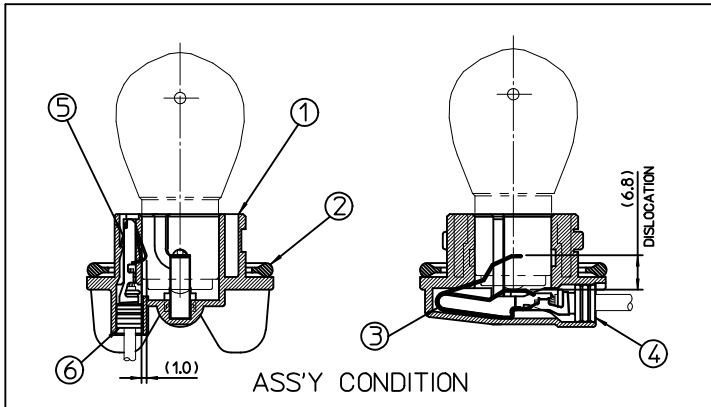
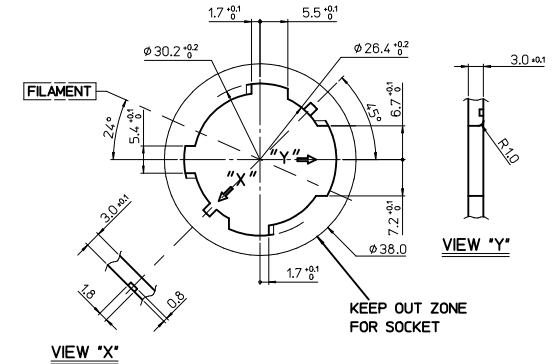
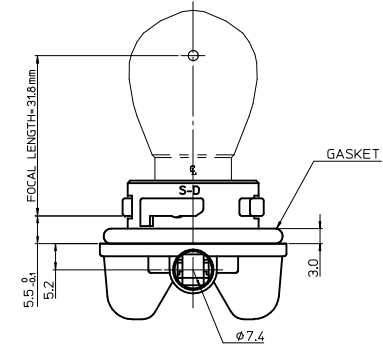
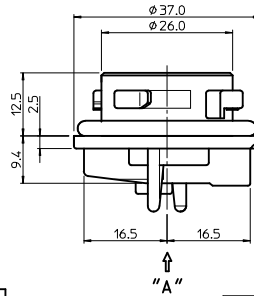
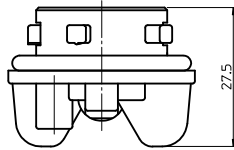
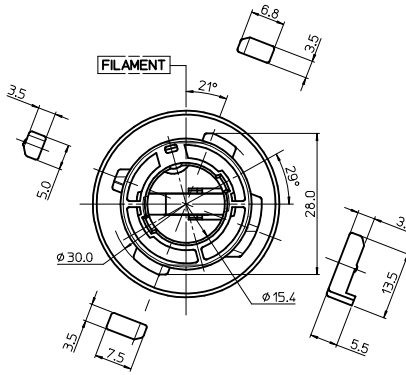
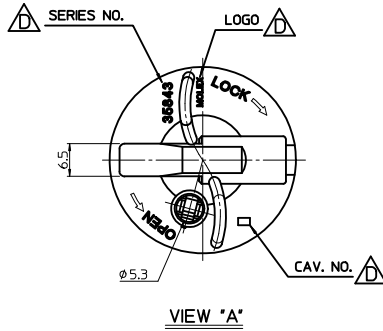
[35464](#) Positive Terminal for PT Bulb Socket,
[35465](#) Earth Terminal for PT Bulb Socket

- NOTES
 1. FOCAL LENGTH = 31.8mm
 2. PRODUCT SPECIFICATION: PS-35842-001
 3. APPLICABLE BULB CAP: P21W(BA15s)
 4. MATES WITH

<PART LIST>

NO.	DESCRIPTION	MATERIAL	USAGE	REMARK
①	SINGLE SOCKET	PA66 M/F	1	D TYPE
②	SEAL GASKET	NBR	1	BLACK

NO.	DESCRIPTION	MATERIAL	ORDER NO.	REMARK
③	POSITIVE TERMINAL	PHOSPHOR BRONZE	35464-8000	UNPLATED
④	POSITIVER WIRE SEAL	SILICONE	35903-0096	BROWN
⑤	EARTH TERMINAL	PHOSPHOR BRONZE	35465-8000	UNPLATED
⑥	EARTH WIRE SEAL	SILICONE	35903-0106	BLUE



<TABLE 1>

MATERIAL NO.	ORDER NO.	COLOR
358431240	35843-1240	NATURAL
358431245	35843-1245	GRAY
358431246	35843-1246	WHITE
358431247	35843-1247	BROWN

MOUNTING INTERFACE
(MI-4)

REVISED EC NO: KOR2010-0146 DRWNEOKIM 2010/04/05 CHKD-WYANG 2010/04/05 APPR: YUNSIKKIM 2010/04/06	QUALITY SYMBOLS ▽=0 ▽=0	GENERAL TOLERANCES (UNLESS SPECIFIED) mm INCH 4 PLACES ± --- ± --- 3 PLACES ± --- ± --- 2 PLACES ± 0.15 ± --- 1 PLACE ± 0.25 ± --- ANGULAR ± 2 °	DIMENSION STYLE MM ONLY	SCALE 1:1	DESIGN UNITS METRIC	THIRD ANGLE PROJECTION	
	DRAWN BY YSIKKIM	DATE 1999/06/08	TITLE SEALED PT BULB SOCKET SINGLE HOUSING ASS'Y (D-TYPE)	APPROVED BY CWLEE	DATE 1999/06/08	MATERIAL NO. SEE TABLE 1	DOCUMENT NO. SD-35843-004
	DRAFT WHERE APPLICABLE MUST REMAIN WITHIN DIMENSIONS	SIZE A3	THIS DRAWING CONTAINS INFORMATION THAT IS PROPRIETARY TO MOLEX INCORPORATED AND SHOULD NOT BE USED WITHOUT WRITTEN PERMISSION	MOLEX INCORPORATED	SHEET NO. 1 OF 1		