

PLEASE CHECK WWW.MOLEX.COM FOR LATEST PART INFORMATION

Part Number: [0358431236](#)
Status: **Active**
Description: PT Bulb Socket, Sealed, Single Housing Assembly, Type EC, White

Documents:

[3D Model](#) [Product Specification PS-35842-001 \(PDF\)](#)
[Drawing \(PDF\)](#) [RoHS Certificate of Compliance \(PDF\)](#)

General

Product Family	Other Sockets
Series	35843
Comments	EC-Type
Component Type	Socket
Product Name	Bulb Socket

Physical

Circuits (Loaded)	2
Color - Resin	White
Durability (mating cycles max)	30
Entry Angle	Vertical
Keying to Mating Part	None
Material - Metal	Phosphor Bronze
Material - Resin	Nylon
PCB Locator	No
PCB Retention	N/A
Packaging Type	Bag
Pitch - Mating Interface (in)	0.000 In
Pitch - Mating Interface (mm)	0.00 mm
Temperature Range - Operating	-40°C to +105°C
Termination Interface: Style	Through Hole

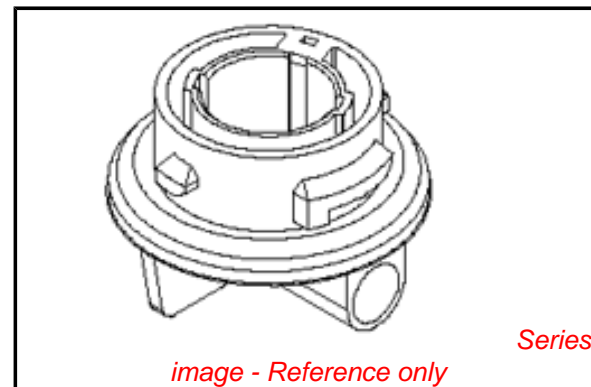
Electrical

Current - Maximum per Contact	5A, 7A
Voltage - Maximum	12V

Material Info

Reference - Drawing Numbers

Product Specification	PS-35842-001
Sales Drawing	SD-35843-005



EU RoHS

**ELV and RoHS
Compliant**
REACH SVHC
Not Reviewed
**Halogen-Free
Status**

China RoHS



**Need more information on product
environmental compliance?**

Email productcompliance@molex.com
For a multiple part number RoHS Certificate of
Compliance, [click here](#)

Please visit the [Contact Us](#) section for any
non-product compliance questions.

Search Parts in this Series

[35843Series](#)

Mates With

Lamp

Use With

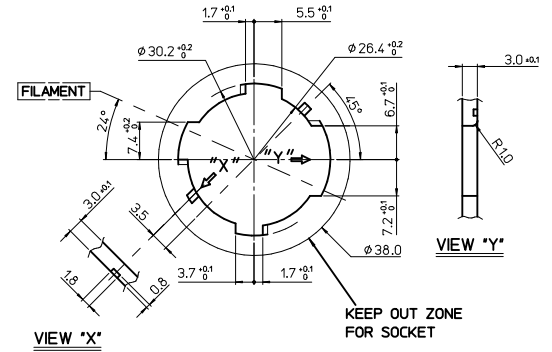
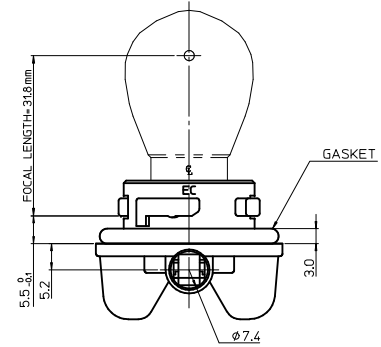
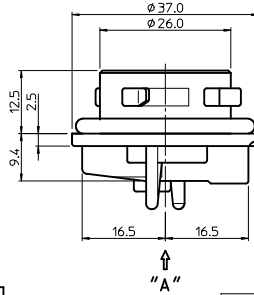
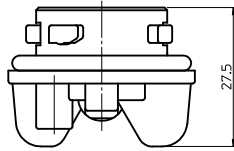
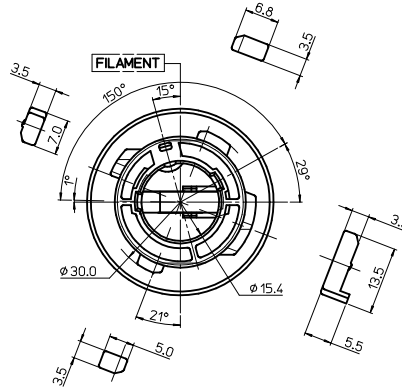
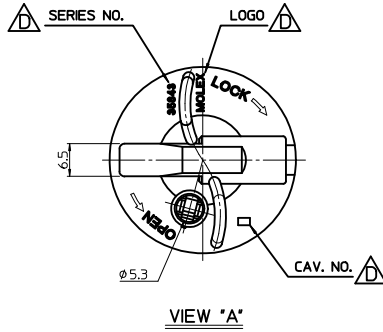
[35464](#) Positive Terminal for PT Bulb Socket,
[35465](#) Earth Terminal for PT Bulb Socket

- NOTES
 1. FOCAL LENGTH = 31.8mm
 2. PRODUCT SPECIFICATION: PS-35842-001
 3. APPLICABLE BULB CAP: PY21W(BAU15s)
 4. MATES WITH

<PART LIST>

NO.	DESCRIPTION	MATERIAL	USAGE	REMARK
①	SINGLE SOCKET	PA66 M/F	1	EC TYPE
②	SEAL GASKET	NBR	1	BLACK

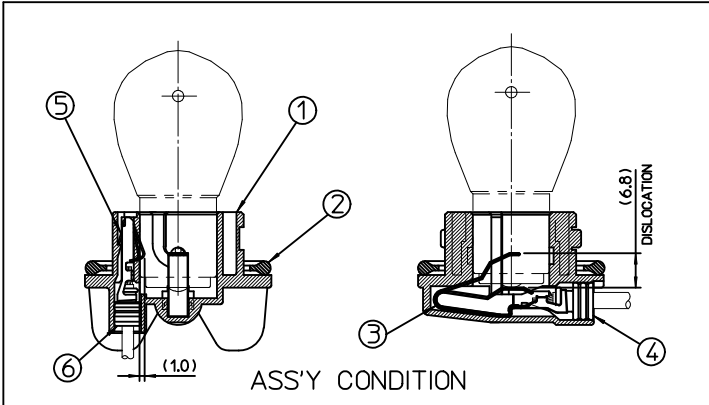
NO.	DESCRIPTION	MATERIAL	ORDER NO.	REMARK
③	POSITIVE TERMINAL	PHOSPHOR BRONZE	35464-8000	UNPLATED
④	POSITIVER WIRE SEAL	SILICONE	35903-0096	BROWN
⑤	EARTH TERMINAL	PHOSPHOR BRONZE	35465-8000	UNPLATED
⑥	EARTH WIRE SEAL	SILICONE	35903-0106	BLUE



MOUNTING INTERFACE (MI-1)

<TABLE 1>

MATERIAL NO.	ORDER NO.	COLOR
358431230	35843-1230	NATURAL
358431235	35843-1235	GRAY
358431236	35843-1236	WHITE
358431237	35843-1237	BROWN



REV	DESCRIPTION	DATE	BY	CHKD	APPD
D	REVISED	2010/04/06	YSIKKIM	CHKD-WYANG	APPR: YUNSIKKIM
		2010/04/05			
		2010/04/05			

QUALITY SYMBOLS		GENERAL TOLERANCES (UNLESS SPECIFIED)	
	= 0.05	mm	INCH
	= 0.1		
4 PLACES	± ---	± ---	
3 PLACES	± ---	± ---	
2 PLACES	± 0.15	± ---	
1 PLACE	± 0.25	± ---	
		ANGULAR ± 2 °	
DRAFT WHERE APPLICABLE MUST REMAIN WITHIN DIMENSIONS			

DIMENSION STYLE		SCALE	DESIGN UNITS	THIRD ANGLE PROJECTION
MM ONLY		1:1	METRIC	
DRAWN BY	DATE	TITLE		
YSIKKIM	1999/05/13	SEALED PT BULB SOCKET SINGLE HOUSING ASS'Y (EC-TYPE)		
CHECKED BY	DATE	MOLEX INCORPORATED		
BKCHOI	1999/05/13	MOLEX INCORPORATED		
APPROVED BY	DATE	DOCUMENT NO.		
CWLEE	1999/05/13	SD-35843-005		
MATERIAL NO.	SEE TABLE 1	SHEET NO.		
		1 OF 1		

DRAWING INFORMATION	
SIZE	A3
THIS DRAWING CONTAINS INFORMATION THAT IS PROPRIETARY TO MOLEX INCORPORATED AND SHOULD NOT BE USED WITHOUT WRITTEN PERMISSION	