

PLEASE CHECK WWW.MOLEX.COM FOR LATEST PART INFORMATION

Part Number: [0522071285](#)
Status: **Active**
Overview:
Description: 1.00mm (.039") Pitch FFC/FPC Connector, SMT, Right Angle, ZIF, Top Contact Style Receptacle, 12 Circuits, Lead-free, High Barrier Packaging

Agency Certification

CSA LR19980
 UL E29179

General

Product Family FFC/FPC Connectors
 Series 52207
 Overview ffc_fpc_smt
 Product Name N/A

Physical

Circuits (Loaded) 12
 Color - Resin Natural
 Contact Position Top
 Durability (mating cycles max) 30
 Entry Angle 90° Angle
 Flammability 94V-0
 Mated Height (in) 0.106 In
 Mated Height (mm) 2.70 mm
 Material - Metal Phosphor Bronze
 Material - Plating Mating Tin-Bismuth
 Material - Resin Nylon
 Number of Rows 1
 Orientation Right Angle
 PC Tail Length (in) 0.079 In
 PC Tail Length (mm) 2.00 mm
 PCB Locator No
 PCB Retention Yes
 Packaging Type Embossed Tape on Reel
 Pitch - Mating Interface (in) 0.039 In
 Pitch - Mating Interface (mm) 1.00 mm
 Polarized to PCB Yes
 Stackable No
 Temperature Range - Operating -30°C to +85°C
 Termination Interface: Style Surface Mount
 Wire/Cable Type FFC/FPC

Electrical

Current - Maximum per Contact 1A
 Voltage - Maximum 125V

Material Info

Reference - Drawing Numbers

Packaging Specification SPK-52207-001, SPK-52207-002
 Product Specification PS-52207-047, RPS-52207-063, RPS-52207-065,
 RPS-52207-067, RPS-52207-069, RPS-52207-072,
 RPS-52207-079, RPS-52207-080, RPS-52207-081,
 RPS-52207-082, RPS-52207-083, RPS-52207-086,
 RPS-52207-087, RPS-52207-088, RPS-52207-091,
 RPS-52207-093, RPS-52207-096, RPS-52207-097,

EU RoHS
ELV and RoHS
Compliant
REACH SVHC
Contains SVHC: No
Halogen-Free
Status
Not Halogen-Free

China RoHS



Need more information on product environmental compliance?

Email productcompliance@molex.com
 For a multiple part number RoHS Certificate of Compliance, [click here](#)

Please visit the [Contact Us](#) section for any non-product compliance questions.

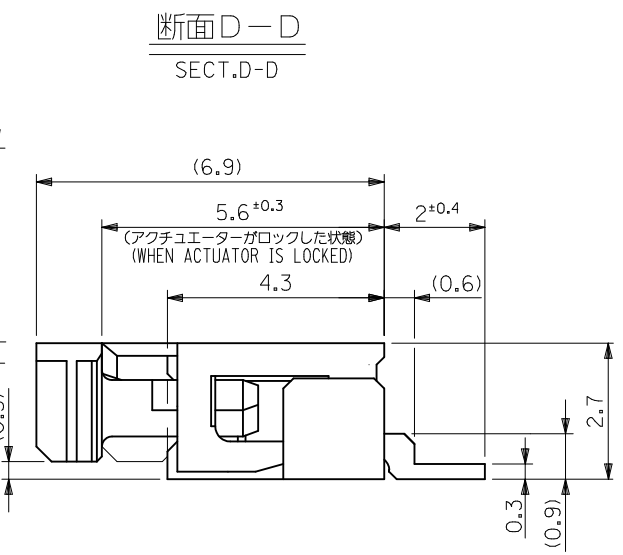
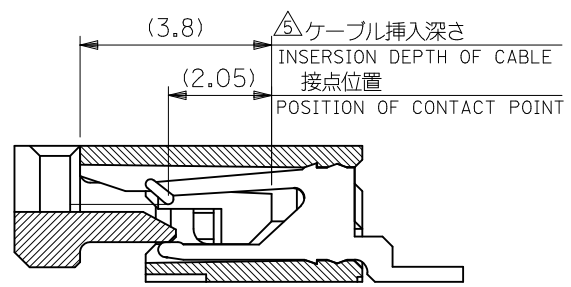
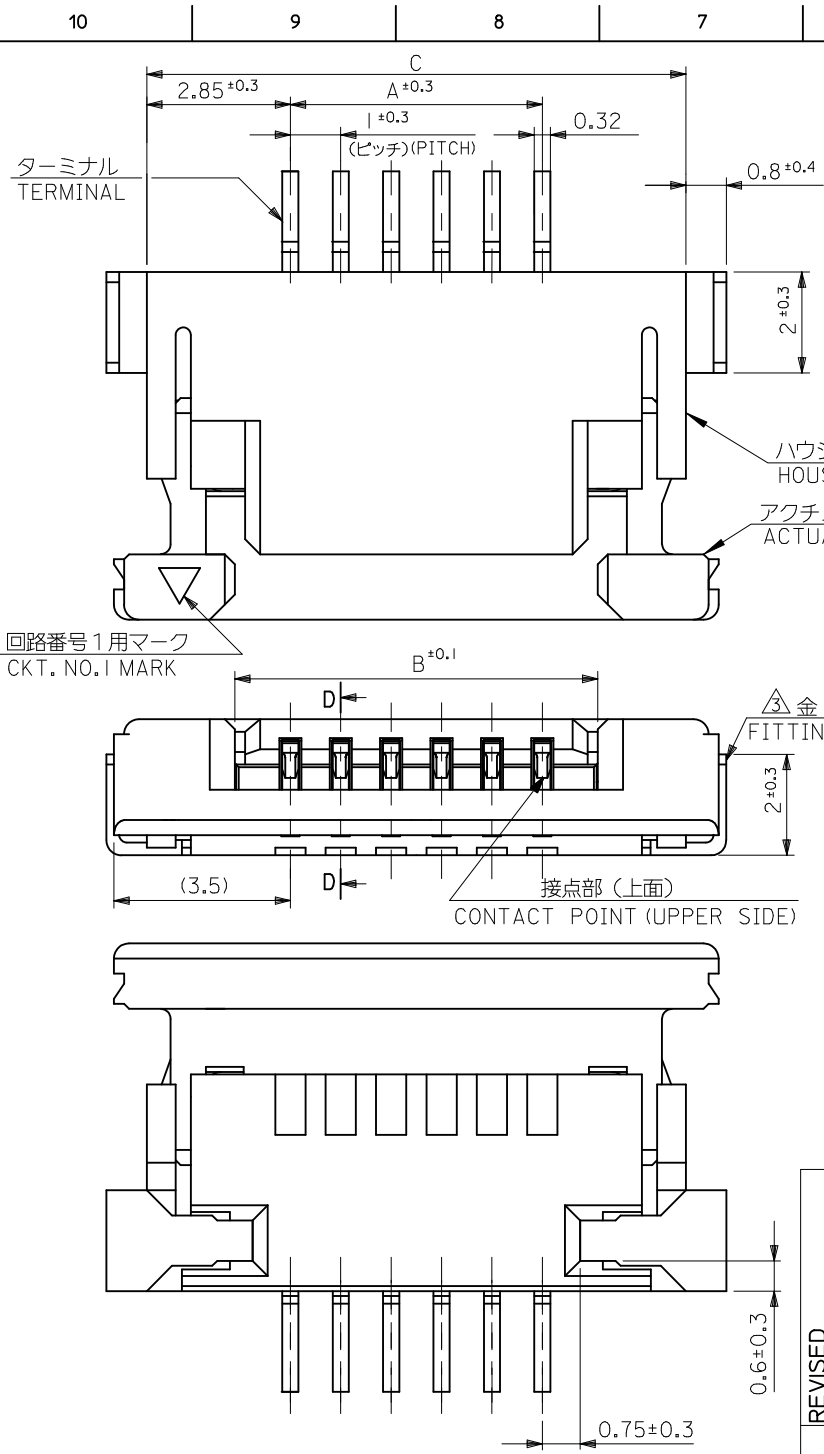
Search Parts in this Series
[52207Series](#)

Sales Drawing

RPS-52207-098, RPS-52207-100, RPS-52207-102,
RPS-52207-103, RPS-52207-105, RPS-52207-107
SD-52207-060, SD-52207-061

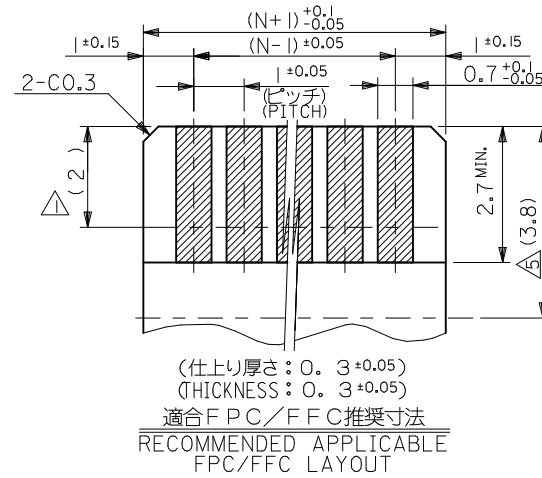
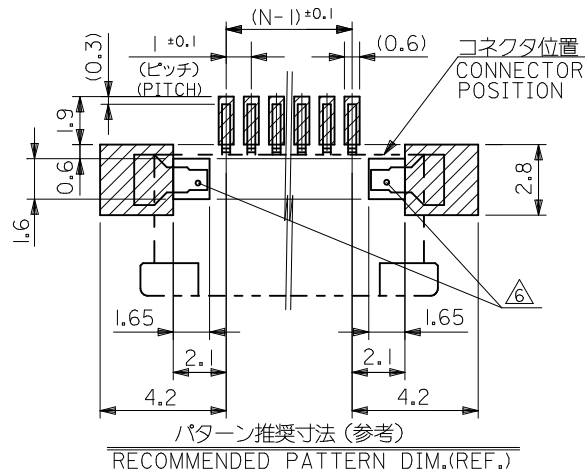
This document was generated on 06/04/2010

PLEASE CHECK WWW.MOLEX.COM FOR LATEST PART INFORMATION



38.7	35.2	33	52207-0685	34
34.7	31.2	29	52207-0685	30
33.7	30.2	28	52207-0685	29
32.7	29.2	27	52207-0685	28
31.7	28.2	26	52207-0685	27
30.7	27.2	25	52207-0685	26
29.7	26.2	24	52207-0685	25
28.7	25.2	23	52207-0685	24
27.7	24.2	22	52207-0685	23
26.7	23.2	21	52207-0685	22
25.7	22.2	20	52207-0685	21
24.7	21.2	19	52207-0685	20
23.7	20.2	18	52207-0685	19
22.7	19.2	17	52207-0685	18
21.7	18.2	16	52207-0685	17
20.7	17.2	15	52207-0685	16
19.7	16.2	14	52207-0685	15
18.7	15.2	13	52207-0685	14
17.7	14.2	12	52207-0685	13
16.7	13.2	11	52207-0685	12
15.7	12.2	10	52207-0685	11
14.7	11.2	9	52207-0685	10
13.7	10.2	8	52207-0685	9
12.7	9.2	7	52207-0685	8
11.7	8.2	6	52207-0685	7
10.7	7.2	5	52207-0685	6
9.7	6.2	4	52207-0685	5
8.7	5.2	3	52207-0485	4
7.7	4.2	2	52207-0385	3
C	B	A	EMBOSSD PACKAGE オーダー番号 ORDER NO.	極数 CIRCUITS

REVISED EC NO: J2010-2456 DRWN:HUGAWA 2010/06/04 CHKD:SHIMOMIYAMA 2010/06/04 APPR:KMORIKAWA 2010/06/07	GENERAL TOLERANCES (UNLESS SPECIFIED)		DIMENSION STYLE MM ONLY		SCALE ---	DESIGN UNITS METRIC	THIRD ANGLE PROJECTION
	10 UNDER	±0.2	DRAWN BY MNINOMIY	DATE '04/02/06	TITLE 1.0 PITCH FPC CONN. ZIF SMT -LEAD FREE-		
	10 OVER 30 UNDER	±0.25	CHECKED BY KTOJO	DATE '04/02/06	MOLEX INCORPORATED		
	30 OVER	±0.3	APPROVED BY MSASAO	DATE '04/02/06	DOCUMENT NO. SD-52207-060	SHEET NO. 1 OF 2	
	ANGULAR ±3 °	MATERIAL NO. SEE TABLE		THIS DRAWING CONTAINS INFORMATION THAT IS PROPRIETARY TO MOLEX INCORPORATED AND SHOULD NOT BE USED WITHOUT WRITTEN PERMISSION			
	DRAFT WHERE APPLICABLE MUST REMAIN WITHIN DIMENSIONS		SIZE A3				

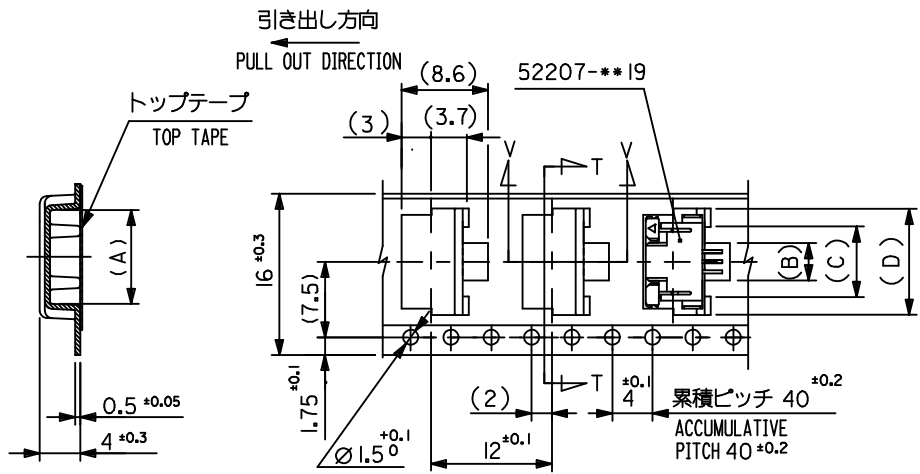


注記 NOTES

- △ 接点部までの嵌合長さ。
LENGTH TO CONTACT POINT.
- 2. 使用材料 MATERIAL
 - ハウジング : 46ナイロン (耐熱性), UL94V-0
 - HOUSING : 46NYLON, UL94V-0
 - アクチュエータ : PPS, UL94V-0
 - ACTUATOR : PPS, UL94V-0
 - ターミナル : 銅
 - TERMINAL : PHOSPHOR BRONZE
 - 錫・ピスマスメッキ 1.0マイクロメートル以上
 - : TIN BISMUTH 1.0 MICROMETER MINIMUM
 - : ニッケル下地 1.0マイクロメートル以上
 - : NICKEL (UNDER PLATING) 1.0 MICROMETER MINIMUM
 - 銅合金
 - COPPER ALLOY
 - 錫メッキ 1.0マイクロメートル以上
 - : TIN 1.0 MICROMETER MINIMUM
 - : ニッケル下地 1.0マイクロメートル以上
 - : NICKEL (UNDER PLATING) 1.0 MICROMETER MINIMUM
- 金具 FITTING NAIL
 - : 銅合金
 - : COPPER ALLOY
 - : 錫メッキ 1.0マイクロメートル以上
 - : TIN 1.0 MICROMETER MINIMUM
 - : ニッケル下地 1.0マイクロメートル以上
 - : NICKEL (UNDER PLATING) 1.0 MICROMETER MINIMUM
- △3 パターンはくり止め用金具
FITTING NAIL FOR PREVENTION OF PEELING OF P.C.B. PATTERN.
- 4. エンボステーブ梱包時は、アクチュエータがロックした状態とする。
IN THE PACKAGE, ACTUATOR OF PART NO. 52207-**-19 SHOULD BE LOCKED.
- △ ケーブル挿入深さ
INSERTION DEPTH OF CABLE.
- △6 パターン書き込み禁止エリア。
NO FOOT PRINT AREA.
- 7. 本製品は 52207-**-17 の鉛フリー品である。
THIS PRODUCT IS LEAD FREE OF 52207-**-17.
- 8. ELV及びRoHS適合品
ELV AND ROHS COMPLIANT

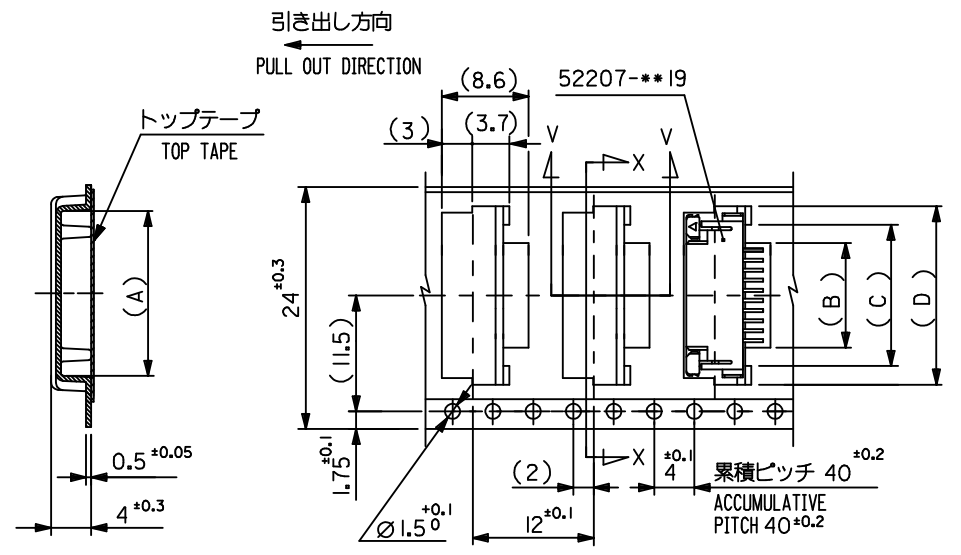
- FPCについて:
- 打抜き方向は導体側から補強板を推奨致します。
 - 補強フィルム材質はポリイミドを推奨致します。
 - 接着剤は熱硬化接着剤を推奨致します。
 - ABOUT FPC:
RECOMMENDED PUNCHER DIRECTION : FROM CONDUCTOR SIDE TO STIFFENER BOARD SIDE.
 - RECOMMENDED MATERIAL :
STIFFENER FILM : POLYIMIDE
BONDING AGENT : THERMOSETTING BONDING AGENT

SEE SHEET 1 EC NO. J2010-2456 DRWN:HUGAWA 2010/06/04 CHKD:HSHIMUYAMA 2010/06/04 APPR:KMORIKAWA 2010/06/07	GENERAL TOLERANCES (UNLESS SPECIFIED)		DIMENSION STYLE MM ONLY		SCALE ---	DESIGN UNITS METRIC	THIRD ANGLE PROJECTION	
	10 UNDER	±0.2	DRAWN BY MNINOMIY	DATE '04/02/06	TITLE 1.0 PITCH FPC CONN ZIF SMT -LEAD FREE-			
	10 OVER 30 UNDER	±0.25	CHECKED BY KTOJO	DATE '04/02/06	MOLEX INCORPORATED			
	30 OVER	±0.3	APPROVED BY MSASAO	DATE '04/02/06				
ANGULAR ±3 °		DRAFT WHERE APPLICABLE MUST REMAIN WITHIN DIMENSIONS		MATERIAL NO. SEE SHEET 1 OF 2	DOCUMENT NO. SD-52207-060	SHEET NO. 2 OF 2		
SIZE A3 THIS DRAWING CONTAINS INFORMATION THAT IS PROPRIETARY TO MOLEX INCORPORATED AND SHOULD NOT BE USED WITHOUT WRITTEN PERMISSION								



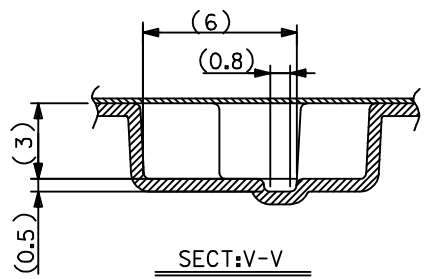
SECT:T-T

16mm 幅 キャリアテープ
16mm WIDTH CARRIER TAPE



SECT:X-X

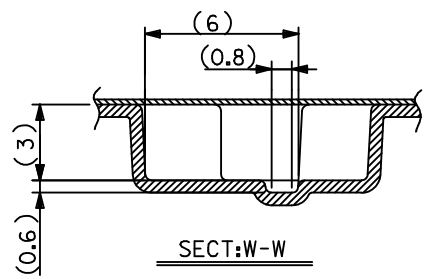
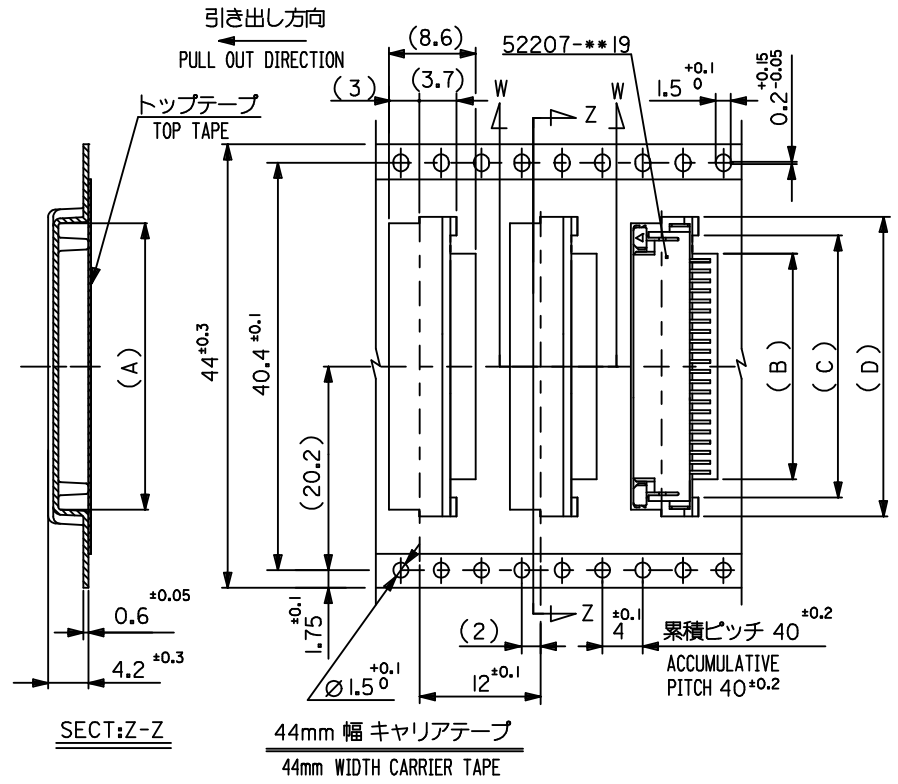
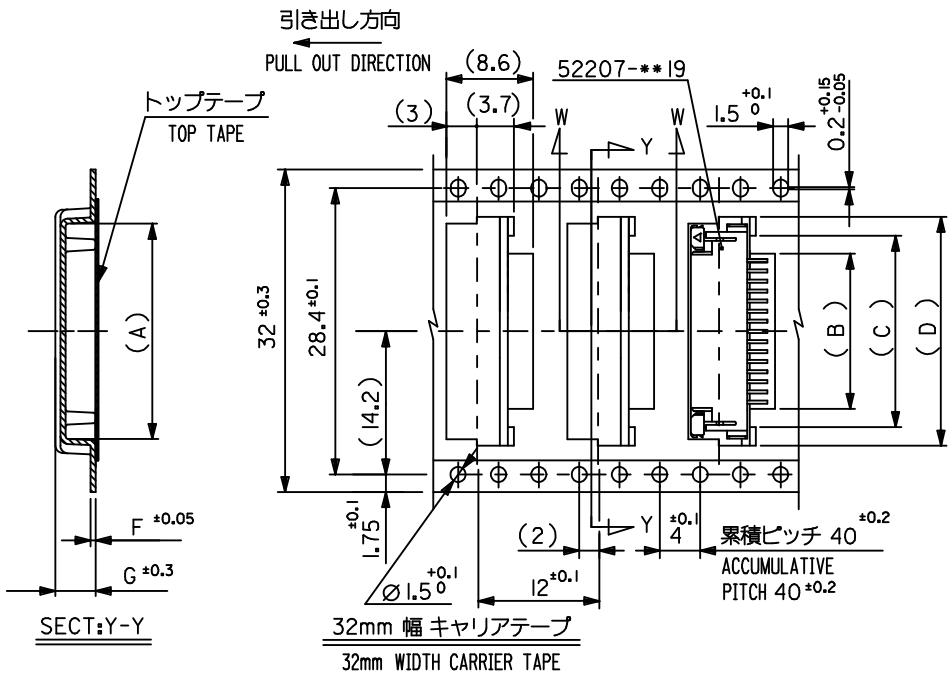
24mm 幅 キャリアテープ
24mm WIDTH CARRIER TAPE



SECT:V-V

24	29.4	25.4	18.5	15	11.7	17.3	52207-1185	11	
			17.5	14	10.7	16.3	4 -1085	10	
			16.5	13	9.7	15.3	-0985	9	
			15.5	12	8.7	14.3	-0885	8	
			14.5	11	7.7	13.3	-0785	7	
			13.5	10	6.7	12.3	-0685	6	
			12.5	9	5.7	11.3	-0585	5	
			11.5	8	4.7	10.3	7 -0485	4	
52207-***85	16	21.4	17.4	10.5	7	3.7	9.3	52207-0385	3
MODEL NO.	キャリアテープ幅 CARRIER TAPE WIDTH	H	E	(D)	(C)	(B)	(A)	MATERIAL NO.	極致 CKT.

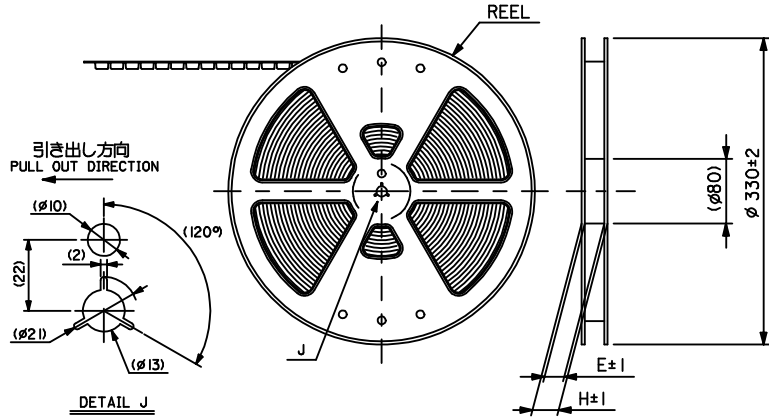
REVISED EC NO.: J2009-2061 DRWN:TKON 2009/05/20 CHKD:HMATSUMOTO 2009/05/21 APPR:NIKI ITA 2009/05/21	GENERAL TOLERANCES (UNLESS SPECIFIED)		DIMENSION STYLE MM ONLY		SCALE ---	DESIGN UNITS METRIC	THIRD ANGLE PROJECTION	
	10 UNDER	±0.2	DRAWN BY M. NINOMIYA	DATE 2004/02/06	TITLE EMBOSSD TAPE PACKAGE FOR 52207-***19 -LEAD FREE-			
	10 OVER 30 UNDER	±0.25	CHECKED BY K. TOJO	DATE 2004/02/06	MOLEX INCORPORATED			
	30 OVER	±0.3	APPROVED BY M. SASAO	DATE 2004/02/06	DOCUMENT NO. SD-52207-061			
	ANGULAR ±3° DRAFT WHERE APPLICABLE MUST REMAIN WITHIN DIMENSIONS		MATERIAL NO. SEE TABLE		SHEET NO. 1 OF 3			



32	37.4	33.4	4.0	0.5	23.5	20	16.7	22.35	52207-1685	16
			4.2	0.6	22.5	19	15.7	21.35	4-1585	15
			4.2	0.6	21.5	18	14.7	20.35	-1485	14
			4.2	0.6	20.5	17	13.7	19.35	7-1385	13
			4.2	0.6	19.5	16	12.7	18.35	52207-1285	12
キャリアテープ幅 CARRIER TAPE WIDTH	H	E	(G)	(F)	(D)	(C)	(B)	(A)	MATERIAL NO.	極数 CKT.

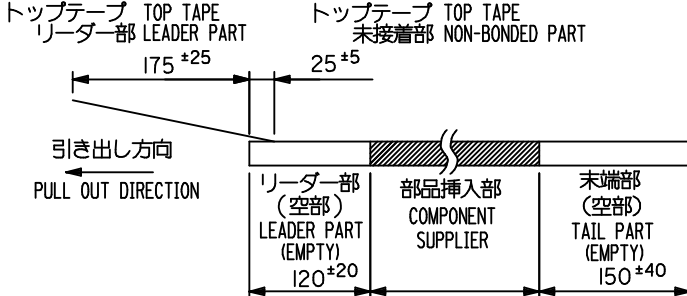
44	49.4	45.4	34.5	31	27.7	33.35	52207-2785	27
			33.5	30	26.7	32.35	4-2685	26
			32.5	29	25.7	31.35	-2585	25
			31.5	28	24.7	30.35	-2485	24
			30.5	27	23.7	29.35	-2385	23
			29.5	26	22.7	28.35	-2285	22
			28.5	25	21.7	27.35	-2185	21
			27.5	24	20.7	26.35	-2085	20
			26.5	23	19.7	25.35	-1985	19
			25.5	22	18.7	24.35	7-1885	18
			24.5	21	17.7	23.35	52207-1785	17
キャリアテープ幅 CARRIER TAPE WIDTH	H	E	(D)	(C)	(B)	(A)	MATERIAL NO.	極数 CKT.

REVISED EC NO.: J2009-2061 DRWN:TKON 2009/05/20 CHKD:HATSUMOTO 2009/05/21 APPR:NIKI ITA 2009/05/21	DESCRIPTION GENERAL TOLERANCES (UNLESS SPECIFIED) 10 UNDER ±0.2 10 OVER 30 UNDER ±0.25 30 OVER ±0.3 ANGULAR ±3 DRAFT WHERE APPLICABLE MUST REMAIN WITHIN DIMENSIONS	DIMENSION STYLE MM ONLY	SCALE ---	DESIGN UNITS METRIC	THIRD ANGLE PROJECTION		
		DRAWN BY M. NINOMIYA	DATE 2004/02/06	TITLE EMBOSSED TAPE PACKAGE FOR 52207-**19 -LEAD FREE-			
		CHECKED BY K. TOJO	DATE 2004/02/06	MOLEX INCORPORATED			
		APPROVED BY M. SASAO	DATE 2004/02/06	MATERIAL NO. SEE TABLE	DOCUMENT NO. SD-52207-061	SHEET NO. 2 OF 3	
THIS DRAWING CONTAINS INFORMATION THAT IS PROPRIETARY TO MOLEX INCORPORATED AND SHOULD NOT BE USED WITHOUT WRITTEN PERMISSION							



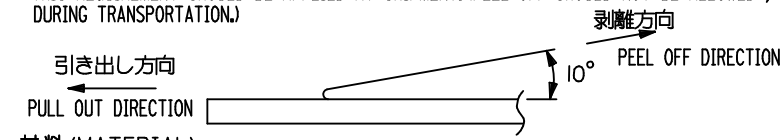
注記

- 製品番号 52207-**-19 の梱包状態はアクチュエータがロックした状態とする。
詳細寸法については図面 SD-52207-060 を参照下さい。
IN THE PACKAGE, ACTUATOR OF PART NO. 52207-**-19 SHOULD BE LOCKED
RE DETAILED DIMENSIONS, SEE SD-52207-060
- 梱包数量：1000個/リール
NUMBER OF CONNECTORS：1000PCS/REEL
- リードテープ長さ(LEAD TAPE LENGTH)

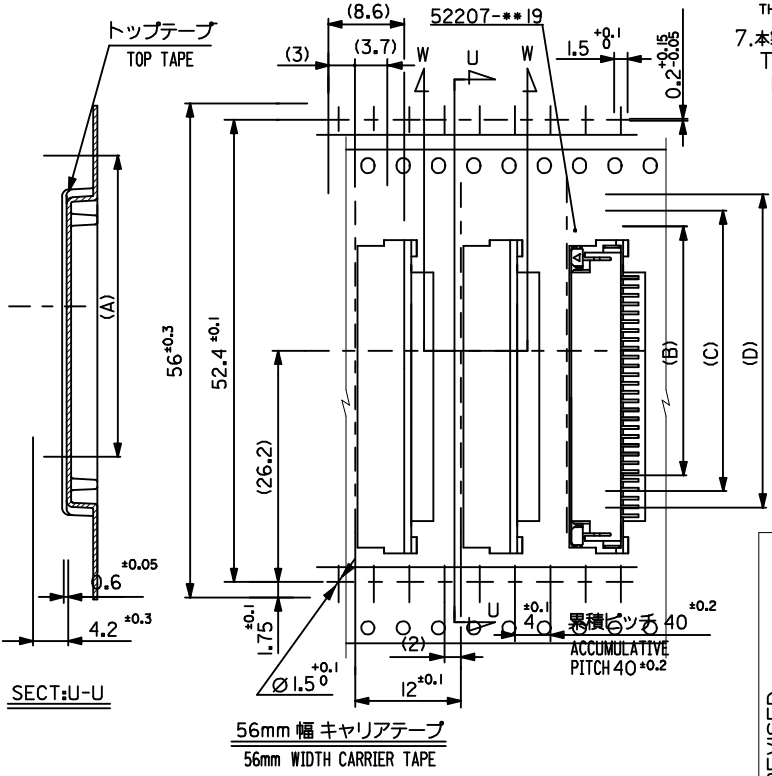


- 本製品は 52207-**-90 の鉛フリー品である。
THIS PRODUCT IS LEAD FREE OF 52207-**-90.
- 本製品は乾燥剤入り、ハイバリア梱包仕様である。
THIS PRODUCT IS HIGH BARRIER PACKAGE WITH DESICCANT.

- トップテープの剥離強度：(剥離方向は下図参照)
0.1N ~ 1.3N(10gf ~ 130gf)MAX.尚、本規格値は、出荷時に適用。
(但し、輸送時に剥離が発生しない事。)
PEELING OFF FORCE OF TOP TAPE :0.1N ~ 1.3N(10gf ~ 130gf) MAX.
(PEELING DIRECTION AS SHOWN IN FOLLOWING FIG.)
THIS REQUIREMENT SHOULD BE APPLIED AT SHIPMENT. (PEEL OFF SHOULD NOT BE ALLOWED ,
DURING TRANSPORTATION.)



- 材料 (MATERIAL)
キャリアテープ (CARRIER TAPE)：ポリプロピレン (POLYPROPYLENE)
トップテープ (TOP TAPE)：PET, PE, PEF
リール (REEL)：ポリスチレン (PS) <リサイクル材を含む>
POLYSTYRENE (PS) <RECYCLE MATERIAL CONTAINED>



52207-**-85	MODEL NO.	キャリアテープ幅 CARRIER TAPE WIDTH	H	E	(D)	(C)	(B)	(A)	41.5	38	34.7	40.35	52207-3485	34
									37.5	34	30.7	36.35	52207-3085	30
									36.5	33	29.7	35.35	52207-2985	29
									35.5	32	28.7	34.35	52207-2885	28
												MATERIAL NO.	極致 CKT.	

REVISED EC NO: J2009-2061 DRWN:TKON 2009/05/20 CHKD:HATSUMOTO 2009/05/21 APPR:NIKIITA 2009/05/21	DESCRIPTION	GENERAL TOLERANCES (UNLESS SPECIFIED)		DIMENSION STYLE MM ONLY		SCALE ---	DESIGN UNITS METRIC	THIRD ANGLE PROJECTION	
		10 UNDER	±0.2	DRAWN BY M. NINOMIYA	DATE 2004/02/06	TITLE EMBOSSED TAPE PACKAGE FOR 52207-**-19 -LEAD FREE-			
		10 OVER 30 UNDER	±0.25	CHECKED BY K. TOJO	DATE 2004/02/06	MOLEX INCORPORATED			
		30 OVER	±0.3	APPROVED BY M. SASAO	DATE 2004/02/06				
ANGULAR	±3	DRAFT WHERE APPLICABLE MUST REMAIN WITHIN DIMENSIONS		SEE TABLE		DOCUMENT NO. SD-52207-061		SHEET NO. 3 OF 3	
		THIS DRAWING CONTAINS INFORMATION THAT IS PROPRIETARY TO MOLEX INCORPORATED AND SHOULD NOT BE USED WITHOUT WRITTEN PERMISSION							