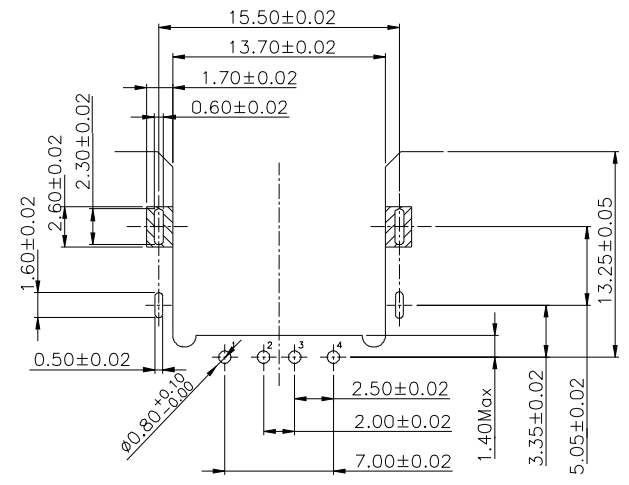
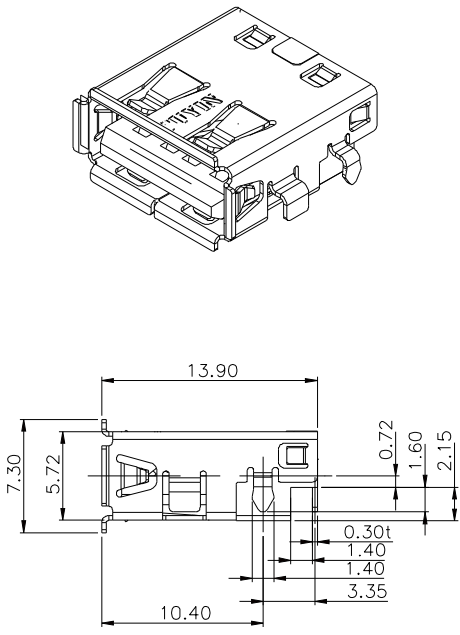
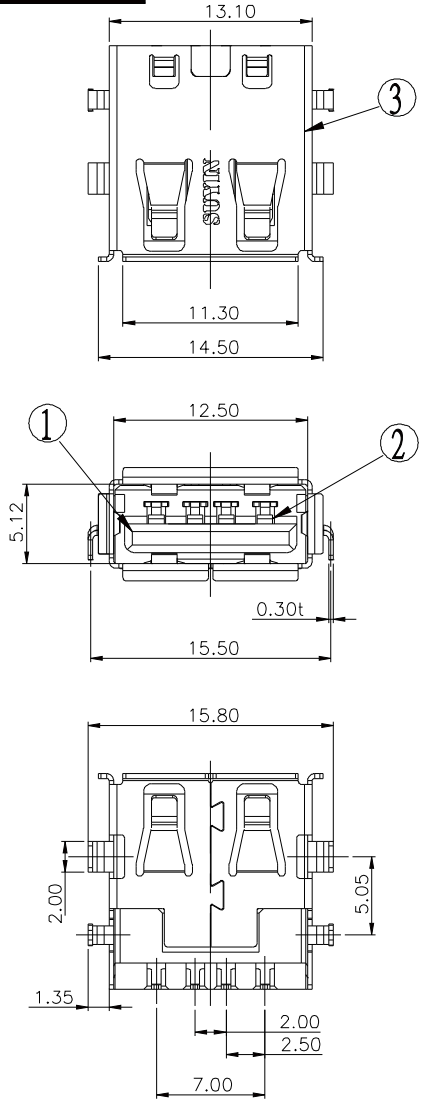


Pb RoHS Compliant HSF
2002/95/EC
Process Capable

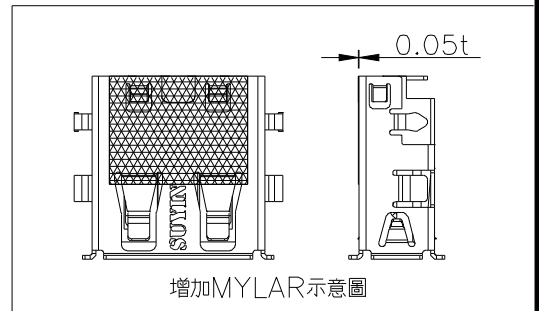
Level-1 Controlled Substances are banned

RECOMMENDED P.C.B LAYOUT(COMPONENT SIDE)
P.C.B THICKNESS=1.20mm(TOLERANCE=±0.02)
WITHOUT LOCKING FUNCTION



NOTE: 020173MR004 SX 1BZR

CONTACT PLATED:
 *S1,-05u" MIN. GOLD IN CONTACT AREA/
 100u" MIN. TIN IN SOLDER AREA/
 *S2,-GOLD FLASH IN CONTACT AREA/
 100u" MIN. TIN IN SOLDER AREA/
 *S3,-10u" MIN. GOLD IN CONTACT AREA/
 100u" MIN. TIN IN SOLDER AREA/
 *S4,-15u" MIN. GOLD IN CONTACT AREA/
 100u" MIN. TIN IN SOLDER AREA/
 *S5,-30u" MIN. GOLD IN CONTACT AREA/
 100u" MIN. TIN IN SOLDER AREA/
 *S6,-50u" MIN. GOLD IN CONTACT AREA/
 100u" MIN. TIN IN SOLDER AREA/



NO.	DESCRIPTION	MATERIAL	COLOR	REMARK
3	SHELL	METAL	—	NICKEL PLATED
2	TERMINAL	COPPER ALLOY	—	GOLD/Tin PLATED
1	HOUSING	HIGH TEMP.PLASTIC	BLACK	UL 94V-0

SUYIN
CONNECTOR

CUSTOMER COPY	TITLE: 4 PIN USB CONNECTOR			
PART NO.		020173MR004SX1BZR		
PRODUCT SPEC.		020173MR004XX1BXX		
FILE NAME.	D	020173MR004SX1BZR-C		
SCALE	2:1	UNIT:mm	A4	SHEET: 1 of 2

DCBS-080403-01	PA	08'04/03	NEWRELEASE	陳光	謝日倉	10 ~ 30	±0.30	DRAW	陳光	08'07/08
ECN(DCN) NO.	REV	DATE	DESCRIPTION	CHANGE	APPRO.	GENERAL TOLERANCE UNLESS OTHERWISE NOTED	APPRO.	謝日倉	08'07/08	

Original:Draw: 賀 敬 Design: 賀 敬 Check: 劉小木 Appro: 許俊賢 發行日期: 07'12/06

071206-BC001