



**SANYO Semiconductors**

# DATA SHEET

An ON Semiconductor Company

## STK672-340-E

Thick-Film Hybrid IC

Unipolar Fixed-Current Chopper (External-Excited PWM) Scheme and Built-in Phase Signal Distribution IC

Two-Phase Stepping Motor Driver

(Square Wave Drive) Output Current 2.2A

### Overview

The STK672-340-E is a unipolar fixed-current chopper type 2-phase stepping motor driver hybrid IC. It features power MOSFETs in the output stage and a built-in phase signal distribution IC. The incorporation of a phase distribution IC allows the STK672-340-E to control the speed of the motor based on the frequency of an external input clock signal. It supports two types of excitation for motor control: 2-phase excitation and 1-2 phase excitation. It also provides a function for switching the motor direction.

The STK672-340-E features an ENABLE pin, a function not provided in the STK672-120-E. When the ENABLE pin is set low while the clock signal is being supplied, all MOSFET devices are forced to the off state. When ENABLE is set high again later, the IC resumes operation, continuing with the prior excitation timing.

### Applications

- Two-phase stepping motor drive in send/receive facsimile units.
- Paper feed in copiers, industrial robots, and other applications that require 2-phase stepping motor drive.

■ Any and all SANYO Semiconductor Co.,Ltd. products described or contained herein are, with regard to "standard application", intended for the use as general electronics equipment (home appliances, AV equipment, communication device, office equipment, industrial equipment etc.). The products mentioned herein shall not be intended for use for any "special application" (medical equipment whose purpose is to sustain life, aerospace instrument, nuclear control device, burning appliances, transportation machine, traffic signal system, safety equipment etc.) that shall require extremely high level of reliability and can directly threaten human lives in case of failure or malfunction of the product or may cause harm to human bodies, nor shall they grant any guarantee thereof. If you should intend to use our products for applications outside the standard applications of our customer who is considering such use and/or outside the scope of our intended standard applications, please consult with us prior to the intended use. If there is no consultation or inquiry before the intended use, our customer shall be solely responsible for the use.

■ Specifications of any and all SANYO Semiconductor Co.,Ltd. products described or contained herein stipulate the performance, characteristics, and functions of the described products in the independent state, and are not guarantees of the performance, characteristics, and functions of the described products as mounted in the customer's products or equipment. To verify symptoms and states that cannot be evaluated in an independent device, the customer should always evaluate and test devices mounted in the customer's products or equipment.

**SANYO Semiconductor Co., Ltd.**

<http://semicon.sanyo.com/en/network>

# STK672-340-E

## Features

- The motor speed can be controlled by the frequency of an external clock signal (the CLOCK pin signal).
- The excitation type is switched according to the state (low or high) of the MODE pin. The mode is set to 2-phase or 1-2 phase excitation on the rising edge of the clock signal.
- A motor direction switching pin (the CWB pin) is provided.
- Supports Schmitt input for 2.5V High level input.
- The motor current can be set by changing the Vref pin voltage. Since a 0.14Ω current detection resistor is built in, a current of 1A is set for each 0.14V of applied voltage.
- The input frequency range for the clock signal used for motor speed control is 0 to 50kHz.
- Supply voltage ranges: V<sub>CC</sub> = 10 to 42V, V<sub>DD</sub> = 5.0V ±5%
- This IC supports motor operating currents of up to 2.2A at T<sub>c</sub> = 105°C, and of up to 3.6A at T<sub>c</sub> = 25°C.
- Provides a function that, during clock input, forces all MOSFET devices to the off state when the ENABLE pin is set low, and then, when ENABLE is set high, resumes operation continuing with the prior excitation timing.

## Specifications

### Absolute Maximum Ratings at T<sub>c</sub> = 25°C

Parameter	Symbol	Conditions	Ratings	Unit
Maximum supply voltage 1	V <sub>CC</sub> max	No signal	52	V
Maximum supply voltage 2	V <sub>DD</sub> max	No signal	-0.3 to +7.0	V
Input voltage	V <sub>IN</sub> max	Logic input pins	-0.3 to +7.0	V
Output current	I <sub>OH</sub> max	V <sub>DD</sub> = 5V, CLOCK ≥ 200Hz	3.6	A
Allowable power dissipation	P <sub>d</sub> max	With an arbitrarily large heat sink. Per MOSFET	8	W
Operating substrate temperature	T <sub>c</sub> max		105	°C
Junction temperature	T <sub>J</sub> max		150	°C
Storage temperature	T <sub>stg</sub>		-40 to +125	°C

### Allowable Operating Ranges at T<sub>a</sub> = 25°C

Parameter	Symbol	Conditions	Ratings	unit
Operating supply voltage 1	V <sub>CC</sub>	With signals applied	10 to 42	V
Operating supply voltage 2	V <sub>DD</sub>	With signals applied	5.0±5%	V
Input voltage	V <sub>IH</sub>		0 to V <sub>DD</sub>	V
Output current 1	I <sub>OH1</sub>	T <sub>c</sub> =105°C, CLOCK≥200Hz	2.2	A
Output current 2	I <sub>OH2</sub>	T <sub>c</sub> =80°C, CLOCK≥200Hz, See the motor current (I <sub>OH</sub> ) derating curve	2.7	A
CLOCK frequency	f <sub>CL</sub>	Minimum pulse width: at least 10μs	0 to 50	kHz
Phase driver withstand voltage	V <sub>DSS</sub>	I <sub>D</sub> =1mA (T <sub>c</sub> =25°C)	100min	V
Recommended operating substrate temperature	T <sub>c</sub>	No condensation	0 to 105	°C

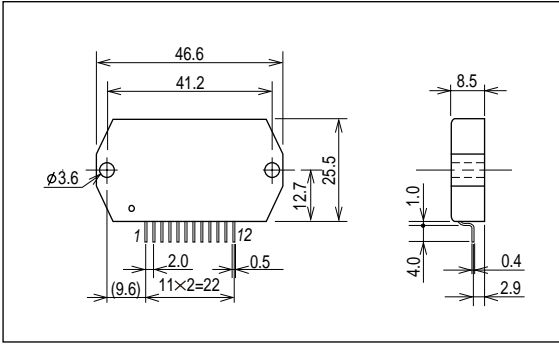
### Electrical Characteristics at T<sub>c</sub> = 25°C, V<sub>CC</sub> = 24V, V<sub>DD</sub> = 5V

Parameter	Symbol	Conditions	Rating			unit
			min	typ	max	
V <sub>DD</sub> supply current	I <sub>CCO</sub>	CLOCK=GND		3.1	7	mA
Output average current	I <sub>oave</sub>	With R/L=3Ω/3.8mH in each phase V <sub>ref</sub> = 0.137V	0.52	0.58	0.64	A
FET diode forward voltage	V <sub>df</sub>	I <sub>f</sub> =1A (R <sub>L</sub> =23Ω)		1.1	1.7	V
Output saturation voltage	V <sub>sat</sub>	R <sub>L</sub> =23Ω		0.31	0.44	V
Input high voltage	V <sub>IH</sub>	Pins 8 to 12 (5 pins)	2.5			V
Input low voltage	V <sub>IL</sub>	Pins 8 to 12 (5 pins)			0.6	V
Input current	I <sub>IL</sub>	With pins 8 to 12 at the ground level.			10	μA
V <sub>ref</sub> input voltage	V <sub>rH</sub>	Pin 7	0		3.5	V
V <sub>ref</sub> input bias current	I <sub>IB</sub>	With pin 7 at 1V		50	500	nA
PWM frequency	f <sub>c</sub>		35	45	55	kHz

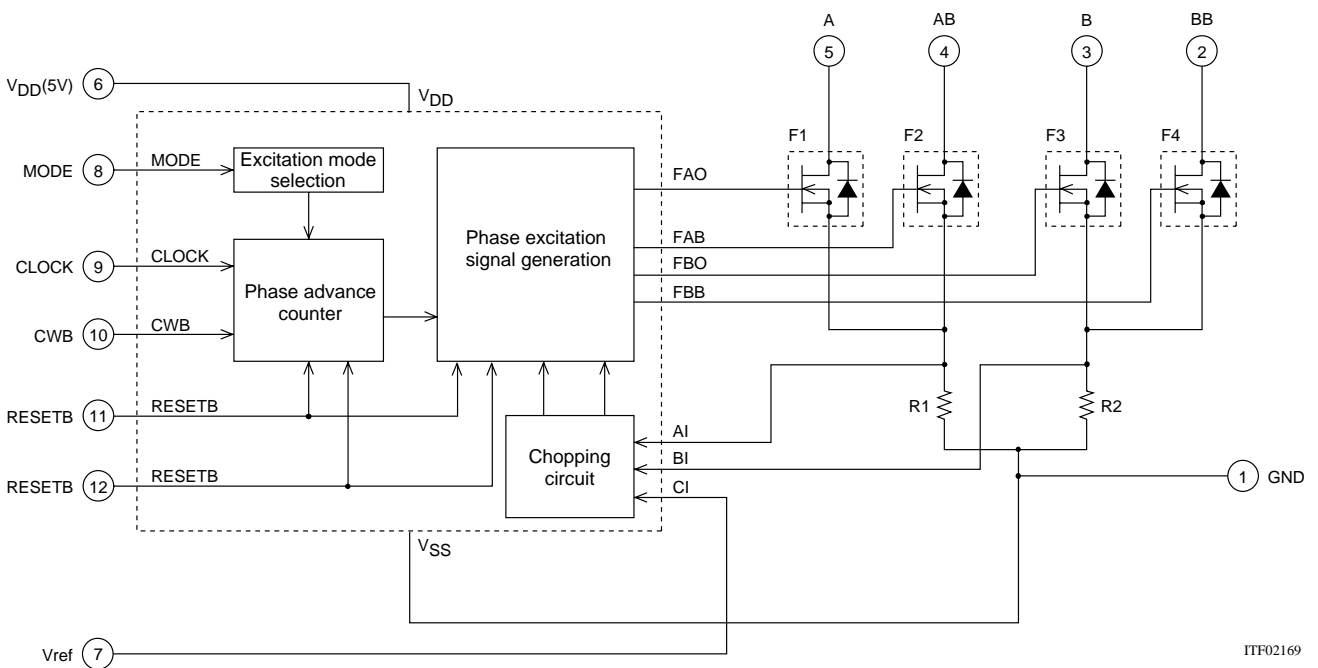
Note: A fixed-voltage power supply must be used.

Package Dimensions

unit:mm (typ)

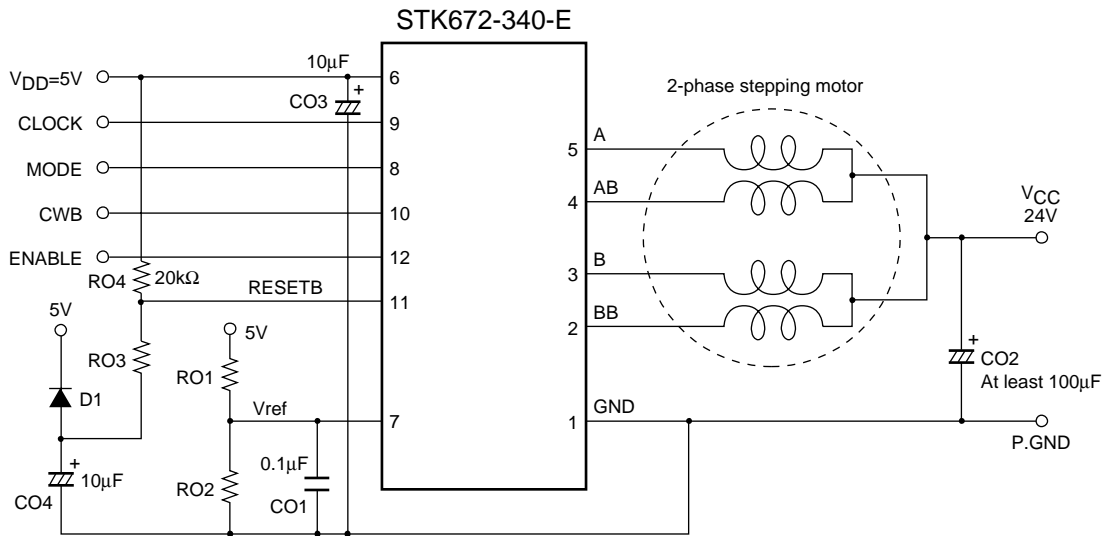


Internal Equivalent Circuit Block Diagram



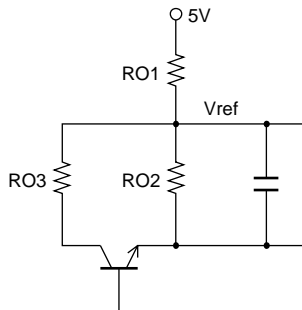
ITF02169

Sample Application Circuit

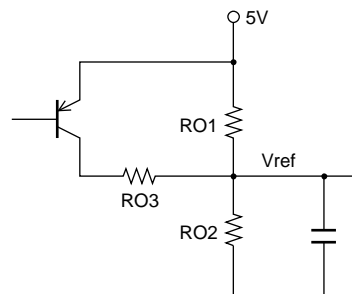


ITF02170

- To minimize noise in the 5V system, locate the ground side of capacitor CO2 in the above circuit as close as possible to pin 1 of the IC. Also, if at all possible, the ground used for Vref must not be common to the P.GND pattern, but must be directly wired from pin 1.
- Insert resistor RO3 (47 to 100Ω) so that the discharge energy from capacitor CO4 is not directly applied to the CMOS IC in this hybrid device. If the diode D1 has Vf characteristics with Vf less than or equal to 0.6V (when If = 0.1A), this will be smaller than the CMOS IC input pin diode Vf. If this is the case RO3 may be replaced with a short without problem.
- Apply 2.5V High level input to pins 8, 9, 10, 11, and 12.
- Since the input pins do not have built-in pull-up resistors, when the open-collector type pins 8, 9, 10, 11, and 12 are used as inputs, a 10 to 47kΩ pull-up resistor (to VDD) must be used.
- To prevent incorrect operation due to chopping noise, we recommend inserting 470 to 1000pF capacitors between pin 1 and each of the pins 8, 9, 10, and 12.  
(With the open-collector type IC, we also recommend inserting a 470 to 1000pF capacitor between pin 11 (RESETB) and pin 1 when pin 11 is used as an input.)
- The following circuit (for a lowered current of over 0.2A) is recommended if the application needs to temporarily lower the motor current. Here, a value of close to 100kΩ must be used for resistor RO1 to make the transistor output saturation voltage as low as possible.

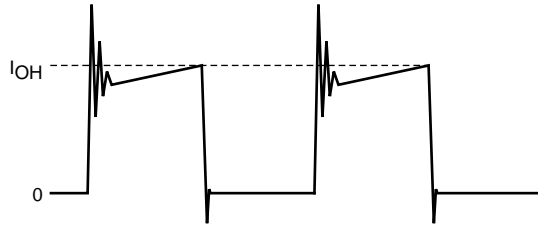


ITF02171



ITF02172

- Motor current peak value  $I_{OH}$  setting



ITF02173

$$I_{OH} = V_{ref} \div R_s$$

$$V_{ref} = (R_{O2} \div (R_{O1} + R_{O2})) \times 5V \text{ (or } 3.3V)$$

$R_s$  is the hybrid IC internal current detection resistor.

In the STK672-330-E (and STK672-350-E)  $R_s$  is 0.195Ω.

(In the STK672-340-E and STK672-360-E,  $R_s$  is 0.14Ω.)

## Input Pin Functions

Pin Name	Pin No.	Function	Input Conditions When Operating
CLOCK	9	Reference clock for motor phase current switching	Operates on the rising edge of the signal
MODE	8	Excitation mode selection	Low: 2-phase excitation High: 1-2 phase excitation
CWB	10	Motor direction switching	Low: CW (forward) High: CCW (reverse)
RESETB	11	System reset and A, AB, B, and BB outputs cutoff. Applications must apply a reset signal for at least 10μs when $V_{DD}$ is first applied.	A reset is applied by a low level
ENABLE	12	The A, AB, B, and BB outputs are turned off, and after operation is restored by returning the ENABLE pin to the high level, operation continues with the same excitation timing as before the low-level input.	The A, AB, B, and BB outputs are turned off by a low-level input.

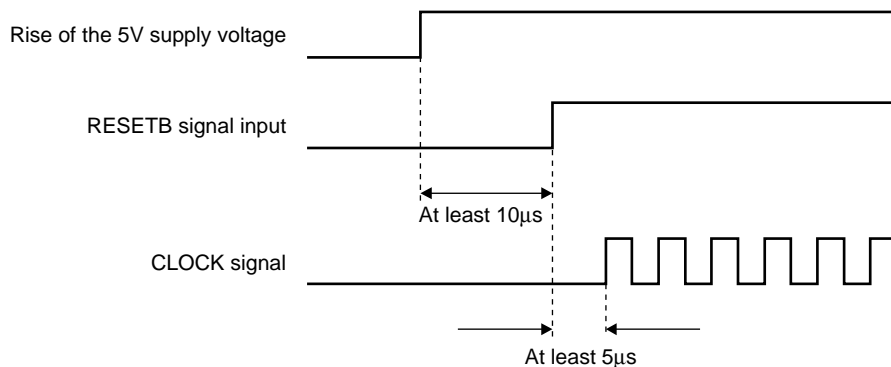
- (1) A simple reset function is formed from D1, CO4, RO3, and RO4 in this application circuit. With the CLOCK input held low, when the 5V supply voltage is brought up a reset is applied if the motor output phases A and BB are driven. If the 5V supply voltage rise time is slow (over 50ms), the motor output phases A and BB may not be driven. Increase the value of the capacitor CO4 and check circuit operation again.
- (2) See the timing chart for the concrete details on circuit operation.

## Usage Notes

1. STK672-340-E input signal functions and timing (Specifications common to the STK672-330-E as well)  
(All inputs have no internal pull-up resistor.)

[RESETB and CLOCK (Input signal timing when power is first applied)]

As shown in the timing chart, a RESETB signal input is required by the driver to operate with the timing in which the F1 gate is turned on first. The RESETB signal timing must be set up to have a width of at least 10μs, as shown below. The capacitor CO4, and the resistors RO3 and RO4 in the application circuit form simple reset circuit that uses the RC time constant rising time. However, when designing the RESETB input based on  $V_{IH}$  levels, the application must have the timing shown in figure 1.



ITF02174

Figure 1 RESETB and CLOCK Signals Input Timing

[CLOCK (Phase switching clock)]

- Input frequency: DC to 50kHz
- Minimum pulse width: 10μs
- Signals are read on the rising edge.

[CWB (Motor direction setting)]

The direction of rotation is switched by setting CWB to 1 (high) or 0 (low). See the timing charts for details on the operation of the outputs.

Note: The state of the CWB input must not be changed during the 6.25μs period before and after the rising edge of the CLOCK input.

[ENABLE (Forcible on/off control of the A, AB, B, and BB outputs, and selection of the operate or hold state for hybrid IC internal operation)]

ENABLE = 1 (high): Normal operation

ENABLE = 0 (low): Outputs A, AB, B, and BB forced to the off state.

If, during the state where CLOCK signal input is provided, the ENABLE pin is set to 0 (low) and then is later restored to the 1 (high) state, the IC will resume operation with the excitation timing continued from before the point ENABLE was set to 0 (low).

[MODE (Excitation mode selection)]

MODE = 0 (low): 2-phase excitation

MODE = 1 (high): 1-2 phase excitation

See the timing charts for details on output operation in these modes.

Note: The state of the MODE input must not be changed during the 5μs period before and after the rising edge of the CLOCK input.

## 2. Allowable motor current operating range

The motor current ( $I_{OH}$ ) must be held within the range corresponding to the area under the curve shown in figure 3. For example, if the operating substrate temperature  $T_c$  is 105°C, then  $I_{OH}$  must be held under  $I_{OH} = 2.2A$ , and in hold mode  $I_{OH}$  must be held under  $I_{OH} = 1.8A$ .

## 3. Thermal design

[Operating range in which a heat sink is not used]

This section discusses the safe operating range when no heat sink is used.

In the maximum ratings specifications,  $T_c$  max is specified to be 105°C, and when mounted in an actual end product system, the  $T_c$  max value must never be exceeded during operation.  $T_c$  can be expressed by formula (A) below, and thus the range for  $\Delta T_c$  must be stipulated so that  $T_c$  is always under 105°C.

$$T_c = T_a + \Delta T_c \quad (A)$$

$T_a$ : Hybrid IC (HIC) ambient temperature,  $\Delta T_c$ : Temperature increase across the aluminum substrate

As shown in figure 5, the value of  $\Delta T_c$  increases as the hybrid IC internal average power dissipation  $P_D$  increases. As shown in figure 4,  $P_D$  increases with the motor current. Here we describe the actual  $P_D$  calculation using the example shown in the motor current timing chart in figure 2.

Since there are periods when current flows and periods when the current is off during actual motor operation,  $P_D$  cannot be determined from the data presented in figure 4. Therefore, we calculate  $P_D$  assuming that actual motor operation consists of repetitions of the operation shown in figure 2.

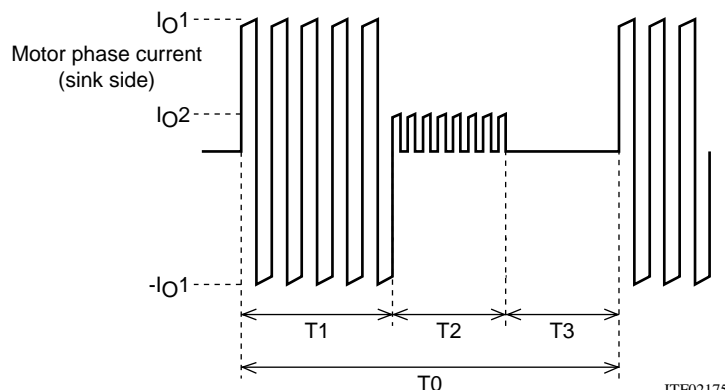


Figure 2 Motor Current Timing

ITF02175

T1: Motor rotation operation time

T2: Motor hold operation time

T3: Motor current off time

T2 may be reduced, depending on the application.

T0: Single repeated motor operating cycle

I<sub>O1</sub> and I<sub>O2</sub>: Motor current peak values

Due to the structure of motor windings, the phase current is a positive and negative current with a pulse form.

Note that figure 2 presents the concepts here, and that the on/off duty of the actual signals will differ.

The hybrid IC (HIC) internal average power dissipation P<sub>D</sub> can be calculated from the following formula.

$$P_D = (T1 \times P1 + T2 \times P2 + T3 \times 0) \div T0 \dots\dots\dots (I)$$

(Here, P1 is the P<sub>D</sub> for I<sub>O1</sub> and P2 is the P<sub>D</sub> for I<sub>O2</sub>)

If the value calculated in formula (I) above is under 1.5W, then from figure 5 we see that operation is allowed up to an ambient temperature T<sub>a</sub> of 60°C.

While the operating range when a heat sink is not used can be determined from formula (I) above, figure 4 is merely a single example of one operating mode for a single motor.

For example, while figure 4 shows a 2-phase excitation motor, if 1-2 phase excitation is used with a 500Hz clock frequency, the drive will be turned off for 25% of the time and the dissipation P<sub>D</sub> will be reduced to 75% of that in figure 4.

It is extremely difficult for SANYO to calculate the internal average power dissipation P<sub>D</sub> for all possible end product conditions. After performing the above rough calculations, always install the hybrid IC (HIC) in an actual end product and verify that the substrate temperature T<sub>c</sub> does not rise above 105°C.

[Operating range in which a heat sink is used]

Although a heat sink is attached to lower T<sub>c</sub> if the hybrid IC (HIC) internal average power dissipation P<sub>D</sub> increases, the resulting size can be found using the value of θ<sub>c-a</sub> in Equation (II) below and the graph depicted in Figure 6.

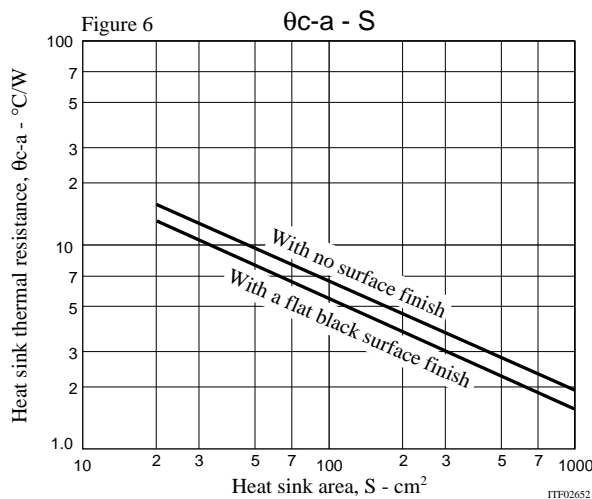
$$\theta_{c-a} = (T_c \text{ max} - T_a) \div P_D \dots\dots\dots (II)$$

T<sub>c</sub> max: Maximum operating substrate temperature =105°C

T<sub>a</sub>: HIC ambient temperature

Although a heat sink can be designed based on equations (I) and (II) above, be sure to mount the HIC in a set and confirm that the substrate temperature, T<sub>c</sub>, is 105°C or less.

The average HIC power loss, P<sub>D</sub>, described above represents the power loss when there is no avalanche operation. To add the loss during avalanche operations, be sure to add Equation (2), “Allowable STK672-3\*\* Avalanche Energy Value”, to P<sub>D</sub>.



4. STK672-340-E Allowable Avalanche Energy Value

[Allowable Range in Avalanche Mode]

When driving a 2-phase stepping motor with constant current chopping using an STK672-3\*\* Series hybrid IC, the waveforms shown in Figure 7 below result for the output current,  $I_D$ , and voltage,  $V_{DS}$ .

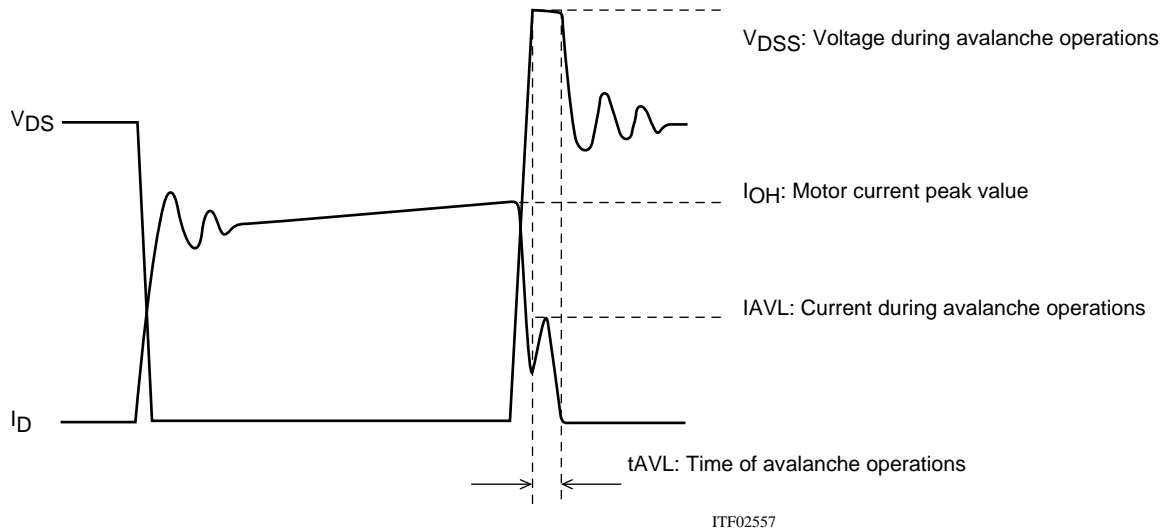


Figure 7 Output Current,  $I_D$ , and Voltage,  $V_{DS}$ , Waveforms 1 of the STK672-3\*\* Series when Driving a 2-Phase Stepping Motor with Constant Current Chopping

When operations of the MOSFET built into STK672-3\*\* Series ICs is turned off for constant current chopping, the  $I_D$  signal falls like the waveform shown in the figure above. At this time, the output voltage,  $V_{DS}$ , suddenly rises due to electromagnetic induction generated by the motor coil.

In the case of voltage that rises suddenly, voltage is restricted by the MOSFET  $V_{DSS}$ . Voltage restriction by  $V_{DSS}$  results in a MOSFET avalanche. During avalanche operations,  $I_D$  flows and the instantaneous energy at this time,  $E_{AVL1}$ , is represented by Equation (1).

$$E_{AVL1} = V_{DSS} \times I_{AVL} \times 0.5 \times t_{AVL} \text{ ----- (1)}$$

$V_{DSS}$ : V units,  $I_{AVL}$ : A units,  $t_{AVL}$ : sec units

The coefficient 0.5 in Equation (1) is a constant required to convert the  $I_{AVL}$  triangle wave to a square wave.

During STK672-3\*\* Series operations, the waveforms in the figure above repeat due to the constant current chopping operation. The allowable avalanche energy,  $E_{AVL}$ , is therefore represented by Equation (2) used to find the average power loss,  $P_{AVL}$ , during avalanche mode multiplied by the chopping frequency in Equation (1).

$$P_{AVL} = V_{DSS} \times I_{AVL} \times 0.5 \times t_{AVL} \times f_c \text{ ----- (2)}$$

$f_c$ : Hz units ( $f_c$  is set to the PWM frequency of 50kHz.)

For  $V_{DSS}$ ,  $I_{AVL}$ , and  $t_{AVL}$ , be sure to actually operate the STK672-3\*\* Series and substitute values when operations are observed using an oscilloscope.

Ex. If  $V_{DSS}=110V$ ,  $I_{AVL}=1A$ ,  $t_{AVL}=0.2\mu s$  when using a STK672-340-E driver, the result is:

$$P_{AVL} = 110 \times 1 \times 0.5 \times 0.2 \times 10^{-6} \times 50 \times 10^3 = 0.55W$$

$V_{DSS}=110V$  is a value actually measured using an oscilloscope.

The allowable loss range for the allowable avalanche energy value,  $P_{AVL}$ , is shown in the graph in Figure 9. When examining the avalanche energy, be sure to actually drive a motor and observe the  $I_D$ ,  $V_{DSS}$ , and  $t_{AVL}$  waveforms during operation, and then check that the result of calculating Equation (2) falls within the allowable range for avalanche operations.



**[ $I_D$  and  $V_{DS}$  Operating Waveforms in Non-avalanche Mode]**

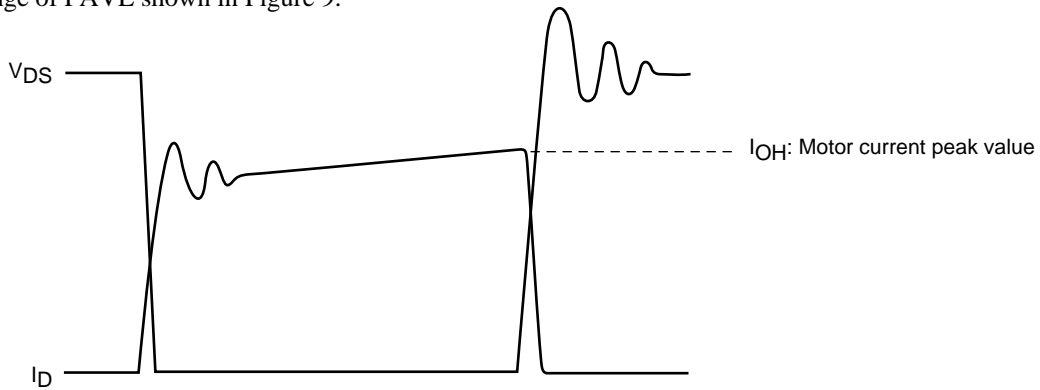
Although the waveforms during avalanche mode are given in Figure 7, sometimes an avalanche does not result during actual operations.

Factors causing avalanche are listed below.

- Poor coupling of the motor's phase coils (electromagnetic coupling of A phase and AB phase, B phase and BB phase).
- Increase in the lead inductance of the harness caused by the circuit pattern of the P.C. board and motor.
- Increases in  $V_{DSS}$ ,  $t_{AVL}$ , and  $I_{AVL}$  in Figure 7 due to an increase in the supply voltage from 24V to 36V.

If the factors above are negligible, the waveforms shown in Figure 7 become waveforms without avalanche as shown in Figure 8.

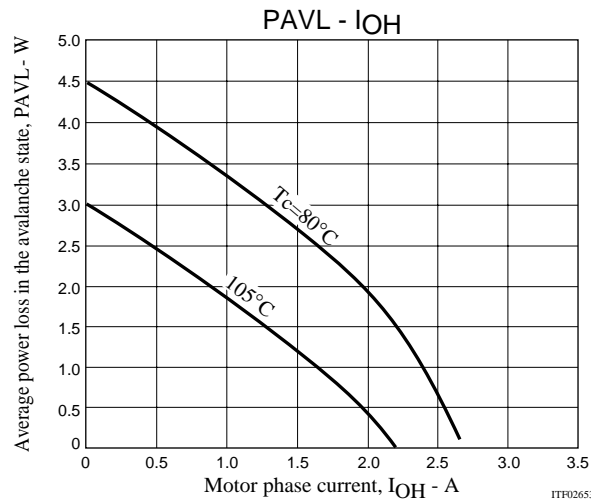
Under operations shown in Figure 8, avalanche does not occur and there is no need to consider the allowable loss range of  $PAVL$  shown in Figure 9.



ITF02558

Figure 8 Output Current,  $I_D$ , and Voltage,  $V_{DS}$ , Waveforms 2 of the STK672-3\*\* Series when Driving a 2-Phase Stepping Motor with Constant Current Chopping

Figure 9 Allowable Loss Range,  $PAVL-I_{OH}$  During STK672-340-E Avalanche Operations



ITF02653

**Note:**

The operating conditions given above represent a loss when driving a 2-phase stepping motor with constant current chopping.

Because it is possible to apply 3.0W or more at  $I_{OH}=0A$ , be sure to avoid using the MOSFET body diode that is used to drive the motor as a zener diode.

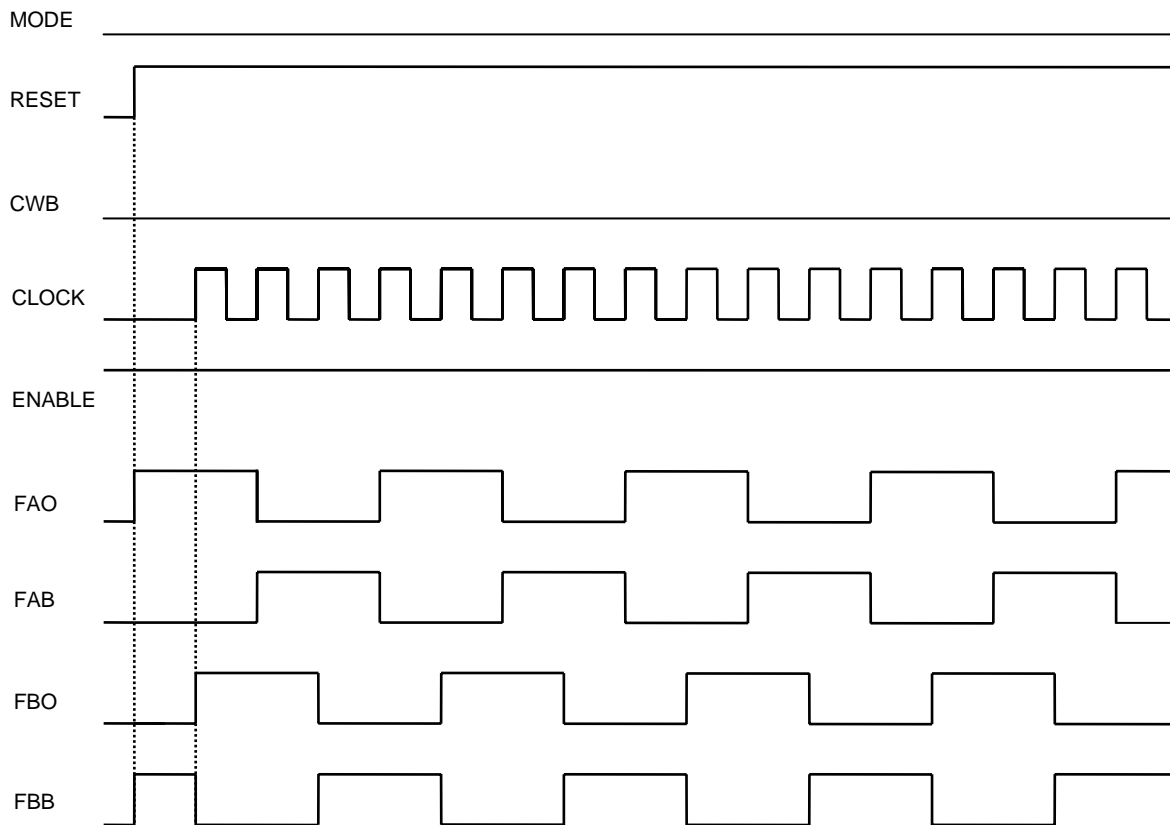
**[Smoke Emission Precautions]**

If any of the output pins 2, 3, 4, and 5 is held open, the electrical stress onto the driver due to the inductive energy accumulated in the motor could cause short-circuit followed by permanent damage to the internal MOSFET.

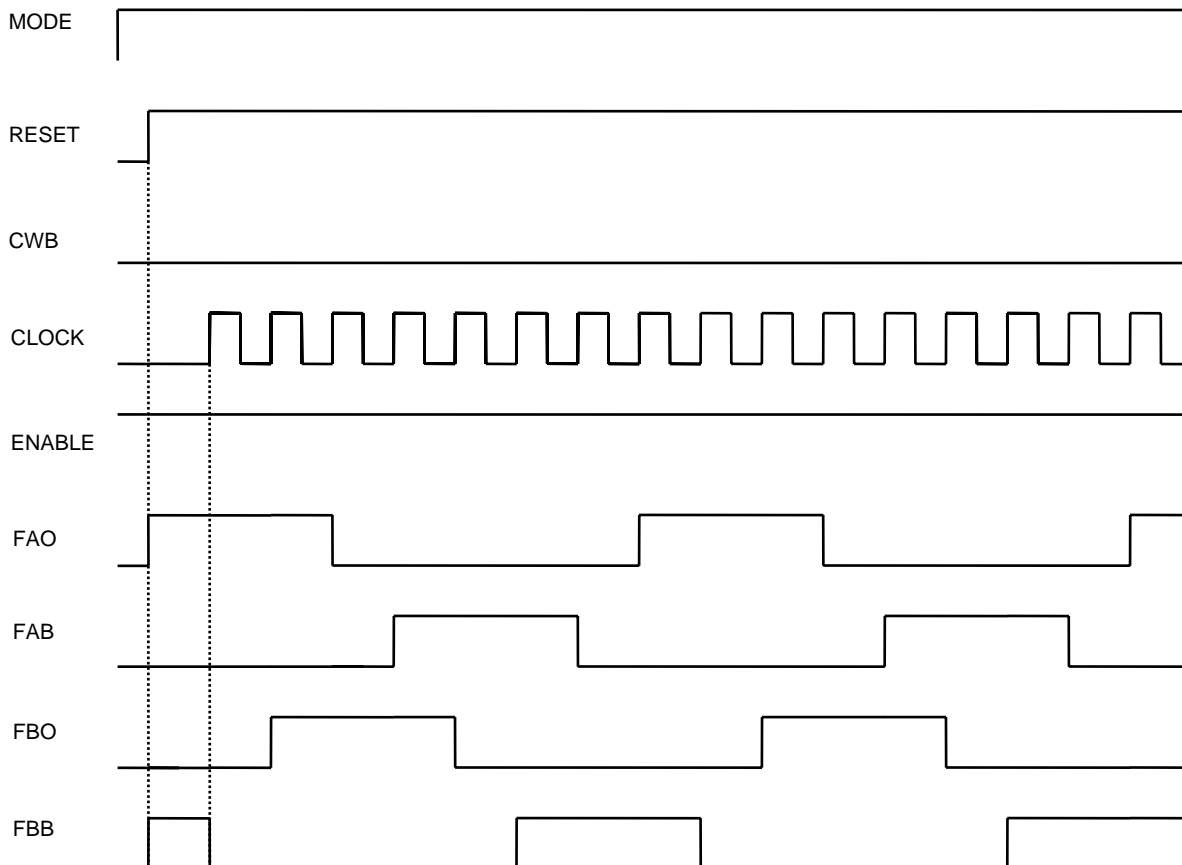
As a result, the STK672-340-E may give rise to emit smoke.

### Timing Charts

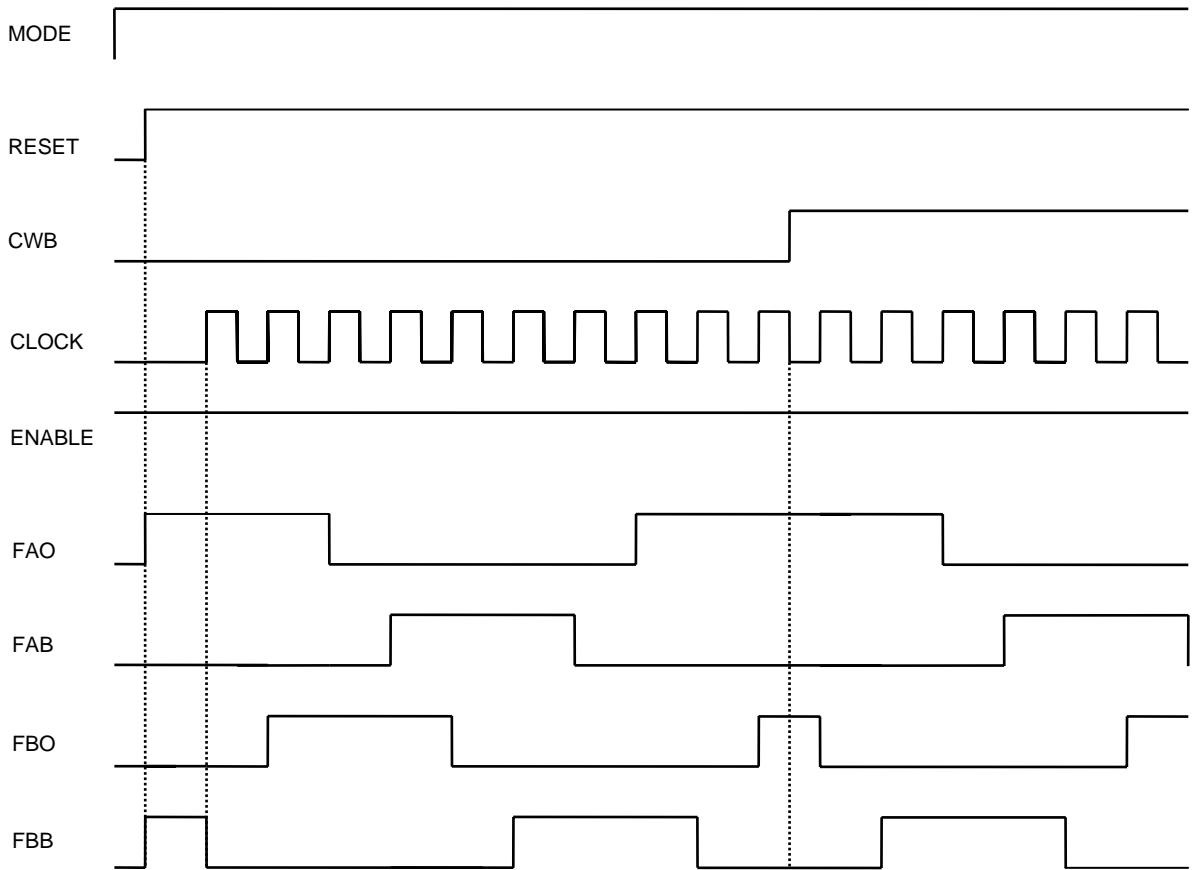
2-phase excitation



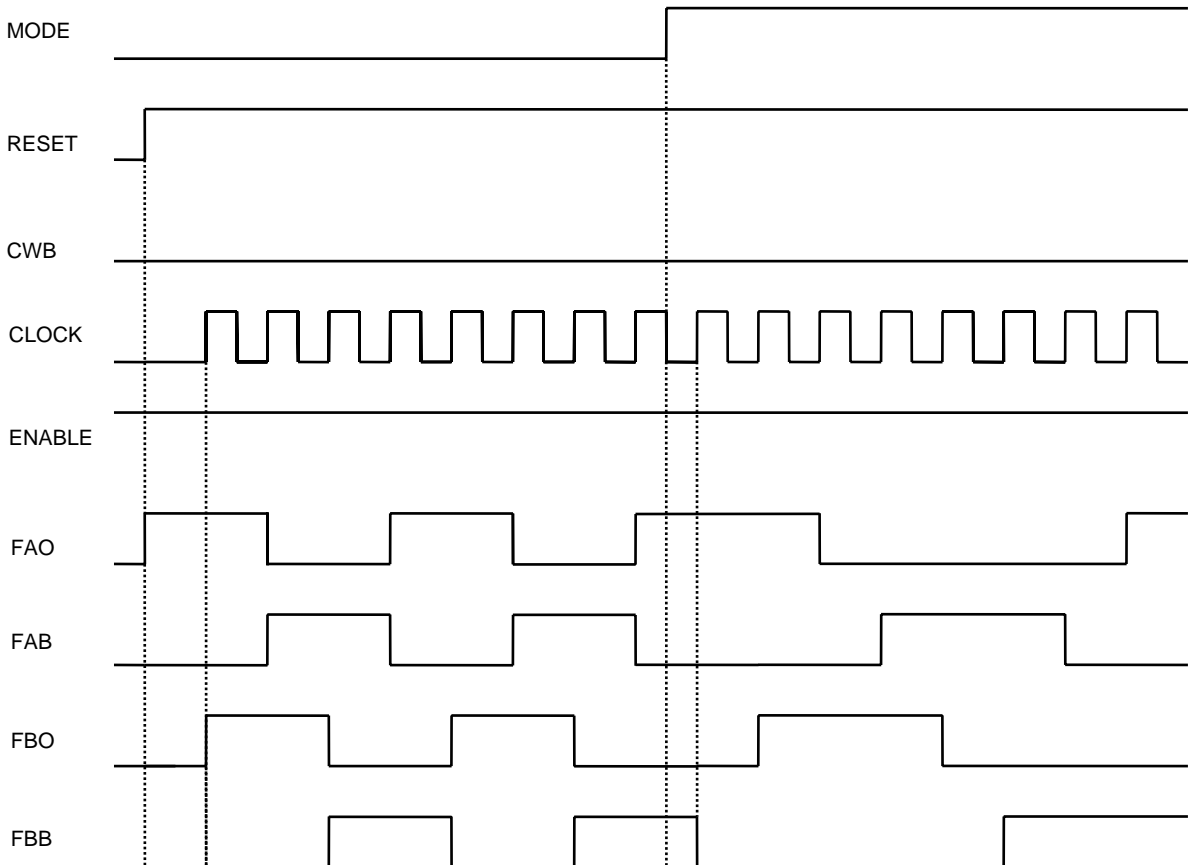
1-2 phase excitation



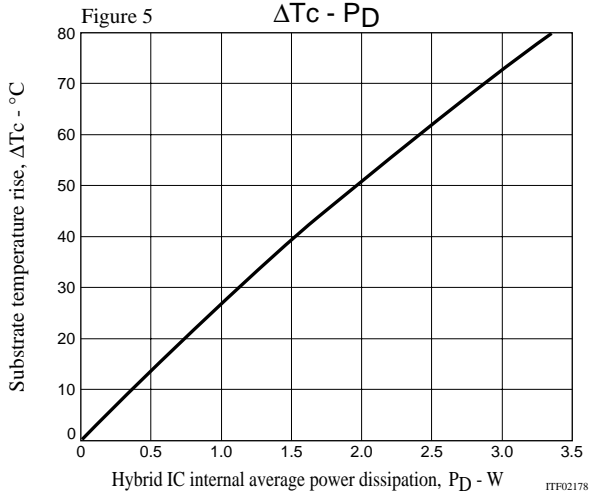
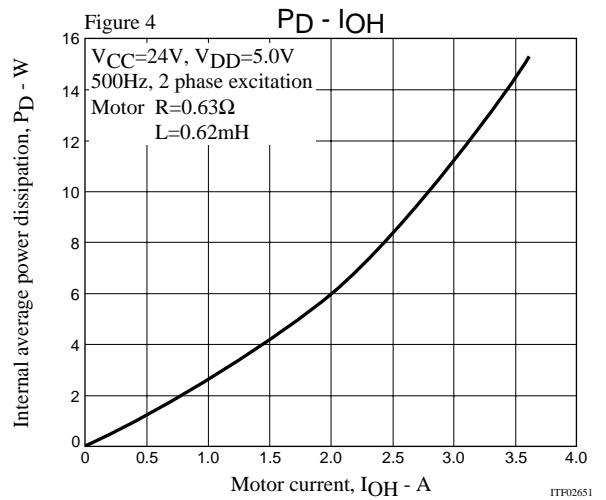
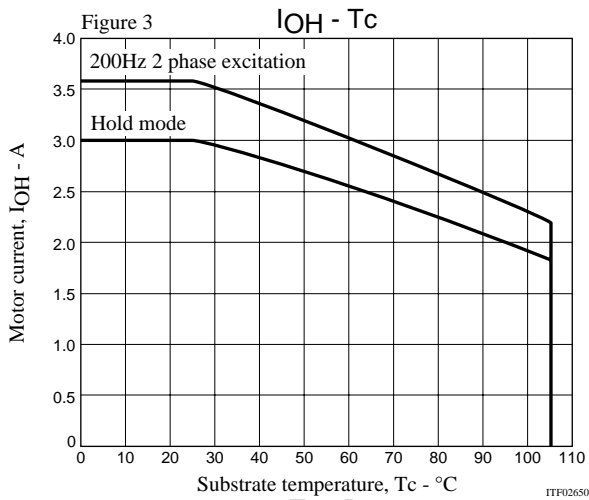
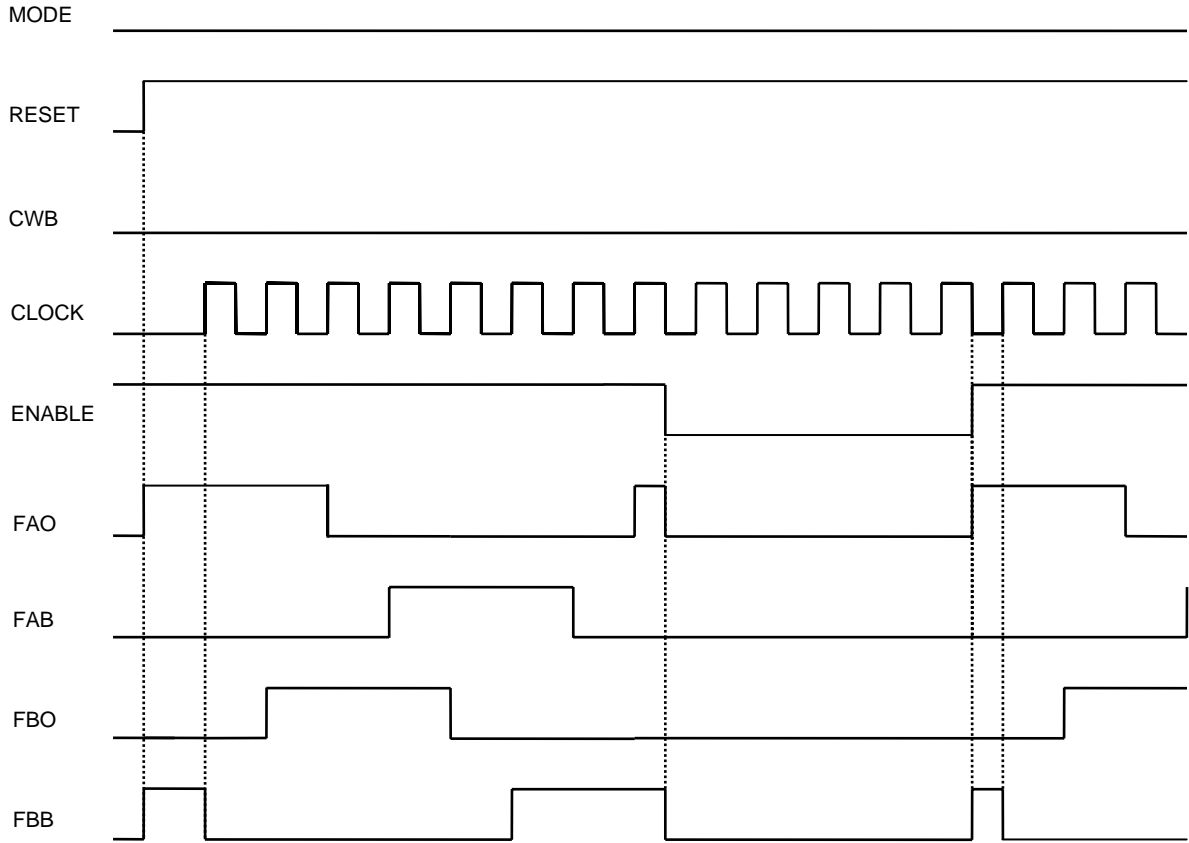
1-2 phase excitation (CWB)



Switching from 2-phase to 1-2 phase excitation



## 1-2 phase excitation (ENABLE)



- SANYO Semiconductor Co.,Ltd. assumes no responsibility for equipment failures that result from using products at values that exceed, even momentarily, rated values (such as maximum ratings, operating condition ranges, or other parameters) listed in products specifications of any and all SANYO Semiconductor Co.,Ltd. products described or contained herein.
- SANYO Semiconductor Co.,Ltd. strives to supply high-quality high-reliability products, however, any and all semiconductor products fail or malfunction with some probability. It is possible that these probabilistic failures or malfunction could give rise to accidents or events that could endanger human lives, trouble that could give rise to smoke or fire, or accidents that could cause damage to other property. When designing equipment, adopt safety measures so that these kinds of accidents or events cannot occur. Such measures include but are not limited to protective circuits and error prevention circuits for safe design, redundant design, and structural design.
- In the event that any or all SANYO Semiconductor Co.,Ltd. products described or contained herein are controlled under any of applicable local export control laws and regulations, such products may require the export license from the authorities concerned in accordance with the above law.
- No part of this publication may be reproduced or transmitted in any form or by any means, electronic or mechanical, including photocopying and recording, or any information storage or retrieval system, or otherwise, without the prior written consent of SANYO Semiconductor Co.,Ltd.
- Any and all information described or contained herein are subject to change without notice due to product/technology improvement, etc. When designing equipment, refer to the "Delivery Specification" for the SANYO Semiconductor Co.,Ltd. product that you intend to use.
- Information (including circuit diagrams and circuit parameters) herein is for example only; it is not guaranteed for volume production.
- Upon using the technical information or products described herein, neither warranty nor license shall be granted with regard to intellectual property rights or any other rights of SANYO Semiconductor Co.,Ltd. or any third party. SANYO Semiconductor Co.,Ltd. shall not be liable for any claim or suits with regard to a third party's intellectual property rights which has resulted from the use of the technical information and products mentioned above.

This catalog provides information as of June, 2011. Specifications and information herein are subject to change without notice.