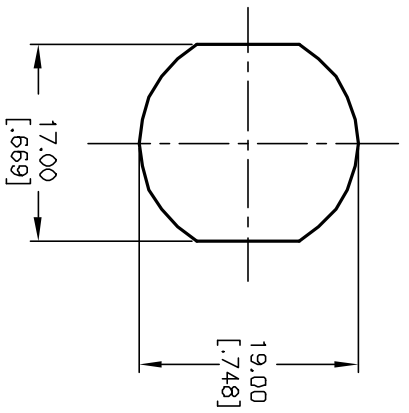


CIRCUIT: SPST
CONTACT CONFIGURATION

SWITCH FUNCTION	CONNECTED TERM#
POS 1	POS 2
↖	↗
DN	DN

() =MENTARY

LEGEND
 ○ =OFF POSITION
 ■ =INDICATES KEY PULL
 X =INDICATES NO KEY PULL



RECOMMENDED PANEL CUTOUT

- NOTES:
1. ALL DIMENSIONS IN MM [INCH]
 2. GENERAL TOLERANCE: X.X=±0.4
X.XX=±0.25
 3. TERM. NOS. FOR REFERENCE ONLY.
 4. RATING: 4A @125VAC, 2A @250VAC
 5. CONTACT RESISTANCE: 10mΩ-1-ΩMS
 6. DIELECTRIC STRENGTH: 1500 VAC-1Minute
 7. INSULATION RESISTANCE: 200MΩ-ΩHMS
 8. MATERIALS:
 HOUSING: ZINC ALLOY DIE CAST
 CYLINDER: ZINC ALLOY W/CHROME PLATING
 TERMINAL AND CONTACTS: SILVER PLATED
 KEYS (2) CODE 10001: TUBULAR STEEL, NICKEL PLATED

RELEASSED FOR PRODUCTION

REV.	ECN No.	DESCRIPTION	DATE	CHKD
A	11738	RELEASED FOR PRODUCTION	10/15/01	CJB

TITLE	SCALE	DATE	DR	DWG	REV
K0113C-10001	1.5:1	10/15/01	CJB	K200103	A

E-SWITCH®

THE INFORMATION CONTAINED IN THIS DOCUMENT IS PROPRIETARY TO E-SWITCH AND IS NOT TO BE COPIED OR TRANSFERRED