

Precision Micropower 2.5V Shunt Voltage Reference

FEATURES

- Low temperature coefficient 100 ppm/°C
- Operating current range 100µA to 15 mA
- Low power, 250 mW @ I_{in}=100 mA
- Two terminal "Zener" operation
- Small package: SOT - 23, TO-92, and SO-8
- Fixed reverse breakdown voltage 2.5 Volt
- No output capacitance required
- Similar replacement for LM4040

APPLICATIONS

- Constant Current Source
- Digital Voltmeter
- Power Supply Monitor
- Precision Regulators
- Battery-Powered Equipment
- Instrumentation
- Automotive Electronics
- Data Acquisition Systems
- Energy Management

PRODUCT DESCRIPTION

The AS4040 is a two-terminal, temperature compensated, band-gap voltage reference, which provides a fixed 2.5V output for input currents between 100 µA to 15mA. The bandgap voltage (2.5V) is independently trimmed from the output voltage to achieve a very low tempco. This trimming technique process gives a very stable device over the full temperature range (A grade 50 ppm/ °C). The AS4040 is available in the sub-miniature (3mm × 1.3mm) SOT-23, SO-8 surface mount package, or TO-92 package. The operating temperature is -40°C to 85°C.

The ALPHA Semiconductor AS4040 advanced design eliminates the need for an external stabilized capacitor while insuring stability with any capacitive load, making them easy to use.

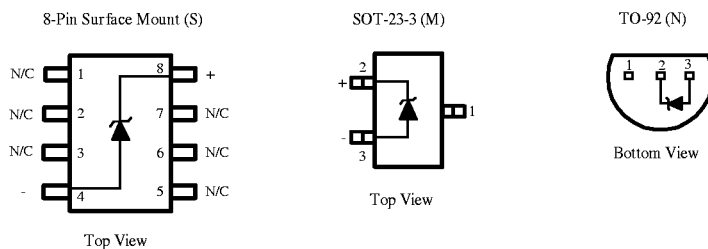
ORDERING INFORMATION

Part Number	Package Type
AS4040YN-X-V	TO-92
AS4040YS-X-V	SO-8
AS4040YM-X-V	SOT-23

Note: Consult factory for lower tempco and tolerance.

Temperature Coef.	Output Accuracy	Reverse Breakdown Voltage							
Y= <table border="1" style="display: inline-table; vertical-align: middle;"> <tr><td>A=100ppm/°C</td></tr> <tr><td>B=150ppm/°C</td></tr> </table>	A=100ppm/°C	B=150ppm/°C	X= <table border="1" style="display: inline-table; vertical-align: middle;"> <tr><td>1=0.5%</td></tr> <tr><td>2=1%</td></tr> <tr><td>3=2%</td></tr> </table>	1=0.5%	2=1%	3=2%	V= <table border="1" style="display: inline-table; vertical-align: middle;"> <tr><td>2.5 = 2.5V</td></tr> <tr><td>5.0 = 5.0V</td></tr> </table>	2.5 = 2.5V	5.0 = 5.0V
A=100ppm/°C									
B=150ppm/°C									
1=0.5%									
2=1%									
3=2%									
2.5 = 2.5V									
5.0 = 5.0V									

PIN CONNECTIONS



ABSOLUTE MAXIMUM RATINGS

Reverse Current.....	20mA
Forward Current.....	10mA
Storage Temperature	-65°C to +150°C
Lead Temperature (Soldering).....	300°C

Power Dissipation at 25°C

M Package.....	300mW
N Package.....	550mW
S Package	525mW
Temperature Range	-40°C ≤ T _A ≤ +85°C

ELECTRICAL CHARACTERISTICS (AS4040-2.5V)

Electrical Characteristics at I_{IN} = 1000μA, and T_A = +25°C unless otherwise noted. . Boldface limits apply over temperature

Parameters	Conditions	AS4040A-1			AS4040B-1			AS4040C-1			Units
		Min	Typ	Max	Min	Typ	Max	Min	Typ	Max	
Reverse Breakdown Voltage	I _R =500 μA		2.500			2.500			2.500		V
Reverse Breakdown tolerance	I _R =500 μA			±12 ±29			±12 ±29			±12 ±29	mV mV
Output Impedance			0.60 0.3	2 0.9		0.60 0.3	2 1.1		0.60 0.3	2 1.1	Ω
Noise Voltage	0.1KHz≤f ≤10Hz		15			15			15		μV p-p
Tempco	Note 1			100			150			150	ppm/°C
Turn-on Setting	0.1% of V _{OUT}		30			30			30		μSec
Operating Current Range	Note 2	0.1		15	0.1		15	0.1		15	mA
Temp. Range		-40		85	-40		85	-40		85	°C
Parameters	Conditions	AS4040A-2			AS4040B-2			AS4040C-2			Units
		Min	Typ	Max	Min	Typ	Max	Min	Typ	Max	
Reverse Breakdown Voltage	I _R =500 μA		2.500			2.500			2.500		V
Reverse Breakdown Tolerance	I _R =500 μA			±25 ±49			±25 ±49			±25 ±49	mV mV
Output Impedance			0.60	2		0.60	2		0.60	2	Ω
Noise Voltage	0.1KHz≤f ≤10Hz		15			15			15		μV p-p
Tempco	Note 1			50			100			150	ppm/°C
Turn-on Setting	0.1% of V _{OUT}		30			30			30		μSec
Operating Current Range	Note 2	0.1		15	0.1		15	0.1		15	mA
Temp. Range		-40		85	-40		85	-40		85	°C
Parameters	Conditions	AS4040A-3			AS4040B-3			AS4040C-3			Units
		Min	Typ	Max	Min	Typ	Max	Min	Typ	Max	
Reverse Breakdown Voltage	I _R =500 μA		2.500			2.500			2.500		V
Reverse Breakdown Tolerance	I _R =500 μA			±50 ±74			±50 ±74			±50 ±74	mV mV
Output Impedance			0.60	2		0.60	2		0.60	2	Ω
Noise Voltage	0.1KHz≤f ≤10Hz		15			15			15		μV p-p
Tempco	Note 1			50			100			150	ppm/°C
Turn-on Setting	0.1% of V _{OUT}		30			30			30		μSec
Operating Current Range	Note 2	0.1		15	0.1		15	0.1		15	mA
Temp. Range		-40		85	-40		85	-40		85	°C

ELECTRICAL CHARACTERISTICS (AS4040-5.0V)

Electrical Characteristics at $I_{IN} = 1000\mu A$, and $T_A = +25^\circ C$ unless otherwise noted. . Boldface limits apply over temperature

Parameters	Conditions	AS4040A-1			AS4040B-1			AS4040C-1			Units
		Min	Typ	Max	Min	Typ	Max	Min	Typ	Max	
Reverse Breakdown Voltage	$I_R=500\mu A$		5.000			5.000			5.000		V
Reverse Breakdown tolerance	$I_R=500\mu A$			± 24 ± 58			± 24 ± 58			± 24 ± 58	mV mV
Output Impedance			0.60 0.3	2 0.9		0.60 0.3	2 1.1		0.60 0.3	2 1.1	Ω
Noise Voltage	$0.1KHz \leq f \leq 10Hz$		15			15			15		μV p-p
Tempco	Note 1			100			150			150	ppm/ $^\circ C$
Turn-on Setting	0.1% of V_{OUT}		30			30			30		μSec
Operating Current Range	Note 2	0.175		15	0.175		15	0.175		15	mA
Temp. Range		-40		85	-40		85	-40		85	$^\circ C$
Parameters	Conditions	AS4040A-2			AS4040B-2			AS4040C-2			Units
		Min	Typ	Max	Min	Typ	Max	Min	Typ	Max	
Reverse Breakdown Voltage	$I_R=500\mu A$		5.000			5.000			5.000		V
Reverse Breakdown Tolerance	$I_R=500\mu A$			± 50 ± 98			± 50 ± 98			± 50 ± 98	mV mV
Output Impedance			0.60	2		0.60	2		0.60	2	Ω
Noise Voltage	$0.1KHz \leq f \leq 10Hz$		15			15			15		μV p-p
Tempco	Note 1			50			100			150	ppm/ $^\circ C$
Turn-on Setting	0.1% of V_{OUT}		30			30			30		μSec
Operating Current Range	Note 2	0.175		15	0.175		15	0.175		15	mA
Temp. Range		-40		85	-40		85	-40		85	$^\circ C$
Parameters	Conditions	AS4040A-3			AS4040B-3			AS4040C-3			Units
		Min	Typ	Max	Min	Typ	Max	Min	Typ	Max	
Reverse Breakdown Voltage	$I_R=500\mu A$		5.000			5.000			5.000		V
Reverse Breakdown Tolerance	$I_R=500\mu A$			± 100 ± 148			± 100 ± 148			± 100 ± 148	mV mV
Output Impedance			0.60	2		0.60	2		0.60	2	Ω
Noise Voltage	$0.1KHz \leq f \leq 10Hz$		15			15			15		μV p-p
Tempco	Note 1			50			100			150	ppm/ $^\circ C$
Turn-on Setting	0.1% of V_{OUT}		30			30			30		μSec
Operating Current Range	Note 2	0.175		15	0.175		15	0.175		15	mA
Temp. Range		-40		85	-40		85	-40		85	$^\circ C$

- Note: 1) Three-point measurement guarantees the error band over the specified temperature range.
2) Optimum performance is obtained at currents below 1000 μA .
3) Limits are 100% production tested at 25 $^\circ C$. Limits over temperature are guaranteed through correlation using statistical quality control.

AS4040 Applications Hints

This device is designed for stable operation and has no need of an external capacitor between pin 4 and 8. The reference remains stable if a bypass capacitor is used.

SOT-23

The AS4040 in the SOT-23 package has a parasitic Schottky diode between pin 3 and pin 1. Pin 1 of SOT-23 must float or be connected to pin 3.

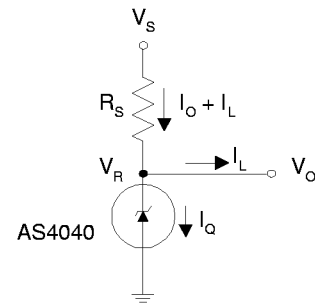
Conventional Shunt Regulator

In a conventional shunt regulator application (see Figure 1), an external series resistor (R_S) is connected between the supply voltage and the AS4040. R_S determines the current that flows through the load (I_L) and the reference (I_Q). Since load current and supply voltage may vary, R_S should be small enough to supply at least the minimum acceptable I_Q to the reference even when the supply voltage is at its minimum and the load current is at its maximum value. When the supply voltage is at its maximum and I_L is at its minimum, R_S should be large enough so that the current flowing through the AS4040 is less than 15mA

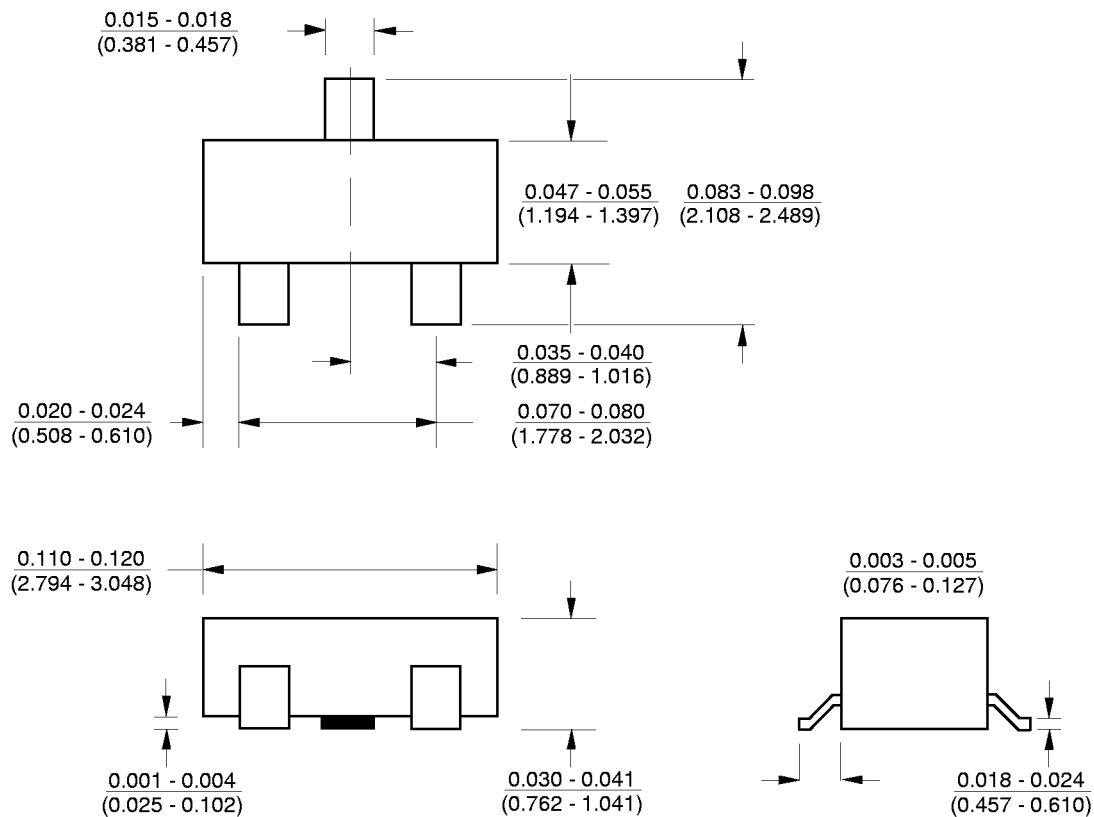
R_S is determined by the supply voltage (V_S), the load and operating current (I_L and I_Q), reference's reverse breakdown voltage (V_R).

$$R_S = (V_S - V_R)/(I_L + I_Q)$$

Figure 1. AS4040 Fixed Shunt Regulator Application



DRAWING PACKAGE
SOT-23-3L (M)



PACKAGE DRAWING
TO-92 (N)

