

PRODUCT NUMBER
91618-YXXZLF

WHEN NEEDED, SUFFIX LETTER "LF"
INDICATES THE PRODUCT IS RoHS
COMPATIBLE, SEE NOTE 7

OPTIONAL LETTER

A: PRODUCT WITH PICK UP CAP PACKED IN
TAPE & REEL SEE TA856.

B: PRODUCT WITH PICK UP CAP PACKED IN TUBE.

NUMBER OF POSITIONS PER ROW: 06 UP TO 30.
MORE THAN 30 POSITIONS ON SPECIAL REQUEST.

PLATING CODE

3= 0.76µm GOLD ON CONTACT AREA.

3.81µm TIN-LEAD ON TAIL.

4= 5µm TIN-LEAD ON CONTACT AREA.

3.81µm TIN-LEAD ON TAIL.

WHEN SUFFIX "LF" IS REQUIRED, 2µm MIN MATTE
TIN OVER 1.27 MIN Ni IS SUPPLIED INSTEAD OF SnPb.

NOTES:

- 1 - HOUSING MAT'L: THERMOPLASTIC GLASS FILLED
FLAME RETARDANT PER UL 94 V-0 COLOR: GREY.
- 2 - TERMINAL MATERIAL: PHOSPHOR BRONZE.
- 3 - 06 UP TO 30 POSITIONS PRODUCT PACKED IN TUBE.
- 4 - TO DETERMINE DIMENSIONS:
N = NUMBER OF POSITIONS PER ROW
EXAMPLE: 8 POS: $(N \times 2.54) - 0.08 = 20.24$ mm.
- 5 - RECOMMENDED IR PROFILE PER TA842.
- 6 - $\phi 2.65$ MINI FOR PICK & PLACE ASSEMBLY(=0 INSERTION FORCE).
- 7 - RoHS COMPATIBLE PRODUCT SPECIFICATIONS

a - PLATING:

- "LF" MEANS THE PRODUCT IS LEAD-FREE,
2µm MINIMUM MATTE TIN OVER 1.27µm
MINIMUM NICKEL UNDERPLATE.

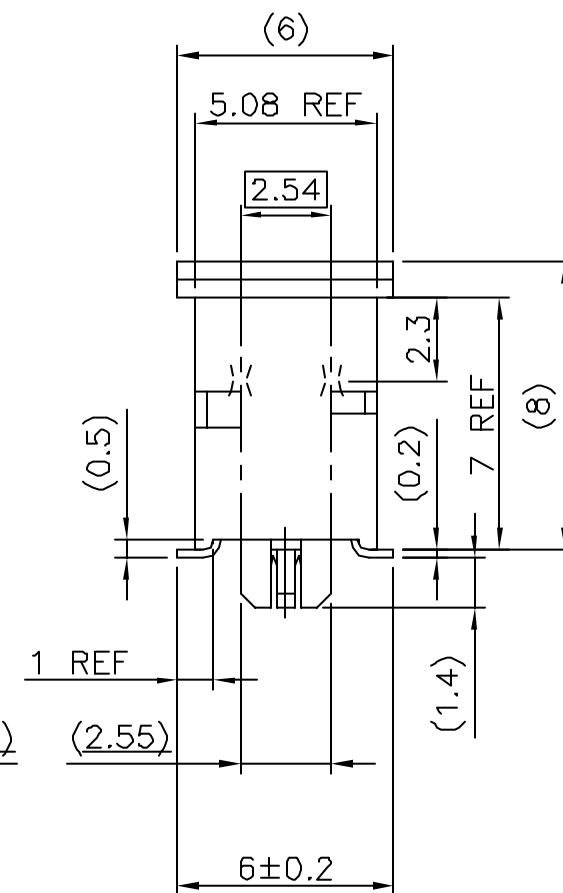
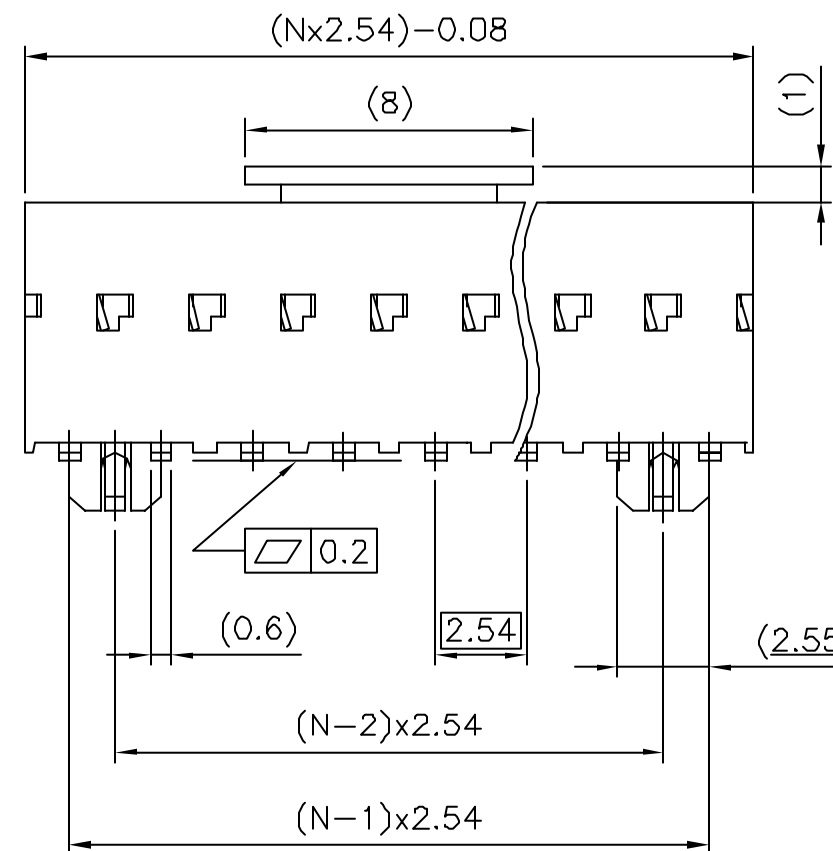
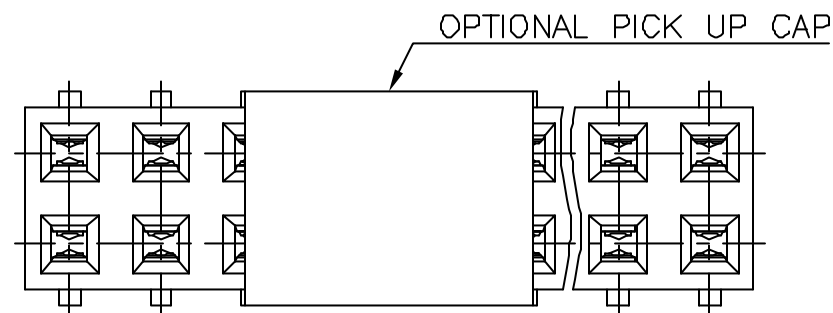
b - MANUFACTURING PROCESS COMPATIBILITY

- THE HOUSING WILL WITHSTAND EXPOSURE TO
260°C PEAK TEMPERATURE FOR 30 SECONDS
MAX IN A CONVECTION, INFRA-RED OR VAPOR
PHASE OR REFLOW OVEN.

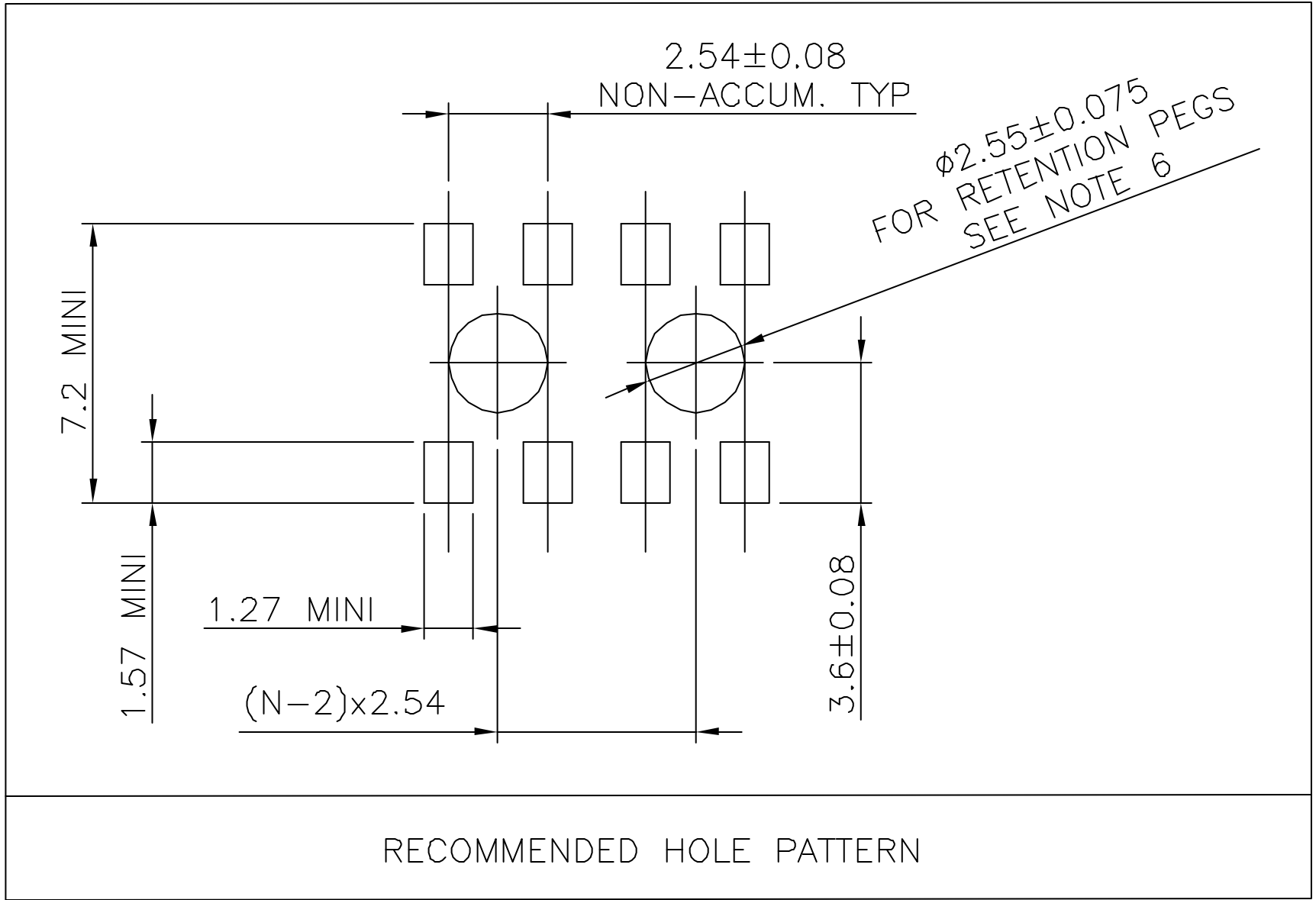
c - LABELING:

- MEETS PACKAGING SPECS AS PER GS-14-920

d - LEGAL STATEMENT: SEE GS-22-008



mat'l. code SEE NOTES				surface ISO 1302	tolerance ISO 406 ISO 1101	projection	product family DUBOX
ltr	ecn no	dr	date	tolerances unless otherwise specified		mm	title BtB RECEPT. VERT DR SMT
N	F10110	GCO	01.01.16	angles	linear		
P	F20548	DLE	02.10.08			scale 5/1	dwg no 91618 sheet 1 of 2 size A3
R	F04-0347	DLE	04.11.10				
S	F06-0137	DLE	06.02.27	dr	D LEGRAND	02.10.08	type CUSTOMER Drawing
T	F06-0204	DLE	06.06.23	enr	P NIZZI	02.10.08	
				chr	JF NOTTEAU	02.10.08	
				appd	P NZ	02.10.08	
sheet index	revision sheet	T	B				
		1	2				



FCIconnect.com

Copyright FCI

mat'l. code SEE NOTES				surface ISO 1302 ✓		tolerance ISO 406 ISO 1101		projection 		product family DUBOX				
ltr				ecn no		dr		date		title				
A				F04-0347		DLE		04.11.10		BtB RECEPT. VERT DR SMT				
B				F06-0204		DLE		06.06.23						
				angles		linear		±0.3		mm				
				±2'						scale 5/1				
				dr		D LEGRAND		04.11.10		dwg no		sheet 2 of -		size
				engr		P NIZZI		04.11.10		91618				A4
				chr		D LEGRAND		04.11.10		type		CUSTOMER		Drawing
				appd		P NZ		04.11.10						
sheet index		revision sheet												