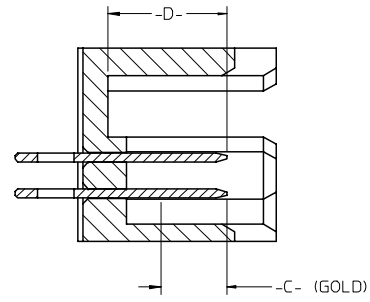
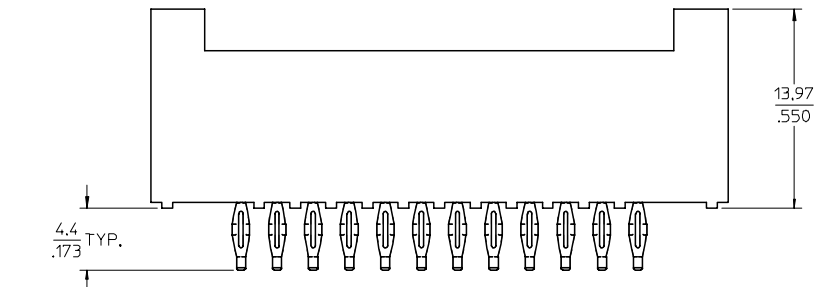
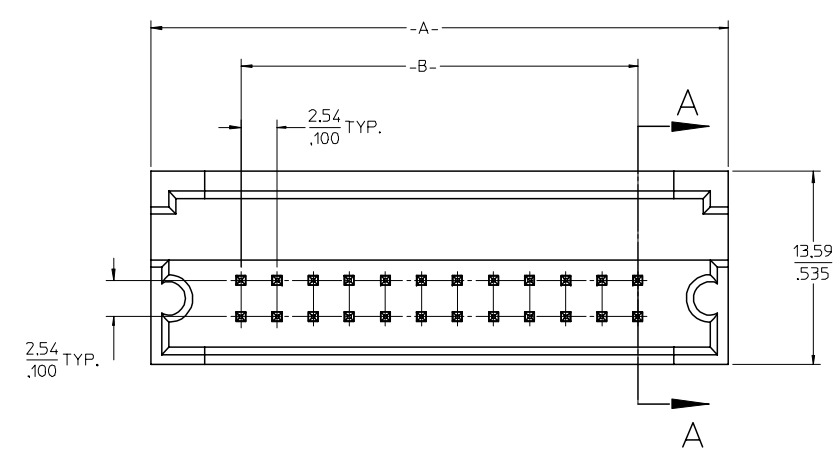


13 12 11 10 9 8 7 6 5 4 3 2



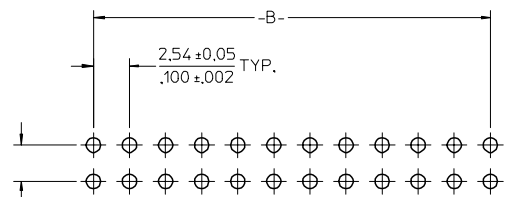
SECTION A-A

NOTES:

- MATERIAL:
INSULATOR: 30% GF NYLON, UL94V-0, COLOR - BLACK.
TERMINAL: COPPER ALLOY.
- PLATING OPTIONS:
A- 30 MICROINCHES SELECT GOLD AND 100 MICROINCHES SELECT TIN IN PC TAL AREA, OVER NICKEL OVERALL.*
B- 15 MICROINCHES SELECT GOLD AND 100 MICROINCHES SELECT TIN IN PC TAL AREA, OVER NICKEL OVERALL.*
C- 200 MICROINCHES TIN OVER NICKEL OVERALL.
- PRODUCT SPECIFICATION: PS-75100-001.
- PACKAGING SPECIFICATION: PK-70873-0070.
- RECOMMENDED PCB THICKNESS: .093 MM.

*THE PRIMARY SHIPPING CARTON WILL BE LABELED "COMPLIANT TO RoHS DIRECTIVE 2002/95/EC AND ELV ANNEX II OF DIRECTIVE 2000/53/EC". CARTONS WITHOUT THIS LABEL MAY CONTAIN PRODUCT WITH TIN-LEAD PLATING.

2.54 ± 0.05
.100 ± .002 TYP.



RECOMMENDED PCB LAYOUT (COMPONENT SIDE)

CURCUIT SIZE	75100	
	DIM -A-	DIM -B-
4	15.24/600	2.54/100
6	17.78/700	5.08/200
8	20.32/800	7.62/300
10	22.86/900	10.16/400
12	25.40/1000	12.70/500
14	27.94/1100	15.24/600
16	30.48/1200	17.78/700
18	33.02/1300	20.32/800
20	35.56/1400	22.86/900
22	38.10/1500	25.40/1000
24	40.64/1600	27.94/1100
26	43.10/1700	30.48/1200
28	45.72/1800	33.02/1300
30	48.26/1900	35.56/1400
32	50.80/2000	38.10/1500
34	53.34/2100	40.64/1600
36	55.88/2200	43.10/1700
38	58.42/2300	45.72/1800
40	60.96/2400	48.26/1900
42	63.50/2500	50.80/2000
44	66.04/2600	53.34/2100
46	68.58/2700	55.88/2200
48	71.12/2800	58.42/2300
50	73.66/2900	60.96/2400
52	76.20/3000	63.50/2500
54	78.74/3100	66.04/2600
56	81.28/3200	68.58/2700
58	83.82/3300	71.12/2800
60	86.36/3400	73.66/2900
62	88.90/3500	76.20/3000
64	91.44/3600	78.74/3100
66	93.98/3700	81.28/3200
68	96.52/3800	83.82/3300
70	99.06/3900	86.36/3400
72	101.60/4000	88.90/3500
74	104.14/4100	91.44/3600
76	106.68/4200	93.98/3700
78	109.22/4300	96.52/3800
80	111.76/4400	99.06/3900
82	114.30/4500	101.60/4000
84	116.84/4600	104.14/4100
86	119.38/4700	106.68/4200
88	121.92/4800	109.22/4300
90	124.46/4900	111.76/4400
92	127.00/5000	114.30/4500
94	129.54/5100	116.84/4600
96	132.08/5200	119.38/4700
98	134.62/5300	121.92/4800
100	137.16/5400	124.46/4900
102	139.70/5500	127.00/5000
104	142.24/5600	129.54/5100
106	144.78/5700	132.08/5200
108	147.32/5800	134.62/5300
110	149.86/5900	137.16/5400
112	152.40/6000	139.70/5500
114	154.94/6100	142.24/5600
116	157.48/6200	144.78/5700
118	160.02/6300	147.32/5800
120	162.56/6400	149.86/5900
122	165.10/6500	152.40/6000
124	167.64/6600	154.94/6100
126	170.18/6700	157.48/6200
128	172.72/6800	160.02/6300
130	175.26/6900	162.56/6400

GENERAL DOCS	2.3	B
ANNOTATOR	1	B
SOFTWARE	SHEET	REV.

ADD CARTON NOTE EC NO: JCP2004-2031 DRWN: CSTEWAR2004/05/18 CHK: YMARGUL2004/05/21 APPR: BVEAZIE2004/05/24	QUALITY SYMBOLS ▽ - 0 ◻ - 0	GENERAL TOLERANCES (UNLESS SPECIFIED)		SCALE 4:1	DESIGN UNITS INCH	THIRD ANGLE PROJECTION	REVISE ON CAD ONLY		
		mm	INCH	DIMENSION STYLE MM/IN		.100 DUAL ROW HEADER FULLY SHROUDED WITH CPI TERMINALS			
		4 PLACES ± --- ± ---	3 PLACES ± --- ± .010	DRAWN BY DATE MARGULIS 02/03/28					
		2 PLACES ± 0.25 ± ---	1 PLACE ± --- ± ---	CHECKED BY DATE MARGULIS 02/03/28					
REV	DESCRIPTION	ANGULAR ± 1/2 °		APPROVED BY DATE FRY 02/03/28	MATERIAL NO.	DOCUMENT NO.	SHEET NO.		
		DRAFT WHERE APPLICABLE MUST REMAIN WITHIN DIMENSIONS		SEE CHART		SD-75100-001	1 OF 2		
THIS DRAWING CONTAINS INFORMATION THAT IS PROPRIETARY TO MOLEX INCORPORATED AND SHOULD NOT BE USED WITHOUT WRITTEN PERMISSION									

12 11 10 9 8 7 6 5 4 3 2 1

C GRID 100 HEADER DUAL ROW SHROUDED WITH COMPLIANT PINS

DIM D:	8.36/.329
PLATING:	"A" – 30 GOLD
GOLD AREA DIM C:	5.08/.200
VOID CKT:	NONE
PACKAGING:	PK-70873-0070

CKT	MATERIAL NO.	CKT	MATERIAL NO.	CKT	MATERIAL NO.
--	--	52	75100-0025	102	75100-0050
04	75100-0001	54	75100-0026	104	75100-0051
06	75100-0002	56	75100-0027	106	75100-0052
08	75100-0003	58	75100-0028	108	75100-0053
10	75100-0004	60	75100-0029	110	75100-0054
12	75100-0005	62	75100-0030	112	75100-0055
14	75100-0006	64	75100-0031	114	75100-0056
16	75100-0007	66	75100-0032	116	75100-0057
18	75100-0008	68	75100-0033	118	75100-0058
20	75100-0009	70	75100-0034	120	75100-0059
22	75100-0010	72	75100-0035	122	75100-0060
24	75100-0011	74	75100-0036	124	75100-0061
26	75100-0012	76	75100-0037	126	75100-0062
28	75100-0013	78	75100-0038	128	75100-0063
30	75100-0014	80	75100-0039	130	75100-0064
32	75100-0015	82	75100-0040	--	--
34	75100-0016	84	75100-0041	--	-
36	75100-0017	86	75100-0042	--	--
38	75100-0018	88	75100-0043	--	--
40	75100-0019	90	75100-0044	--	--
42	75100-0020	92	75100-0045	--	--
44	75100-0021	94	75100-0046	--	--
46	75100-0022	96	75100-0047	--	--
48	75100-0023	98	75100-0048	--	--
50	75100-0024	100	75100-0049	--	--

DIM D:	8.36/.329
PLATING:	"B" – 15 GOLD
GOLD AREA DIM C:	5.08/.200
VOID CKT:	NONE
PACKAGING:	PK-70873-0070

CKT	MATERIAL NO.	CKT	MATERIAL NO.	CKT	MATERIAL NO.
--	--	52	75100-0089	102	75100-0114
04	75100-0065	54	75100-0090	104	75100-0115
06	75100-0066	56	75100-0091	106	75100-0116
08	75100-0067	58	75100-0092	108	75100-0117
10	75100-0068	60	75100-0093	110	75100-0118
12	75100-0069	62	75100-0094	112	75100-0119
14	75100-0070	64	75100-0095	114	75100-0120
16	75100-0071	66	75100-0096	116	75100-0121
18	75100-0072	68	75100-0097	118	75100-0122
20	75100-0073	70	75100-0098	120	75100-0123
22	75100-0074	72	75100-0099	122	75100-0124
24	75100-0075	74	75100-0100	124	75100-0125
26	75100-0076	76	75100-0101	126	75100-0126
28	75100-0077	78	75100-0102	128	75100-0127
30	75100-0078	80	75100-0103	130	75100-0128
32	75100-0079	82	75100-0104	--	--
34	75100-0080	84	75100-0105	--	--
36	75100-0081	86	75100-0106	--	--
38	75100-0082	88	75100-0107	--	--
40	75100-0083	90	75100-0108	--	--
42	75100-0084	92	75100-0109	--	--
44	75100-0085	94	75100-0110	--	--
46	75100-0086	96	75100-0111	--	--
48	75100-0087	98	75100-0112	--	--
50	75100-0088	100	75100-0113	--	--

REV: A	SEE SHEET ONE	TITLE: .100 DUAL ROW HEADER FULLY SHROUDED WITH CPI TERMINALS	SHEET No. - 2 -
DOCUMENT NUMBER: SD-75100-001	CREATED / REVISED BY: SAMIEC	CHECKED BY: MARGULIS	APPROVED BY: MARGULIS

C GRID 100 HEADER DUAL ROW SHROUDED WITH COMPLIANT PINS

DIM D:	8.36/.329
PLATING:	"C" - TIN
GOLD AREA DIM C:	N/A
VOID CKT:	NONE
PACKAGING:	PK-70873-0070

CKT	MATERIAL NO.	CKT	MATERIAL NO.	CKT	MATERIAL NO.
--	--	52	75100-0153	102	75100-0178
04	75100-0129	54	75100-0154	104	75100-0179
06	75100-0130	56	75100-0155	106	75100-0180
08	75100-0131	58	75100-0156	108	75100-0181
10	75100-0132	60	75100-0157	110	75100-0182
12	75100-0133	62	75100-0158	112	75100-0183
14	75100-0134	64	75100-0159	114	75100-0184
16	75100-0135	66	75100-0160	116	75100-0185
18	75100-0136	68	75100-0161	118	75100-0186
20	75100-0137	70	75100-0162	120	75100-0187
22	75100-0138	72	75100-0163	122	75100-0188
24	75100-0139	74	75100-0164	124	75100-0189
26	75100-0140	76	75100-0165	126	75100-0190
28	75100-0141	78	75100-0166	128	75100-0191
30	75100-0142	80	75100-0167	130	75100-0192
32	75100-0143	82	75100-0168	--	--
34	75100-0144	84	75100-0169	--	--
36	75100-0145	86	75100-0170	--	--
38	75100-0146	88	75100-0171	--	--
40	75100-0147	90	75100-0172	--	--
42	75100-0148	92	75100-0173	--	--
44	75100-0149	94	75100-0174	--	--
46	75100-0150	96	75100-0175	--	--
48	75100-0151	98	75100-0176	--	--
50	75100-0152	100	75100-0177	--	--

DIM D:	
PLATING:	
GOLD AREA DIM C:	
VOID CKT:	
PACKAGING:	

CKT	MATERIAL NO.	CKT	MATERIAL NO.	CKT	MATERIAL NO.
--	--	52		102	
04		54		104	
06		56		106	
08		58		108	
10		60		110	
12		62		112	
14		64		114	
16		66		116	
18		68		118	
20		70		120	
22		72		122	
24		74		124	
26		76		126	
28		78		128	
30		80		130	
32		82		--	--
34		84		--	--
36		86		--	--
38		88		--	--
40		90		--	--
42		92		--	--
44		94		--	--
46		96		--	--
48		98		--	--
50		100		--	--

REV: A	SEE SHEET ONE	TITLE: .100 DUAL ROW HEADER FULLY SHROUDED WITH CPI TERMINALS	SHEET No. - 3 -
DOCUMENT NUMBER: SD-75100-001	CREATED / REVISED BY: SAMIEC	CHECKED BY: MARGULIS	APPROVED BY: MARGULIS