

**ebm-papst St. Georgen GmbH & Co. KG**

Hermann-Papst-Straße 1

D-78112 St. Georgen

Phone +49 7724 81-0

Fax +49 7724 81-1309

info2@de.ebmpapst.com

www.ebmpapst.com

Nominal data

Type	618 J/2HHP	
Nominal voltage	VDC	48
Nominal voltage range	VDC	38 .. 58
Speed	min ⁻¹	15000
Power input	W	14.6
Min. ambient temperature	°C	-20
Max. ambient temperature	°C	75
Air flow	m ³ /h	82
Sound power level	B	7.6
Sound pressure level	dB(A)	62

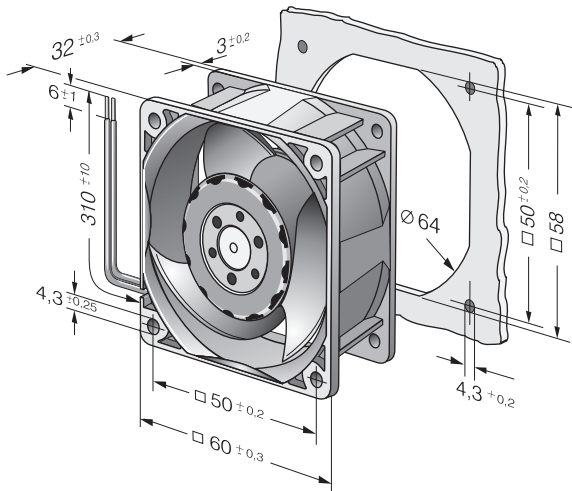
ml = max. load · me = max. efficiency · rfa = running at free air · cs = customer specs · cu = customer unit
Subject to alterations



Technical features

General description	<p>Particular design features: Rigid compression curve for high air flow at high counterpressure. Innovative impeller with winglets for low noise.</p> <p>General features: Material: fibreglass-reinforced plastic. Impeller PA, housing PBT. Electronic commutation completely integrated. Protected against reverse polarity and locking. Connection via single strands AWG 24, TR 64, bared and tin-plated. Air exhaust over bars. Rotational direction clockwise looking at rotor. Mass: 100 g.</p>
Mass	0.1 kg
Dimensions	60 x 60 x 32 mm
Lifetime L10 at 40 °C	65000 h
Lifetime L10 at maximum temperature	25000 h

Product drawing



Charts

