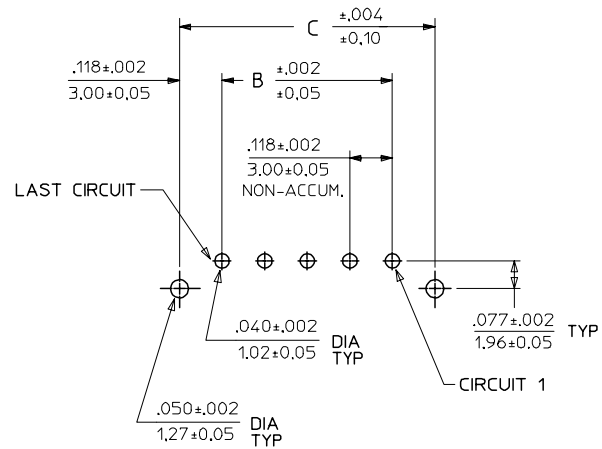
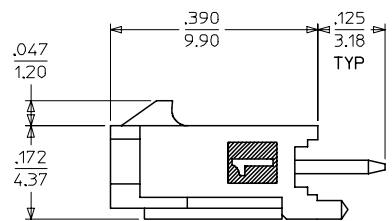
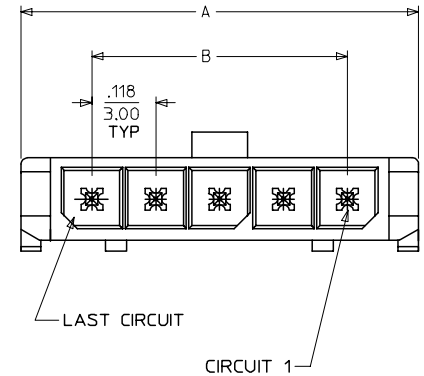
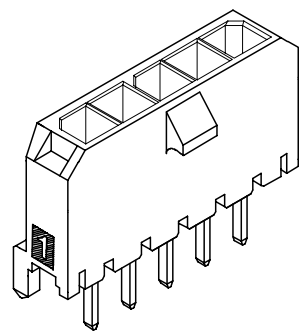
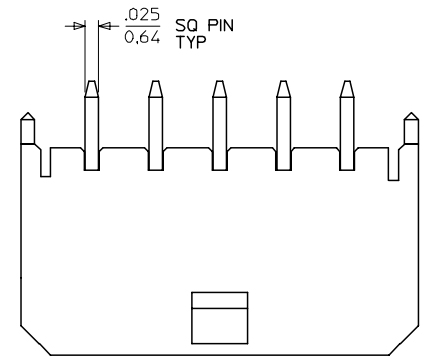


13 12 11 10 9 8 7 6 5 4 3 2 43650



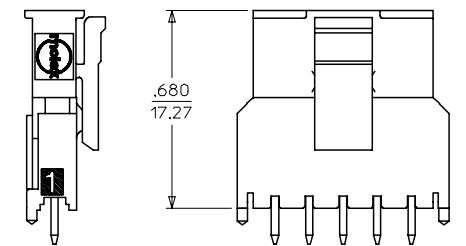
PCB LAYOUT: COMPONENT SIDE
RECOMMENDED PCB THICKNESS: .062/1.57

CKTS	A	B	C
2	.380 9.65	.118 3.00	.354 9.00
3	.498 12.65	.236 6.00	.472 12.00
4	.616 15.65	.354 9.00	.591 15.00
5	.734 18.64	.472 12.00	.709 18.00
6	.852 21.64	.591 15.00	.827 21.00
7	.970 24.64	.709 18.00	.945 24.00
8	1.088 27.64	.827 21.00	1.063 27.00
9	1.206 30.63	.945 24.00	1.181 30.00
10	1.325 33.66	1.063 27.00	1.299 33.00
11	1.443 36.65	1.181 30.00	1.417 36.00
12	1.561 39.65	1.299 33.00	1.535 39.00

NOTES:

- HOUSING MATERIAL: LIQUID CRYSTAL POLYMER. GLASS FILLED. UL94V-0. COLOR: BLACK
TERMINAL MATERIAL: BRASS ALLOY
- FINISH:
A = .000100/(0,00254) MIN. TIN OVER
.000050/(0,00127) MIN. NICKEL
B = .000015/(0,00038) MIN. SELECT GOLD IN CONTACT AREA
.000100/(0,00254) MIN. SELECT TIN ON SOLDER TAILS
BOTH OVER .000050/(0,00127) NICKEL OVERALL
C = .000030/(0,00076) MIN. SELECT GOLD IN CONTACT AREA
.000100/(0,00254) MIN. SELECT TIN ON SOLDER TAILS
BOTH OVER .000050/(0,00127) NICKEL OVERALL
- * THE PRIMARY SHIPPING CARTON WILL BE LABELED *COMPLIANT TO RoHS DIRECTIVE 2002/95/EC AND ELV ANNEX II OF DIRECTIVE 2000/53/EC.*
CARTONS WITHOUT THIS LABEL MAY CONTAIN PRODUCT WITH TIN/LEAD IN THE PC TAIL AREA.
- PRODUCT SPECIFICATION: PS-43650
- MATES WITH MICRO FIT (3.0) RECEPTACLE SERIES 43645
- TRAY PACKAGED : SEE MOLEX DRAWING PK-70873-0811

	FINISH A	FINISH B	FINISH C
CKTS	MATERIAL NO:	MATERIAL NO:	MATERIAL NO:
02	43650-0227	43650-0228	43650-0229
03	43650-0327	43650-0328	43650-0329
04	43650-0427	43650-0428	43650-0429
05	43650-0527	43650-0528	43650-0529
06	43650-0627	43650-0628	43650-0629
07	43650-0727	43650-0728	43650-0729
08	43650-0827	43650-0828	43650-0829
09	43650-0927	43650-0928	43650-0929
10	43650-1027	43650-1028	43650-1029
11	43650-1127	43650-1128	43650-1129
12	43650-1227	43650-1228	43650-1229



MATED MICRO FIT CONNECTORS

LEAD FREE EC NO: UCP2004-1276 DRWN: JCERNY 2004/03/31 CHKD: 2004/03/31 APPR: FSMITH 2004/04/07 507	QUALITY SYMBOLS ▽ = 0 ▽ = 0	GENERAL TOLERANCES (UNLESS SPECIFIED) mm INCH 4 PLACES ± --- ± --- 3 PLACES ± --- ± .010 2 PLACES ± 0.25 ± .014 1 PLACE ± 0.36 ± --- ANGULAR ± 1/2°	SCALE --- DESIGN UNITS METRIC DIMENSION STYLE IN/MM DRAWN BY SAMIEC DATE 2000/07/07 CHECKED BY DATE MUELLER 2000/07/07 APPROVED BY DATE EDGLEY 2000/07/07	THIRD ANGLE PROJECTION REVISE ON CAD ONLY TITLE MICRO FIT (3.0) SINGLE ROW / VERTICAL THRU HOLE / PEGS / TRAY MOLEX MOLEX INCORPORATED MATERIAL NO. SEE CHART DOCUMENT NO. SD-43650-010 SHEET NO. 1 OF 1
	DRAFT WHERE APPLICABLE MUST REMAIN WITHIN DIMENSIONS		THIS DRAWING CONTAINS INFORMATION THAT IS PROPRIETARY TO MOLEX INCORPORATED AND SHOULD NOT BE USED WITHOUT WRITTEN PERMISSION	

12 11 10 9 8 7 6 5 4 3 2 1