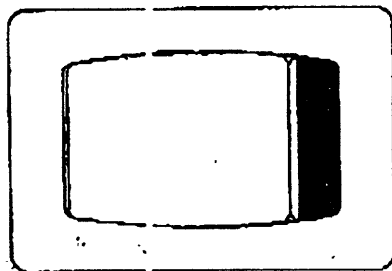


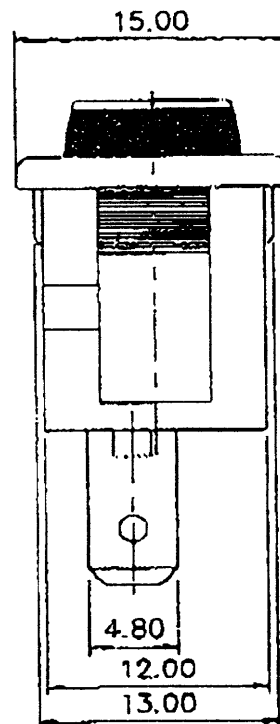
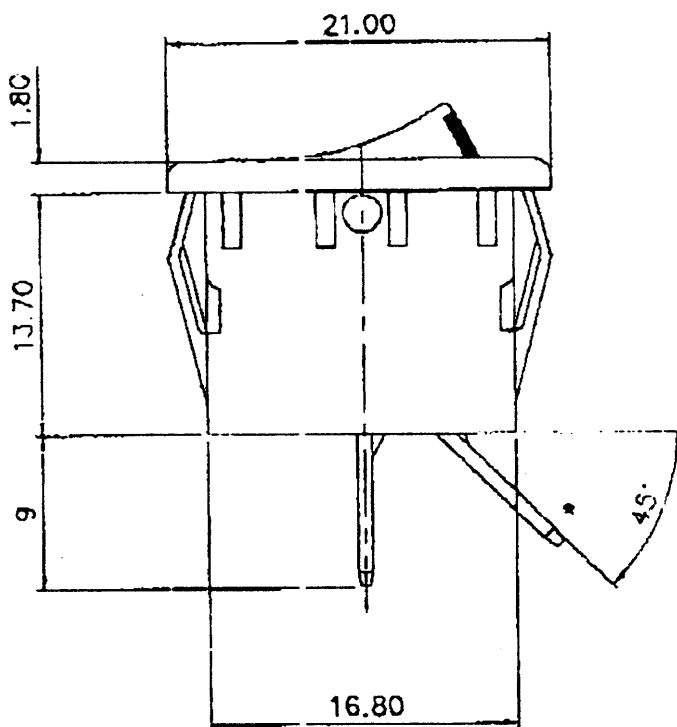
11/23

19986

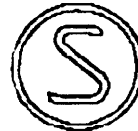
© COPYRIGHT THIS DRAWING IS ISSUED BY SWANN INDUSTRIES PTE LTD ON THE UNDERSTANDING THAT IT IS STRICTLY CONFIDENTIAL AND MAY NOT BE REPRODUCED OR UTILIZED IN ANY WAY WITHOUT PRIOR WRITTEN PERMISSION.



312-1707



APPROVALS



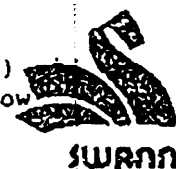
Farnell Code# N/A
 Series 23A B/B-5
 Yellow In-Lay on
 Button. QC.

Tolerances Unless Noted		Scale	2.5 : 1	Part No. RFA# 11680	
Whole No.	± 1.0	Material		Title SERIES 23 4.8 MM QC TERMINAL	
1 Place Decimal	± 0.5	Finishing		Drawn	CHRIS 19.07.99
2 Place Decimal	± 0.25	SWANN INDUSTRIES PTE		Checked	
Angles	± 8			Approved	
DO NOT SCALE					

10/23

SPECIFICATION AND APPROVALS

- 1) Model Number : RFA# 11680 (Farnell Code# N/A)
Series 23 A SPST B/B-S with Yellow
In-Lay on Button, OC.
- 2) Description : Rocker Switch
- 3) Name of Manufacturer : Swann Industries Pte Ltd
- 4) Rating : UL - 8A 125VAC
- 4A 250VAC
- 16A 12VDC
- 6A 28VDC
CSA - 8A 125VAC
- 4A 250VAC
- 6A 28VDC
VDE - 4A 250VAC
SEMKO - 4A 250VAC
- 5) Contact Resistance: : $20 \times 10^{-3} \Omega$
- 6) Insulation Resistance : $> 50 \times 10^6 \Omega$
- 7) Dielectric Strength : Up To 3.5kVAC
- 8) Mechanical Endurance : $> 100,000$ cycles
- 9) Circuit : SPST, SPDT.
Illumination (Optional).
- 10) Approvals & Certificate No. : UL E59618
CSA LR 52381
VDE 80667
SEMKO 9415222
- 11) Recommended Panel Cut-Out: Thickness (mm) Cut-Out Size (mm)
1.0 (min) 19.3 x 13.0
3.0 (max) 19.5 x 13.0
- 12) Terminal : 4.8mm Quick Connect
2.8mm Quick Connect
Solder Tail
PC Tail
Angle PC Tail



312-1707

Issued by :

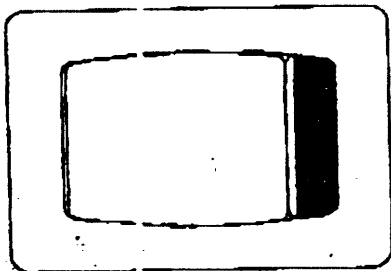


Date :

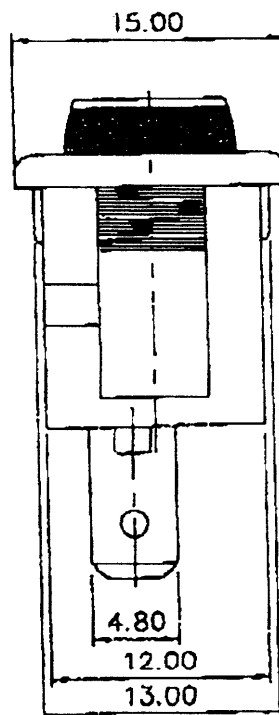
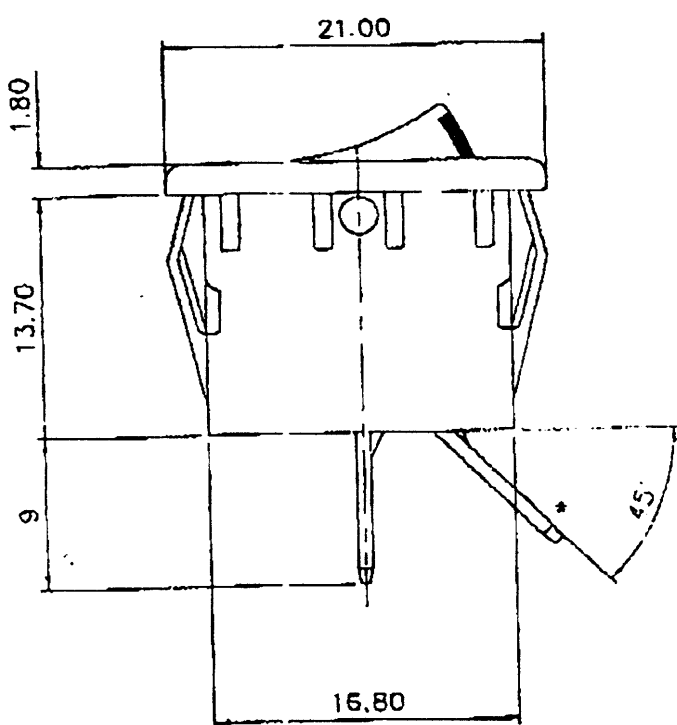
13 JUN 97

9/23

© COPYRIGHT THIS DRAWING IS ISSUED BY SWANN INDUSTRIES PTE LTD ON THE UNDERSTANDING THAT IT IS STRICTLY CONFIDENTIAL AND MAY NOT BE REPRODUCED OR UTILIZED IN ANY WAY WITHOUT PRIOR WRITTEN PERMISSION.




312-1690



APPROVALS



Farnell Code# N/A
Series 23A B/B-S
Blue In-Lay on
Button, QC.

Tolerances Unless Noted		Scale	2.5 : 1	Part No. RFA# 11680	
Whole No.	± 1.0	Material		Title SERIES 23 4.8 MM QC TERMINAL.	
1 Place Decimal	± 0.5	Finishing		Drawn	CHRIS 19.07.99
2 Place Decimal	± 0.25	 SWANN INDUSTRIES PTE LTD	Checked		
Angles	± 0°		Approved		
DO NOT SCALE					

8/23

SPECIFICATION AND APPROVALS

- 1) Model Number : RFA# 11680 (Farnell Code# N/A)
Series 23 A SPST B/B-S with Blue
In-Lay on Button, QC.
- 2) Description : Rocker Switch
- 3) Name of Manufacturer : Swann Industries Pte Ltd
- 4) Rating : UL - 8A 125VAC
- 4A 250VAC
- 16A 12VDC
- 6A 28VDC
CSA - 8A 125VAC
- 4A 250VAC
- 6A 28VDC
VDE - 4A 250VAC
SEMKO - 4A 250VAC
- 5) Contact Resistance : $20 \times 10^{-3} \Omega$
- 6) Insulation Resistance : $> 50 \times 10^6 \Omega$
- 7) Dielectric Strength : Up To 3.5kVAC
- 8) Mechanical Endurance : >100,000 cycles
- 9) Circuit : SPST, SPDT.
Illumination (Optional).
- 10) Approvals & Certificate No. : UL E59618
CSA LR 52381
VDE 80667
SEMKO 9415222
- 11) Recommended Panel Cut-Out: Thickness (mm) Cut-Out Size (mm)
1.0 (min) 19.3 x 13.0
3.0 (max) 19.5 x 13.0
- 12) Terminal : 4.8mm Quick Connect
2.8mm Quick Connect
Solder Tail
PC Tail
Angle PC Tail

312-169

Issued by :



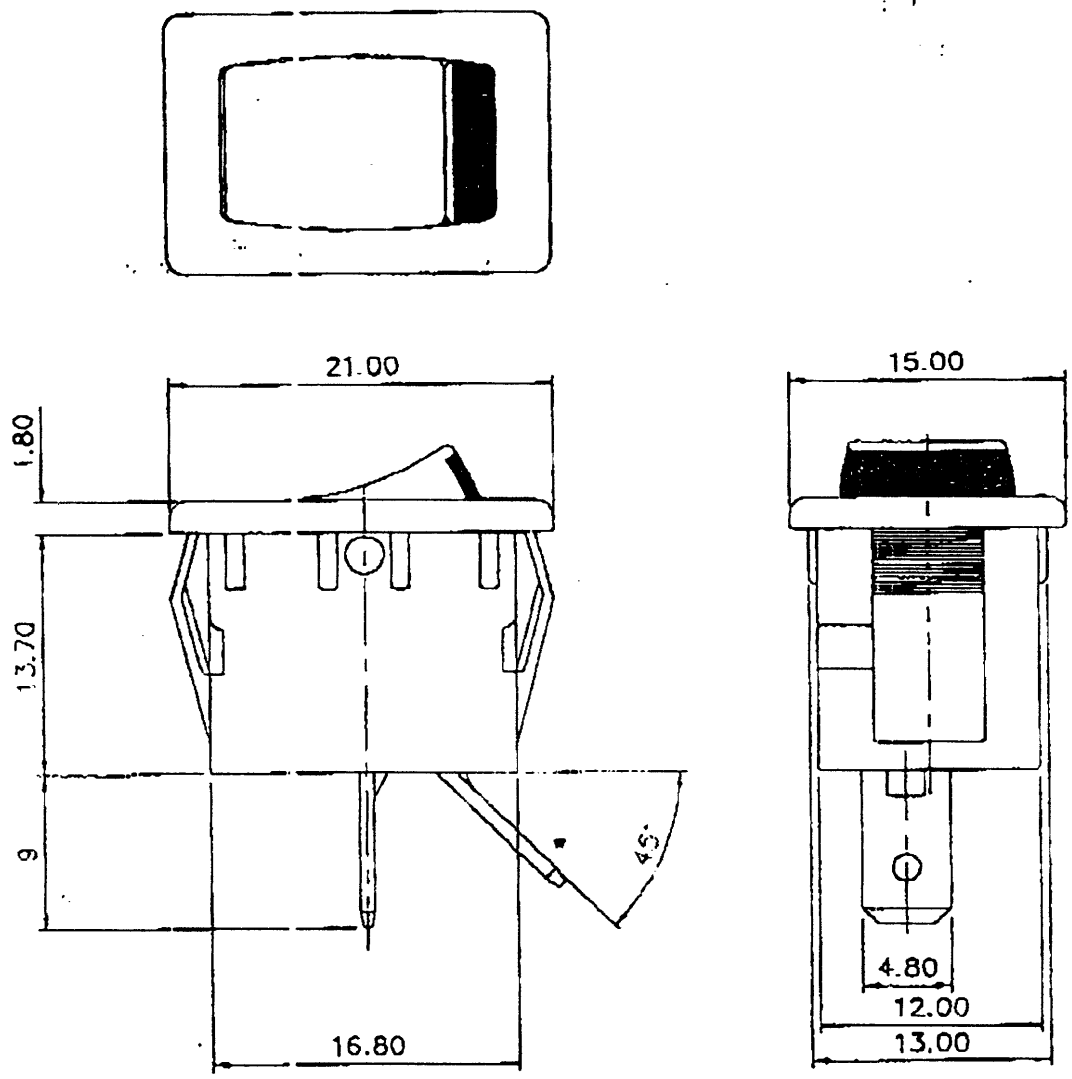
Date :

18 JUN 97

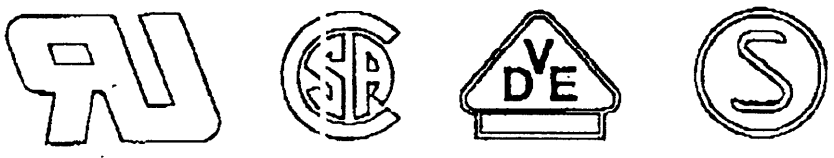
7/23

© COPYRIGHT THIS DRAWING IS ISSUED BY SWANN INDUSTRIES PTE LTD ON THE UNDERSTANDING THAT IT IS STRICTLY CONFIDENTIAL AND MAY NOT BE REPRODUCED OR UTILIZED IN ANY WAY WITHOUT PRIOR WRITTEN PERMISSION.


312-1689



APPROVALS



Farnell Code# 273-170
 Series 23A B/B-S
 Green In-Lay on
 Button, QC.

Tolerances Unless Noted		Scale	2.5 : 1	Part No. - RFA# 11680	
Whole No.	± 1.0	Material		Title SERIES 23	
1 Place Decimal	± 0.5	Finishing		4.8 MM OC TERMINAL	
2 Place Decimal	± 0.25	 SWANN INDUSTRIES PTE LTD	Drawn	CHRIS	19.07.99
Angles	± 8		Checked		
DO NOT SCALE			Approved		

6/23

SPECIFICATION AND APPROVALS



- 1) Model Number : RFA# 11680 (Farnell Code# 273-170)
Series 23 A SPST B/B-5 with Green
In-Lay on Button, QC.
- 2) Description : Rocker Switch
- 3) Name of Manufacturer : Swann Industries Pte Ltd
- 4) Rating :
 - UL - 8A 125VAC
 - 4A 250VAC
 - 16A 12VDC
 - 6A 28VDC
 - CSA - 8A 125VAC
 - 4A 250VAC
 - 6A 28VDC
 - VDE - 4A 250VAC
 - SEMKO - 4A 250VAC
- 5) Contact Resistance : $20 \times 10^{-3} \Omega$
- 6) Insulation Resistance : $> 50 \times 10^6 \Omega$
- 7) Dielectric Strength : Up To 3.5kVAC
- 8) Mechanical Endurance : $> 100,000$ cycles
- 9) Circuit : SPST, SPDT.
Illumination (Optional).
- 10) Approvals & Certificate No. :
 - UL E59618
 - CSA LR 52381
 - VDE 80667
 - SEMKO 9415222
- 11) Recommended Panel Cut-Out:

Thickness (mm)	Cut-Out Size(mm)
1.0 (min)	19.3 x 13.0
3.0 (max)	19.5 x 13.0
- 12) Terminal :
 - 4.8mm Quick Connect
 - 2.8mm Quick Connect
 - Solder Tail
 - PC Tail
 - Angle PC Tail

312-1689

To: Malcolm Lockhead
c/o ~~Janetta Dawkes~~

FR: AB LIM.

Issued by :



Date :

18 JUN 97

113-2794279