

PLEASE CHECK WWW.MOLEX.COM FOR LATEST PART INFORMATION

Part Number: [0799801063](#)
Status: **Active**
Overview: lfh
Description: 1.27mm (.050") Pitch Low Force Helix (LFH™) Matrix 50 Shielded Plug, Cable Kit, 60 Circuits, 3.0m (9.84') Length

Documents:

[Drawing \(PDF\)](#) [RoHS Certificate of Compliance \(PDF\)](#)

General

Product Family	Cable Assemblies
Series	79980
Connector to Connector	LFH™-to-LFH™
Overview	lfh
Product Name	LFH™
Physical	
Cable Length	3.0m (9.84')
Circuits (Loaded)	60
Color - Resin	Black
Gender	Plug/Plug
Lock to Mating Part	Yes
Material - Metal	Aluminum
Material - Plating Mating	Gold
Material - Plating Termination	Tin
Material - Resin	High Temperature Thermoplastic
Packaging Type	Bag
Pitch - Mating Interface (in)	0.050 In
Pitch - Mating Interface (mm)	1.27 mm
Plating min: Mating (µin)	30
Plating min: Mating (µm)	0.76
Plating min: Termination (µin)	100
Plating min: Termination (µm)	2.50
Single Ended	No
Termination Interface: Style	N/A
Waterproof / Dustproof	No
Wire Insulation Diameter	N/A
Wire Size AWG	28
Wire/Cable Type	Jacketed, Round

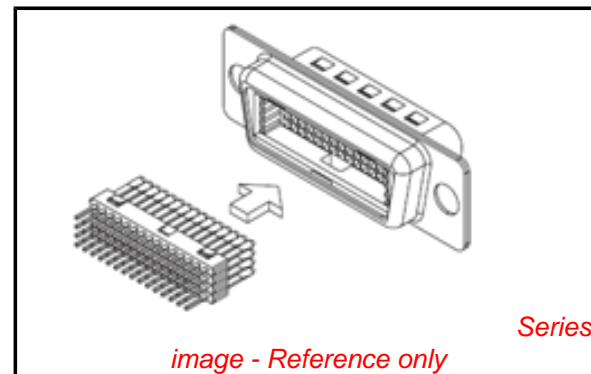
Electrical

Shield Type	Full Shield
Shielded	Yes

Material Info

Reference - Drawing Numbers

Sales Drawing	SD-79980-001
---------------	--------------



EU RoHS

**ELV and RoHS
Compliant**
REACH SVHC
 Not Reviewed
**Halogen-Free
Status**
 Not Reviewed

China RoHS



**Need more information on product
environmental compliance?**

Email productcompliance@molex.com
 For a multiple part number RoHS Certificate of
 Compliance, [click here](#)

Please visit the [Contact Us](#) section for any
 non-product compliance questions.

Search Parts in this Series

[79980Series](#)

Mates With

[70928 LFH™ Matrix 50 Receptacle](#) . [70929 LFH™ Matrix 50 Shielded Plug](#)

6

5

4

3

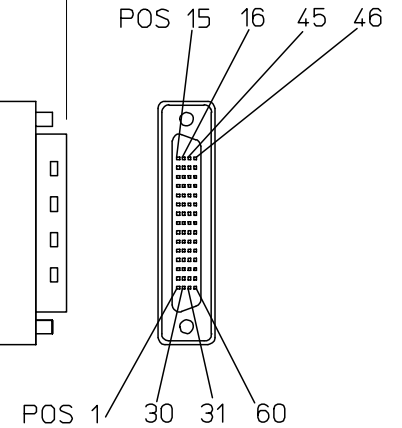
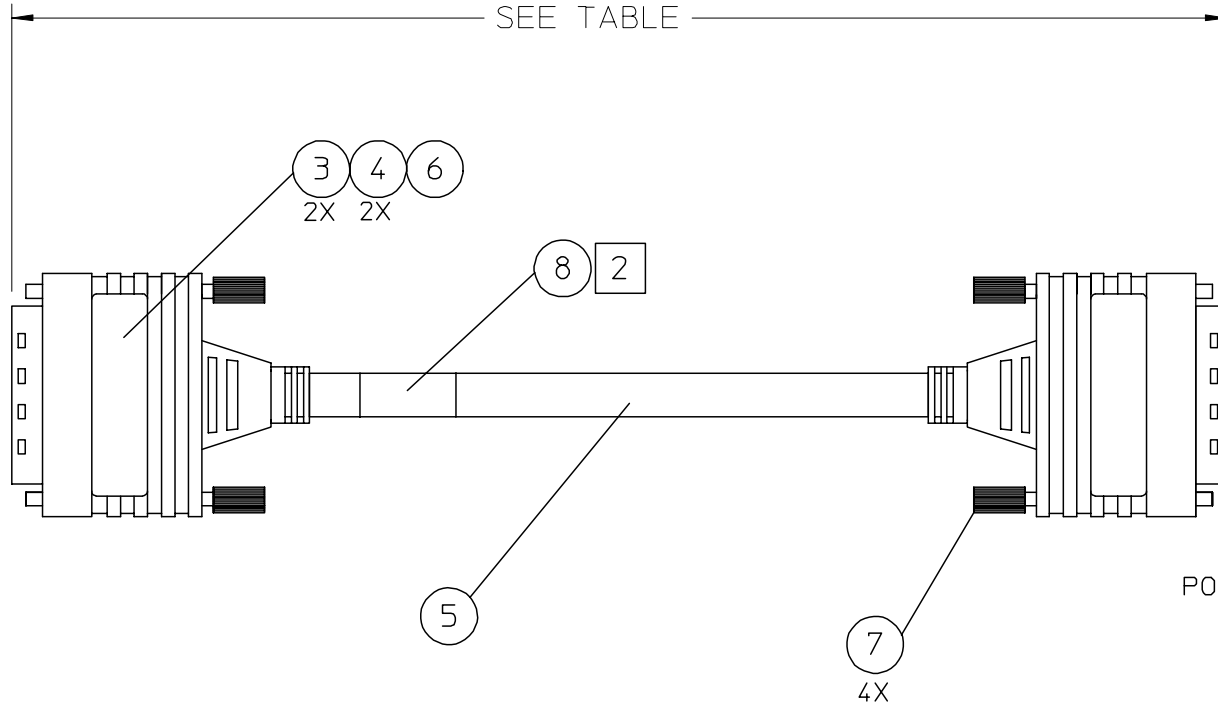
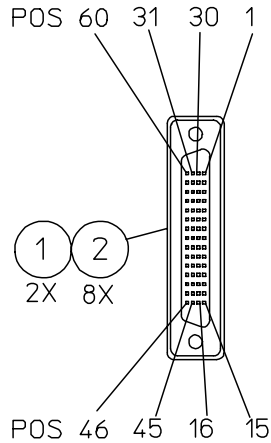
2

1

P/N	LENGTH
799801061	1000 +/-50MM
799801063	3000 +/-100MM
799801065	5000 +/-150MM

D

D



NOTES:

- PIN CONNECTION IS 1 TO 1.
- APPLY CABLE LABEL WITH FOLLOWING INFORMATION:
P/N (SEE TABLE)
REV. (SEE REV. TABLE)
M/D WW/YY
ASSEMBLED IN MEXICO

8	0799426019	PLASTIC LABEL EPC#R-TW10F	1 PC
7	0799407740	SCREW 4-40	4 PC
6	0899920428	APEX 77-W115B BLACK	A/R
5	0798231046	CABLE 30TWP, 28AWG, SHLD, JCKTD	A/R
4	0798012001	STRAIGHT FERRULE 0.437"	2 PC
3	0712452000	1.25mm LFH Mtx 50 Hdw Can Kit 60Ckt	2 PC
2	0051242022	1.27mm LFH Mtx 50 Plug Cbl Kit 15Ckt	8 PC
1	0709292000	1.27mm LFH Mtx 50 Plg Subassy 60Ckt	2 PC
ITEM	P/N	DESCRIPTION	QTY

B

B

A

A

EC NO: MEX2008-0006 DRWN: AOROZCO 2007/07/06 CHKD: ACUEVAS 2007/07/06 APPR: ACUEVAS 2007/07/06 [REDACTED]	QUALITY SYMBOLS	GENERAL TOLERANCES (UNLESS SPECIFIED)	DIMENSION STYLE MM ONLY		SCALE ---	DESIGN UNITS METRIC	THIRD ANGLE PROJECTION																									
	$\nabla=0$ $\nabla=0$	<table border="1"> <tr> <th></th> <th>mm</th> <th>INCH</th> </tr> <tr> <td>4 PLACES</td> <td>±---</td> <td>±---</td> </tr> <tr> <td>3 PLACES</td> <td>±---</td> <td>±---</td> </tr> <tr> <td>2 PLACES</td> <td>±---</td> <td>±---</td> </tr> <tr> <td>1 PLACE</td> <td>±---</td> <td>±---</td> </tr> </table>		mm	INCH	4 PLACES	±---	±---	3 PLACES	±---	±---	2 PLACES	±---	±---	1 PLACE	±---	±---	<table border="1"> <tr> <th>mm</th> <th>INCH</th> </tr> <tr> <td>±---</td> <td>±---</td> </tr> <tr> <td>±---</td> <td>±---</td> </tr> <tr> <td>±---</td> <td>±---</td> </tr> <tr> <td>±---</td> <td>±---</td> </tr> </table>	mm	INCH	±---	±---	±---	±---	±---	±---	±---	±---	DRAWN BY AOROZCO DATE 01/13/2004 CHECKED BY AOROZCO DATE 01/13/2004 APPROVED BY ACUEVAS DATE 01/13/2004	TITLE LFH 60 CKT TO LFH 60 CKT 1, 3 & 5 MTS. LENGHT MOLEX STANDARD		MOLEX INCORPORATED DOCUMENT NO. SD-79980-001 SHEET NO. 1 OF 01
		mm	INCH																													
	4 PLACES	±---	±---																													
3 PLACES	±---	±---																														
2 PLACES	±---	±---																														
1 PLACE	±---	±---																														
mm	INCH																															
±---	±---																															
±---	±---																															
±---	±---																															
±---	±---																															
DRAFT WHERE APPLICABLE MUST REMAIN WITHIN DIMENSIONS		MATERIAL NO. VARIOS		THIS DRAWING CONTAINS INFORMATION THAT IS PROPRIETARY TO MOLEX INCORPORATED AND SHOULD NOT BE USED WITHOUT WRITTEN PERMISSION																												
		SIZE A																														

5

4

3

2

1