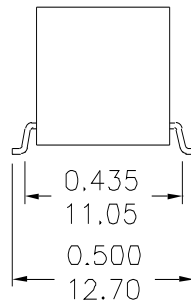
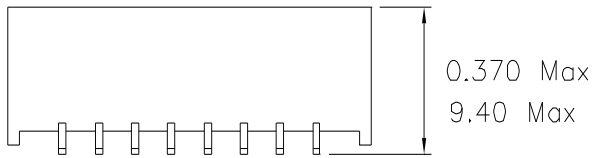
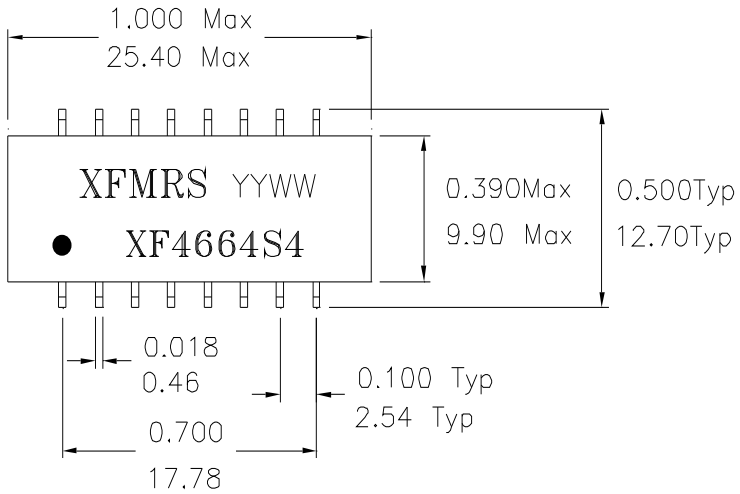
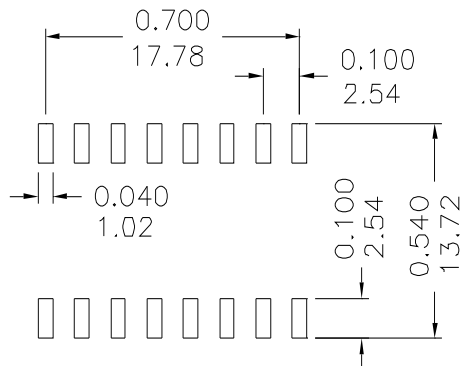


### 1. Dimensions:

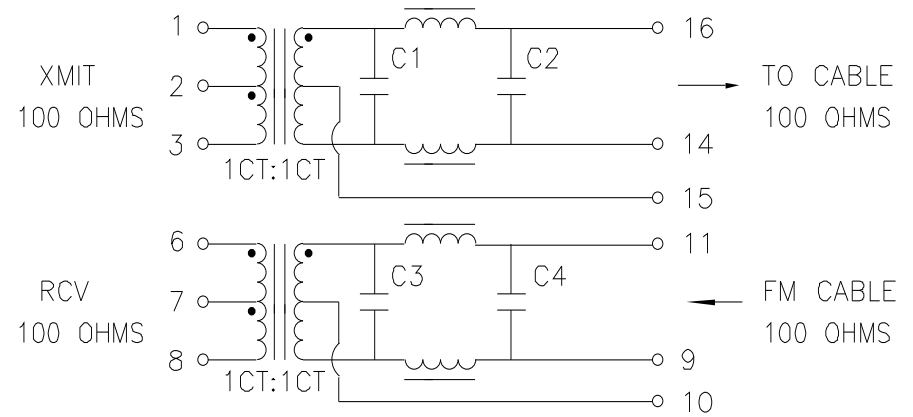


CO-PLANARITY ± 0.004 Max  
0.10 Max



SUGGESTED FOOTPRINT

### 2. Schematic:



### 3. Electrical Specifications: @25°C

CUT-OFF FREQ.: 17MHz ±1.5MHz

Insertion Loss (1-10MHz): 1.0dB Maximum

Return Loss (5-10MHz): 15dB Minimum

ATTENUATION:

@25MHz: 5dB Minimum

@30MHz: 10dB Minimum

@40MHz: 16dB Minimum

Common Mode Rejection: 30dB Minimum @1-100MHz

Cross Talk Attenuation: 30dB Minimum @1-10MHz

HYPOT: 1500 Vrms (Input to Output)

HYPOT: 500 Vrms (XMIT to RCV)

DOC. REV A/1

<b>XFMRS INC.</b>		Title: FIBER TO 10 BASE-T FILTER	
UNLESS OTHERWISE SPECIFIED		P/N: XF4664S4	REV. A
TOLERANCES:		DWN.	李清儿 Jun-09-99
.xxx ±0.010 Inch		CHK.	孙怡 Jun-09-99
Dimensions in Inch/mm		APP.	Joe Huff Jun-09-99
SCALE 2:1 SHT 1 OF 1			