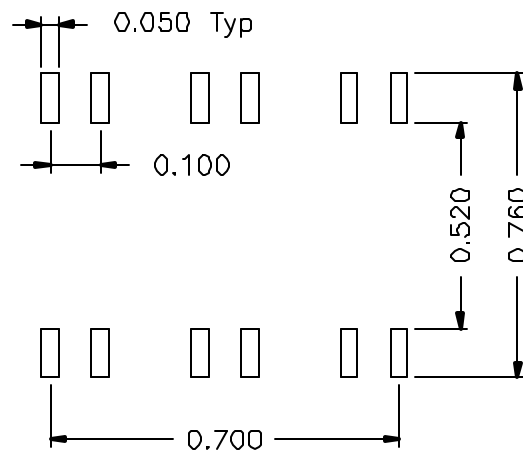
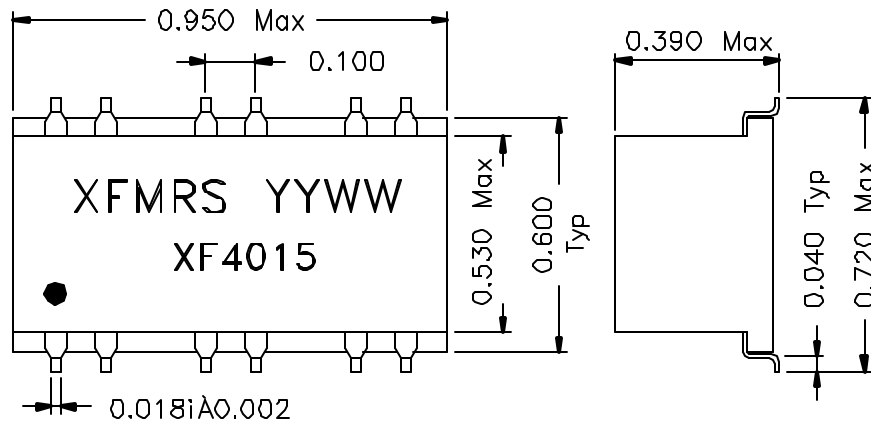
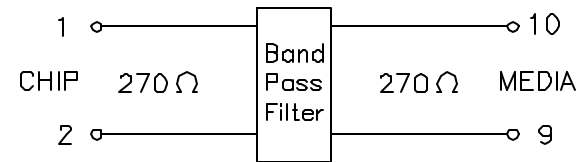


### 1. Dimensions:



SUGGESTED PCB LAYOUT

### 2. Schematic:



### 3. Electrical Specifications: @25°C

Passband: @4.5–7.9MHz  
 Insertion Loss: 0.8dB Max @4.5–7.9MHz  
 Return Loss: 12dB Min @4.5–7.9MHz  
 Stopband: 900KHz–3MHz  
 Attenuation @50dB Min

PRELIMINARY

DOC REV: A/1

XFMRS INC.	Title: ISDN/POTS SPLITTER		
	UNLESS OTHERWISE SPECIFIED TOLERANCES: .xxx ±0.010 Inch Dimensions in Inch/mm		P/N: XF4015 REV. A
DWN.	廖玉坤	Sep-27-00	
CHK.	李清儿	Sep-27-00	
APP.	Joe Huff	Sep-27-00	