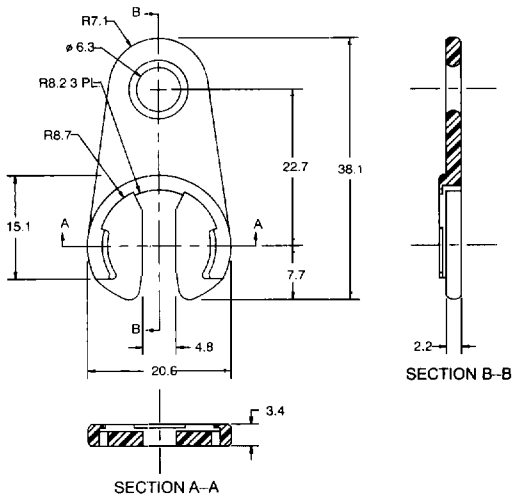


DALLAS SEMICONDUCTOR

DS9093x Touch Memory Mount Products

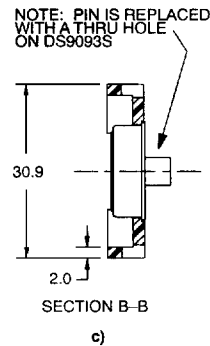
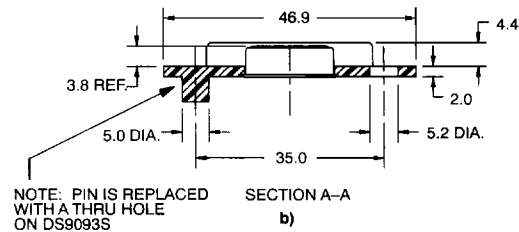
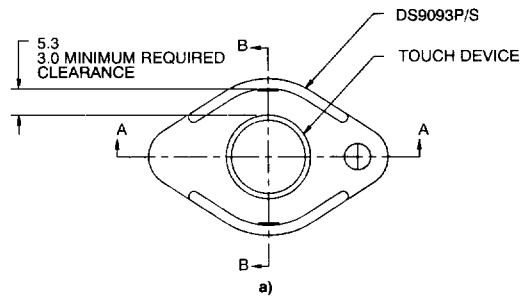
FEATURES

- Keyring mount version:
 - DS9093F snap-in fob for use with flanged MicroCan (F3/F5 package)
- Two permanent mount versions:
 - DS9093S allows a Touch Memory to be easily and permanently attached to an object using screws or rivets (F5 package)
 - DS9093P has a locating pin and a single mounting hole for permanent attachment (F5 package)
- Prepunched hole mount:
 - DS9093RA lock ring firmly fastens F5 package
 - DS9093RB flange enlargement provides additional flange surface area if needed



All dimensions are in millimeters.

THROUGH-MOUNT FOR CONTAINERS



DESCRIPTION

The DS9093 Touch Memory Mount Products offer the user low-cost fixtures that hold a Touch Memory for thumpad applications or permanent attachment to an object.

The DS9093F plastic snap-in fob offers the simplest way to mount a Touch Memory for applications that require only momentary contact. The fob can be attached to a keyring for carrying. Do not apply solvents or adhesives to this fob. This might affect the mechanical strength and reliability.

The DS9093S and DS9093P allows the user to permanently attach a Touch Memory to an object with one or two screws, rivets, etc. The plastic plate is designed with an inset that accommodates the flange of the F5 package and allows for flush mounting. A protective wall is provided along the sides of the plate to reduce incidental damage to the Touch Memory.

The DS9093RA Lock Ring is a stainless steel fastener which provides an inexpensive method for firmly attaching a Touch Memory to any item with a pre-punched hole. The Touch Memory is inserted through the hole and is restrained by the flange on the Touch Memory. The DS9093RA Lock Ring is crimped onto the portion of the Touch Memory which protrudes through the hole.

The optional DS9093RB Flange Enlargement is a thin stainless steel washer that provides additional surface area to improve retention of the Touch Memory in materials that are very thin or flexible. The DS9093RB is formed with a slight dome to improve the gripping force exerted onto the pre-punched material. The domed side of the washer should face the flange of the Touch Memory, the flat side should face the material.

