

Wireless Audio Link IC

BH1414K

The BH1414K is a FM stereo transmitter IC that uses a simple configuration. This IC consists of a stereo modulator for generating stereo composite signals and a FM transmitter for broadcasting a FM signal on the air. A high S/N ratio and good timbre transmitter circuit can be composed with a few components. It is available for many applications due to the varieties of setting such as transmission output by serial data input.

●Applications

CD changer, Car TV, Car navigation, Wireless speakers, Personal computer (sound board), Game machine

●Features

- 1) It is possible to improve the timbre because it has the pre-emphasis circuit, limiter circuit, and the 19kHz/38kHz low-pass trap filter circuit.
- 2) Built-in pilot-tone system FM stereo modulator circuit.
- 3) The transmission frequency is stable because it has a PLL system for the FM transmitter circuit.
- 4) PLL data input (CE, CK, DA) by serial input.
- 5) It is possible for input level setting, monaural operation and output ON/OFF control by serial input.
- 6) It is possible for the transmission output control.

●Absolute maximum ratings (Ta = 25°C)

Parameter	Symbol	Limits	Unit
Supply voltage	V _{CC1}	+9.0	V
	V _{CC2}	+10.0	
Power dissipation	P _d	500	mW
Storage temperature range	T _{stg}	-55~+125	°C

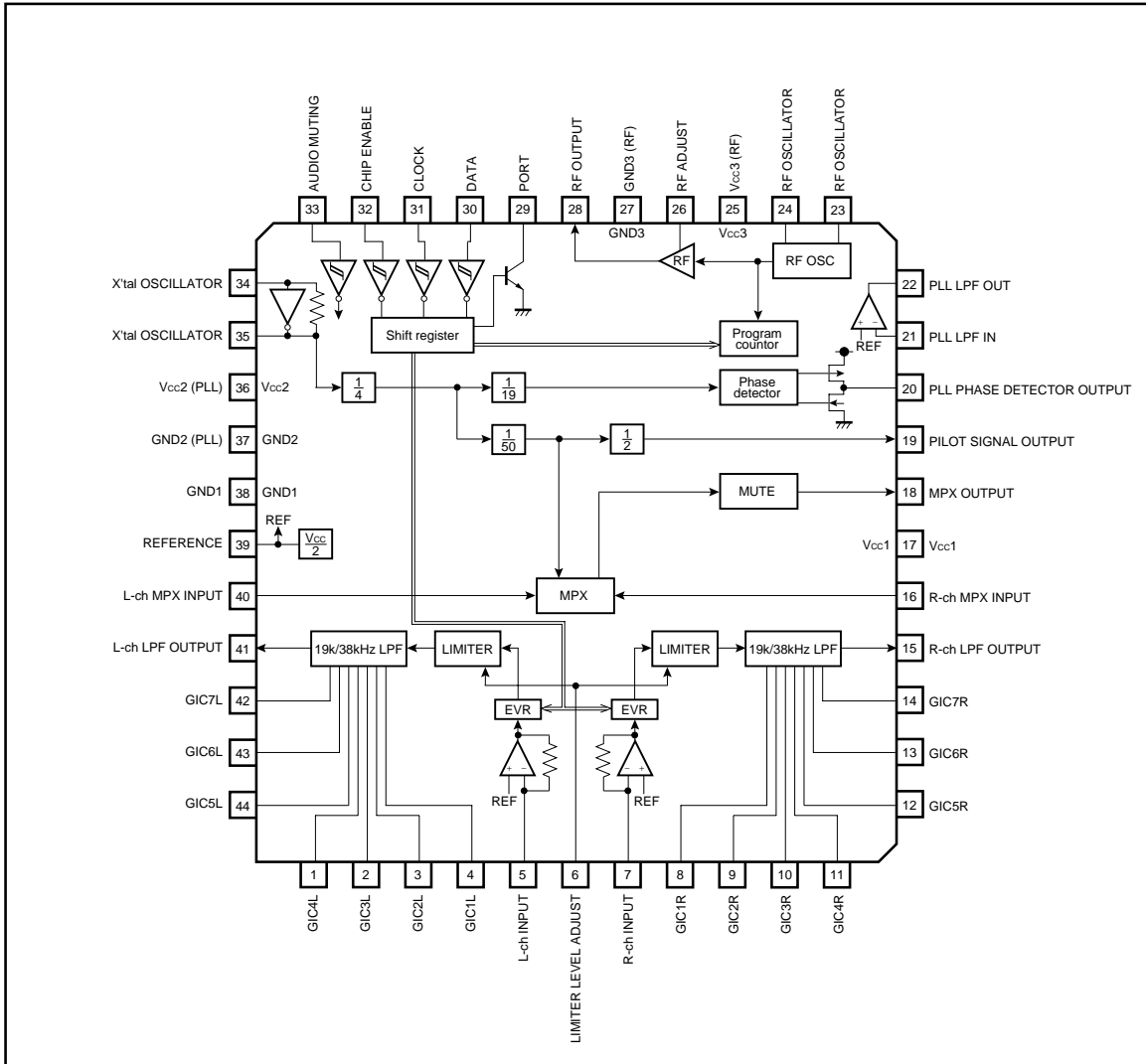
* Reduced by 5mW for each increase in Ta of 1°C over 25°C.

●Recommended operating conditions (Ta = 25°C)

Parameter	Symbol	Min.	Typ.	Max.	Unit
Operating supply voltage	V _{CC}	4.5	–	5.5	V
Operating temperature range	T _{opr}	-40	–	+85	°C
Audio input level	V _{IN-A}	–	–	500	mVrms
Audio input frequency	f _{IN-A}	20	–	15k	Hz
Transmission frequency	f _{TX}	75	–	110	MHz

Multimedia ICs

●Block diagram



Multimedia ICs

● Pin descriptions

Pin No.	Pin name	Equivalent circuit	Description	DC voltage (V)
1 2 3 4 42 43 44	L-ch LPF time constant terminal		It connects resistor and capacitor.	$\frac{1}{2} V_{cc}$
8 9 10 11 12 13 14	R-ch LPF time constant terminal		It connects resistor and capacitor.	
15	R-ch LPF output and LPF time constant terminal			
41	L-ch LPF output and LPF time constant terminal			
5	L-ch audio source input terminal		It cuts DC with the capacitor and it inputs L-ch audio signal.	$\frac{1}{2} V_{cc}$
7	R-ch audio source input terminal		It cuts DC with the capacitor and it inputs R-ch audio signal.	
6	Limiter level adjust terminal		It adjusts a limiter level by the resistance.	$\frac{1}{2} V_{cc}$

Multimedia ICs

Pin No.	Pin name	Equivalent circuit	Description	DC voltage (V)
16	R-ch MPX input terminal			$\frac{1}{2} V_{CC}$
40	L-ch MPX input terminal			
17	Power supply 1 terminal	—		V_{CC}
18	MPX signal output terminal		It connects to the FM modulator.	$\frac{1}{2} V_{CC} - 0.7$
19	Pilot signal output terminal		It connects to the FM modulator.	$\frac{1}{2} V_{CC} - 0.7$
20	PLL phase detector output terminal		It connects to the PLL LPF circuit.	—
21	PLL LPF input terminal			—
22	PLL LPF output terminal			

Multimedia ICs

Pin No.	Pin name	Equivalent circuit	Description	DC voltage (V)
23	RF oscillator terminal		<p>This is the colpitts oscillator. It connects time constant of the oscillation.</p>	$\frac{5}{9} V_{cc}$
24				$\frac{5}{9} V_{cc}$ -0.7
25	Power supply 3 terminal (RF)	—		V_{cc}
26	RF adjust terminal		It connects resistor and capacitor.	$\frac{3}{4} V_{cc}$ -0.9
28	RF transmission output terminal		It connects LC.	V_{cc}
27	GND3 (RF)	—		GND
29	Port output terminal			-
30	Data input terminal		The input terminal of the serial data which is forwarded from the controller.	-
31	Clock input terminal		The clock which takes data and synchronization in serial data input.	
32	Chip enable terminal		The terminal to make high level in serial data input.	
33	Audio mute terminal		$0.8V_{cc2} \leq \text{Pin33}$: Mute OFF $0.2V_{cc2} \geq \text{Pin33}$: Mute ON	

Multimedia ICs

Pin No.	Pin name	Equivalent circuit	Description	DC voltage (V)
34 35	X'tal oscillator terminal		It connects a 7.6MHz crystal oscillator.	-
36	Power supply 2 terminal (PLL)	—		V _{cc}
37	GND2 (PLL)	—		GND
38	GND1	—		GND
39	Reference voltage terminal		It is a ripple filter for the reference voltage.	$\frac{1}{2} V_{cc}$

Multimedia ICs

●Electrical characteristics (Unless otherwise noted, Ta = 25°C, Vcc=5.0V, Signal source : fin=400Hz)

Parameter	Symbol	Min.	Typ.	Max.	Unit	Conditions	Measurement circuit
Quiescent current	I _Q	15	21	29	mA		Fig.1
Channel separation	Sep	30	45	–	dB	V _{IN} =125mVrms, L→R, R→L	Fig.2
Total harmonic distortion	THD	–	0.1	0.3	%	V _{IN} =125mVrms, L+R	Fig.3
Channel balance	C.B	–1.5	0	+1.5	dB	V _{IN} =125mVrms, L+R	Fig.2
Input output gain 1	G _{V1}	–4	–2	0	dB	V _{IN} =125mVrms, EVR=0dB, L+R	Fig.3
Input output gain 2	G _{V2}	+2	+4	+6	dB	V _{IN} =125mVrms, EVR=+6dB, L+R	Fig.3
Input output gain 3	G _{V3}	–10	–8	–6	dB	V _{IN} =125mVrms, EVR=–6dB, L+R	Fig.3
Limiter input level	V _{IN(LIM)}	205	260	325	mVrms	Output distortion at 3% for input level	Fig.4
LPF attenuation volume 1	V _{O(LPF)1}	–2	0.5	+1.5	dB	V _{IN} =125mVrms, f=10kHz	Fig.5
LPF attenuation volume 2	V _{O(LPF)2}	–	–37	–30	dB	V _{IN} =125mVrms, f=19kHz	Fig.5
LPF attenuation volume 3	V _{O(LPF)3}	–	–49	–35	dB	V _{IN} =125mVrms, f=38kHz	Fig.5
Signal to noise ratio	S/N	55	68	–	dB	V _{IN} =125mVrms, L+R	Fig.3
Sub carrier rejection ratio	SCR	–	–30	–20	dB	V _{IN} =125mVrms, L+R	Fig.3
Pilot output level	V _{OP}	180	200	220	mV _{P-P}	Pin19	Fig.3
Mute attenuation volume	V _{O(MUTE)}	–	–68	–60	dB	V _{IN} =125mVrms, L+R	Fig.6
Transmission output level	V _{TX}	84	87	90	dB _{μV}	f _{TX} =100MHz	Fig.7
Transmission frequency precision	Δf _{TX}	–3	0	+3	kHz	f _{TX} =100MHz	Fig.7
"H" level input current	I _{IH}	–	–	1.0	μA	Pin30, 31, 32, 33 V _{IN} =5V	Fig.8
"L" level input current	I _{IL}	–1.0	–	–	μA	Pin30, 31, 32, 33 V _{IN} =0V	Fig.8
"H" level output voltage	V _{OH}	V _{CC} –1.0	V _{CC} –0.3	–	V	Pin20 I _{OUT} =–1.0mA	Fig.8
"L" level output voltage	V _{OL}	–	0.3	1.0	V	Pin20 I _{OUT} =1.0mA	Fig.8
"OFF" level leak current 1	I _{OFF1}	–	–	100	nA	Pin20 V _{OUT} =5V	Fig.9
"OFF" level leak current 2	I _{OFF2}	–100	–	–	nA	Pin20 V _{OUT} =GND	Fig.9
"L" level output voltage	V _{OL}	–	0.2	1.0	V	Pin29 I _{OUT} =3.0mA	Fig.8
"OFF" level leak current	I _{OFF}	–	–	1.0	μA	Pin29 V _{OUT} =5V	Fig.9

© This product is not designed for protection against radioactive rays.

© The specification of transmission output level be based on the Radio Law in every country and the area.

Multimedia ICs

● Measuring circuits
Quiescent current

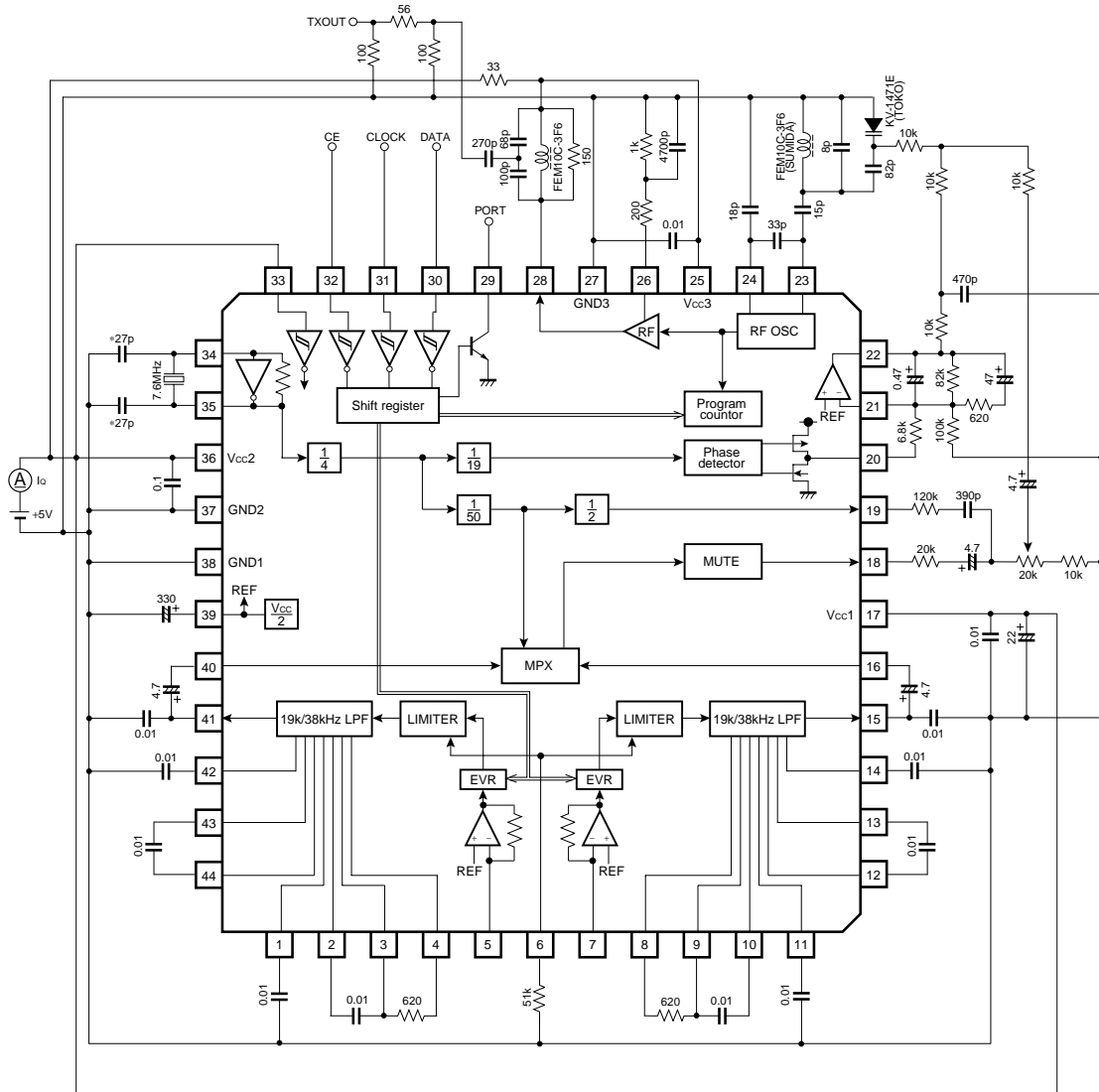


Fig.1

*The constant of the capacitor must be determined by the agreement with a crystal maker.

Multimedia ICs

Channel separation
Channel balance

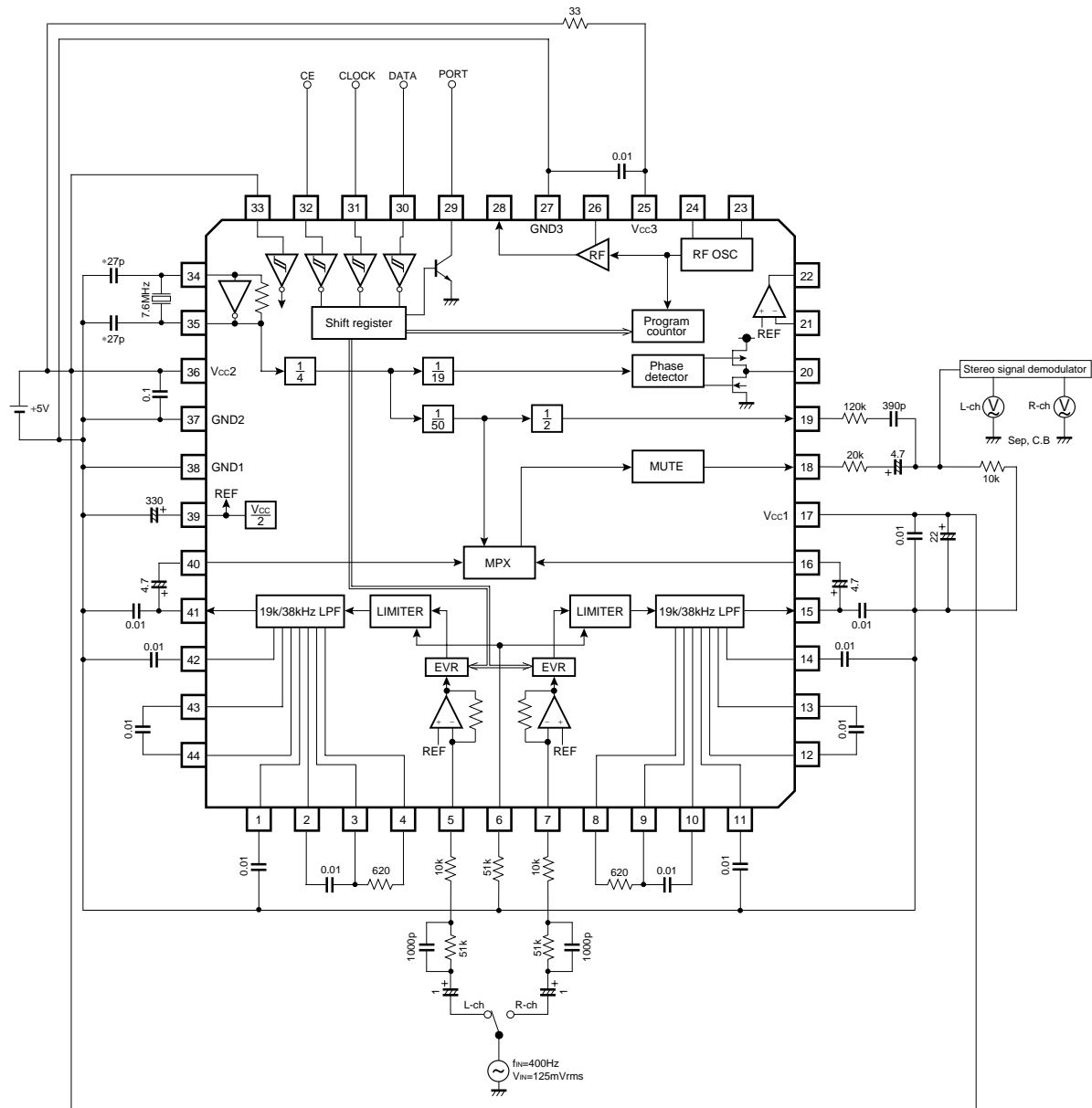


Fig.2

*The constant of the capacitor must be determined by the agreement with a crystal maker.

Multimedia ICs

- Total harmonic distortion
- Input output gain
- Signal to noise ratio
- Sub carrier rejection ratio
- Pilot output level

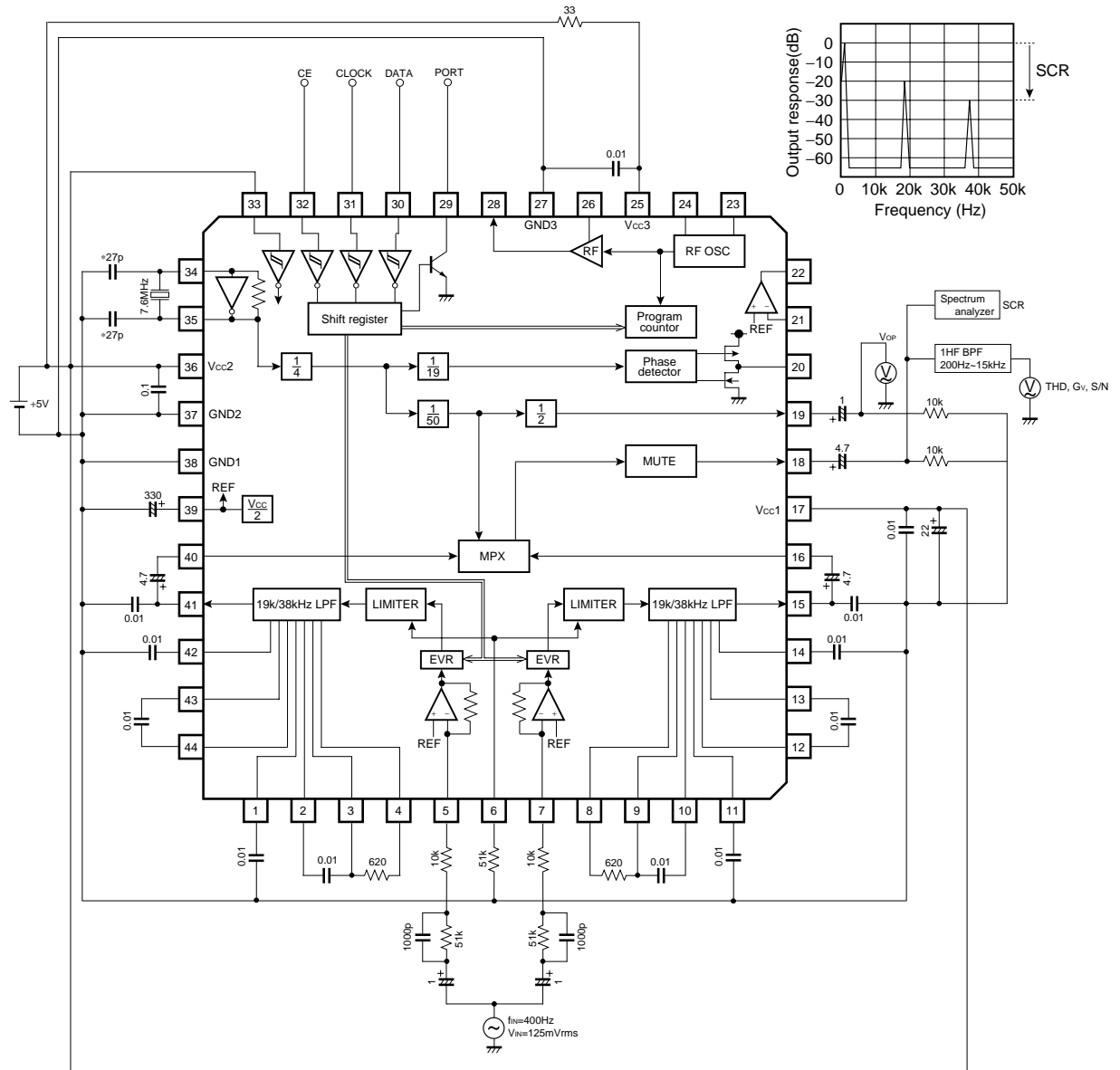


Fig.3

*The constant of the capacitor must be determined by the agreement with a crystal maker.

Multimedia ICs

Limiter input level

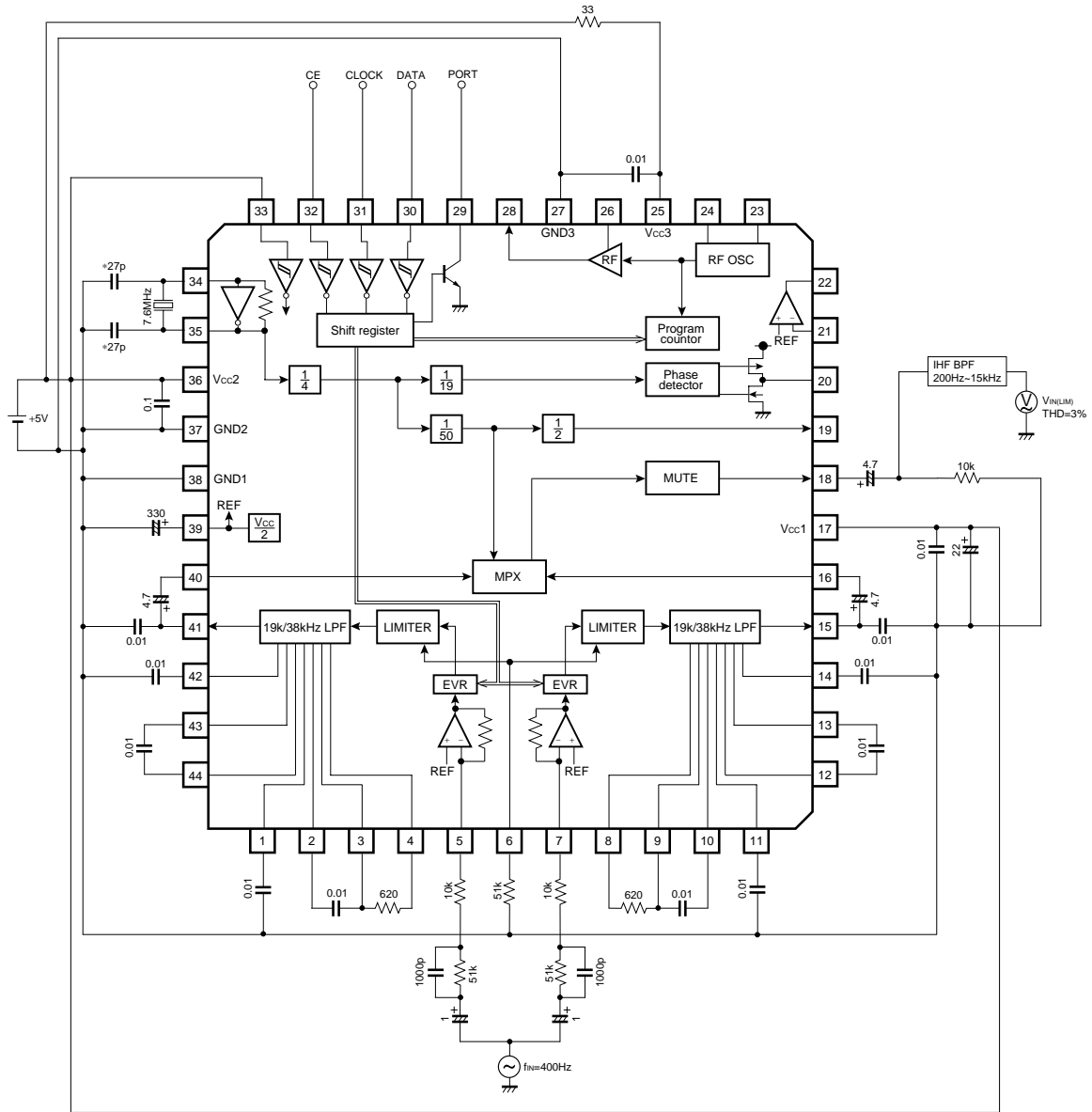


Fig.4

*The constant of the capacitor must be determined by the agreement with a crystal maker.

Multimedia ICs

LPF attenuation volume

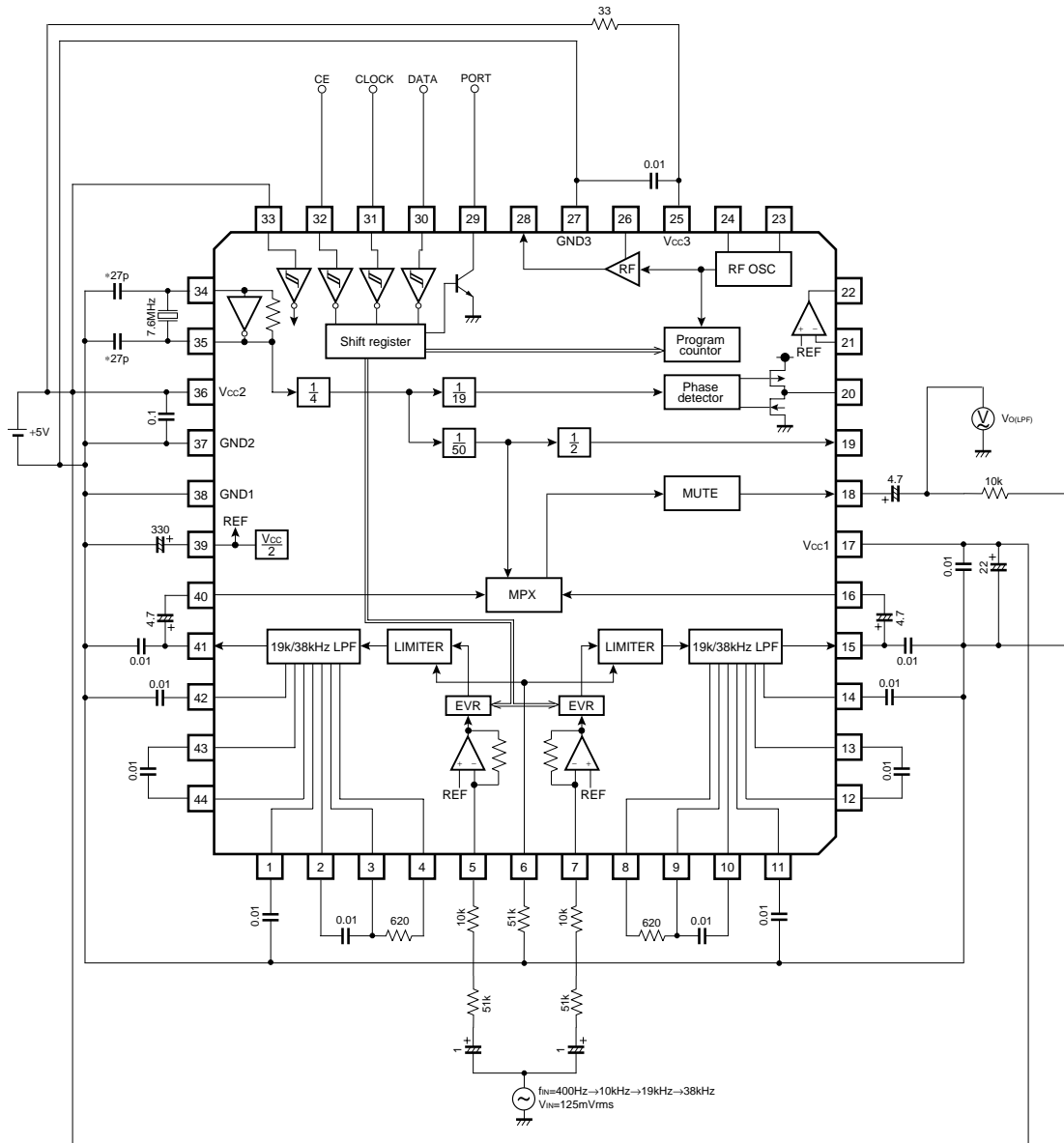


Fig.5

*The constant of the capacitor must be determined by the agreement with a crystal maker.

Multimedia ICs

Mute attenuation volume

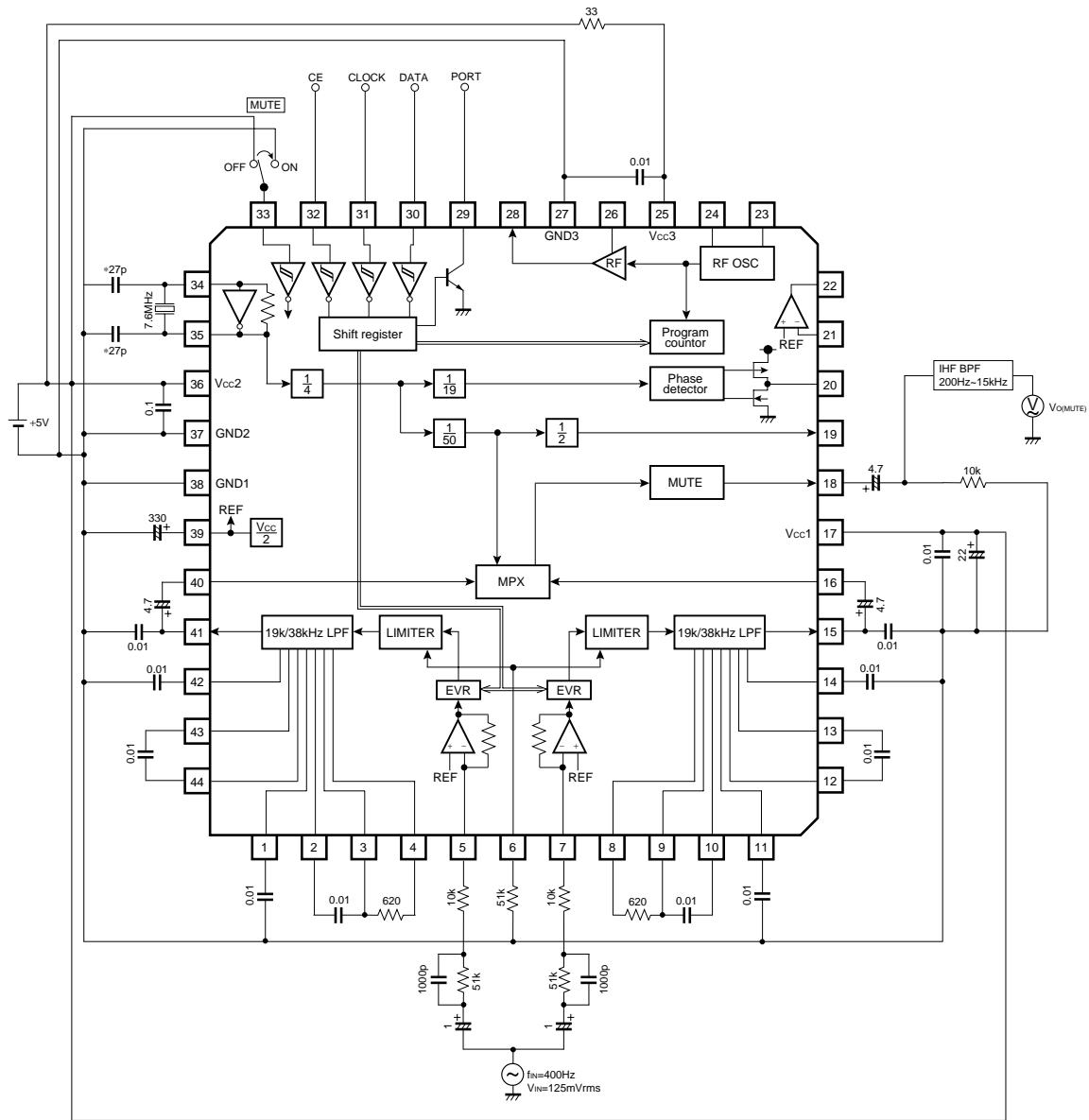


Fig.6

*The constant of the capacitor must be determined by the agreement with a crystal maker.

Multimedia ICs

- “H” level input current
- “L” level input current
- “H” level output voltage
- “L” level output voltage

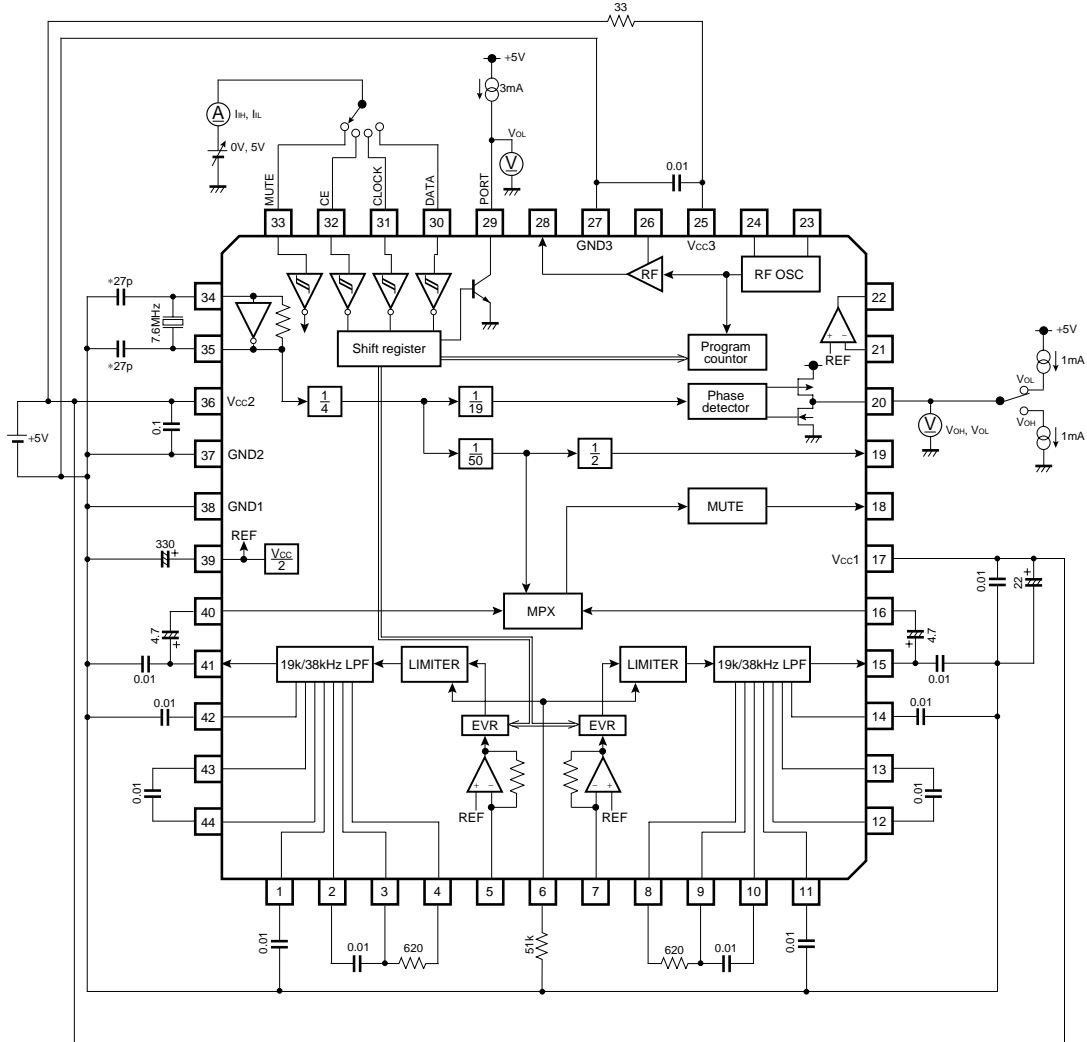


Fig.8

*The constant of the capacitor must be determined by the agreement with a crystal maker.

“OFF” level leak current

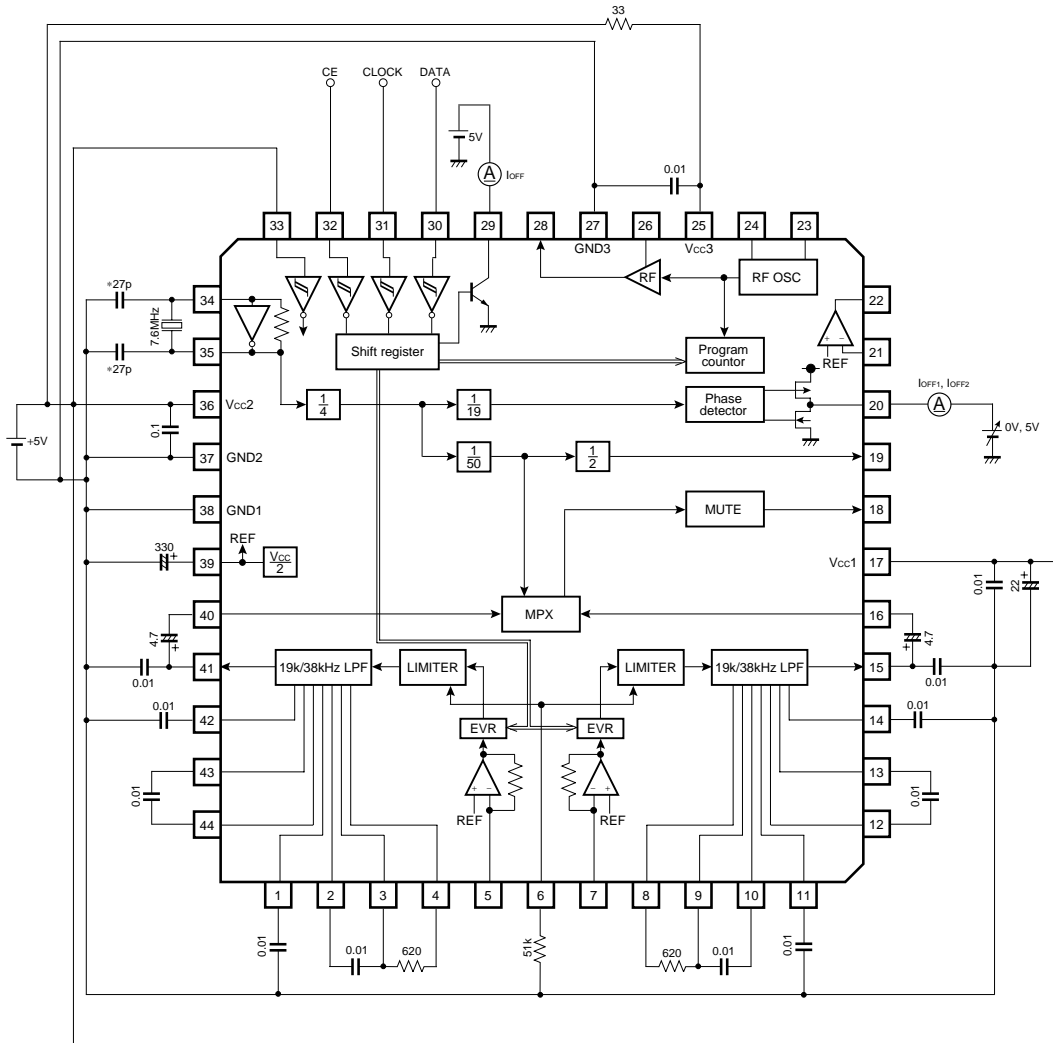


Fig.9

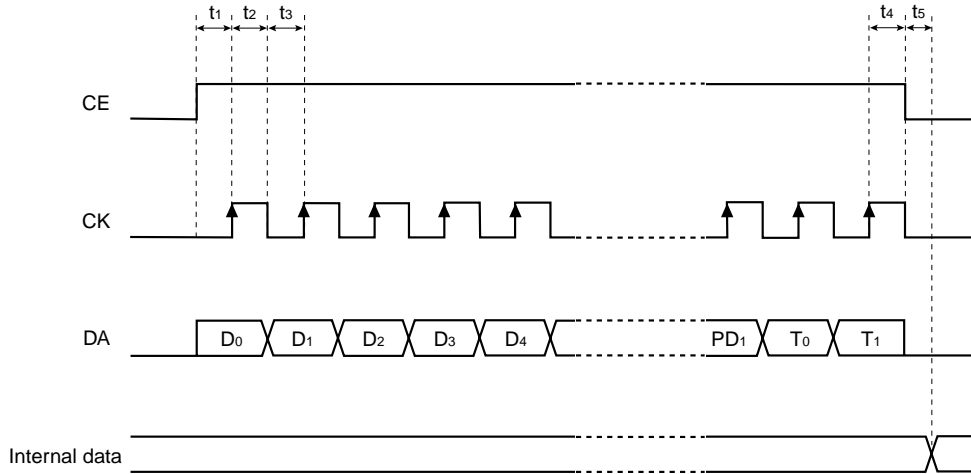
*The constant of the capacitor must be determined by the agreement with a crystal maker.

Multimedia ICs

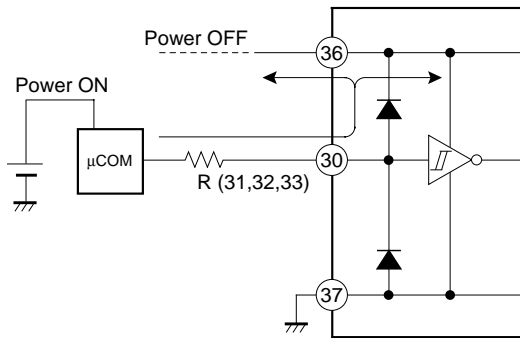
●Circuit operations

(1) Input of the serial data

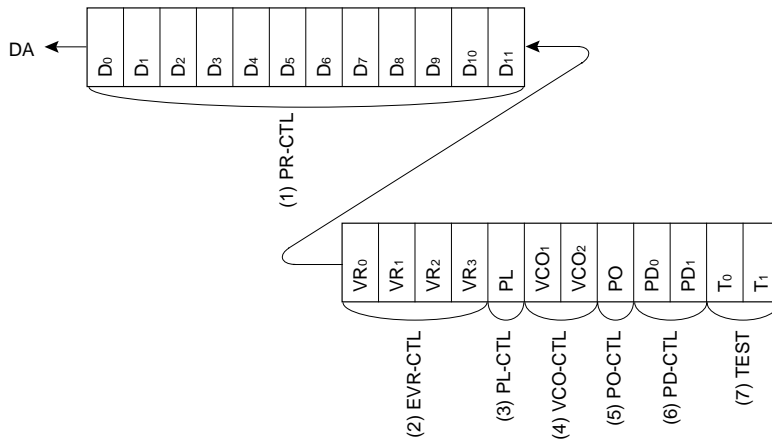
$t_1, t_2, t_3, t_4 \geq 1.5\mu\text{sec}$
 $t_5 < 1.5\mu\text{sec}$ (X'tal : 7.6MHz)



When the serial data input terminal (Pin 30, Pin 31, Pin 32) and the mute control terminal (Pin 33) connect with the $\mu\text{-com}$, in off the power of BH1414K and on the power of $\mu\text{-com}$, because the current flows backward from the $\mu\text{-com}$ to BH1414K, insert limitation resistance between the serial data input terminal and the data output terminal of $\mu\text{-com}$. But, when the data output by $\mu\text{-com}$ doesn't always maintain at the "H" voltage, that matter may be left out of consideration.



(2) Composition of the serial data



Multimedia ICs

(3) Explanation of the serial data

No.	Control unit	Contents																																																																																					
(1)	PROGRAM COUNTER D ₀ ~D ₁₁	<ul style="list-style-type: none"> It is the data which sets the program counter number of the dividing. This data can set a transmission frequency. It is a binary value. It sets D₁₁ With MSB and it sets D₀ with LSB. <p>Example In case of 99.7MHz oscillation 99.7MHz÷100kHz(fref)=997→3E5(HEX)</p> <table style="margin-left: auto; margin-right: auto;"> <tr> <td colspan="4" style="text-align: center;">5</td> <td colspan="4" style="text-align: center;">E</td> <td colspan="3" style="text-align: center;">3</td> </tr> <tr> <td style="border: 1px solid black;">1</td><td style="border: 1px solid black;">0</td><td style="border: 1px solid black;">1</td><td style="border: 1px solid black;">0</td> <td style="border: 1px solid black;">0</td><td style="border: 1px solid black;">1</td><td style="border: 1px solid black;">1</td><td style="border: 1px solid black;">1</td> <td style="border: 1px solid black;">1</td><td style="border: 1px solid black;">1</td><td style="border: 1px solid black;">0</td><td style="border: 1px solid black;">0</td> </tr> <tr> <td style="border: 1px solid black;">\bar{D}_{11}</td><td style="border: 1px solid black;">\bar{D}_{10}</td><td style="border: 1px solid black;">\bar{D}_9</td><td style="border: 1px solid black;">\bar{D}_8</td> <td style="border: 1px solid black;">\bar{D}_7</td><td style="border: 1px solid black;">\bar{D}_6</td><td style="border: 1px solid black;">\bar{D}_5</td><td style="border: 1px solid black;">\bar{D}_4</td> <td style="border: 1px solid black;">\bar{D}_3</td><td style="border: 1px solid black;">\bar{D}_2</td><td style="border: 1px solid black;">\bar{D}_1</td><td style="border: 1px solid black;">\bar{D}_0</td> </tr> <tr> <td colspan="8" style="text-align: center;">LSB</td> <td colspan="4" style="text-align: center;">MSB</td> </tr> </table>	5				E				3			1	0	1	0	0	1	1	1	1	1	0	0	\bar{D}_{11}	\bar{D}_{10}	\bar{D}_9	\bar{D}_8	\bar{D}_7	\bar{D}_6	\bar{D}_5	\bar{D}_4	\bar{D}_3	\bar{D}_2	\bar{D}_1	\bar{D}_0	LSB								MSB																																									
5				E				3																																																																															
1	0	1	0	0	1	1	1	1	1	0	0																																																																												
\bar{D}_{11}	\bar{D}_{10}	\bar{D}_9	\bar{D}_8	\bar{D}_7	\bar{D}_6	\bar{D}_5	\bar{D}_4	\bar{D}_3	\bar{D}_2	\bar{D}_1	\bar{D}_0																																																																												
LSB								MSB																																																																															
(2)	EVR VR ₀ ~VR ₃	<ul style="list-style-type: none"> It controls EVR. L-ch and R-ch are set at the same time. <table border="1" style="margin-left: auto; margin-right: auto;"> <thead> <tr> <th>VR₀</th> <th>VR₁</th> <th>VR₂</th> <th>VR₃</th> <th>EVR GAIN</th> </tr> </thead> <tbody> <tr><td>0</td><td>1</td><td>1</td><td>1</td><td>-6</td></tr> <tr><td>0</td><td>1</td><td>1</td><td>0</td><td>-6</td></tr> <tr><td>0</td><td>1</td><td>0</td><td>1</td><td>-5</td></tr> <tr><td>0</td><td>1</td><td>0</td><td>0</td><td>-4</td></tr> <tr><td>0</td><td>0</td><td>1</td><td>1</td><td>-3</td></tr> <tr><td>0</td><td>0</td><td>1</td><td>0</td><td>-2</td></tr> <tr><td>0</td><td>0</td><td>0</td><td>1</td><td>-1</td></tr> <tr><td>0</td><td>0</td><td>0</td><td>0</td><td>0</td></tr> <tr><td>1</td><td>0</td><td>0</td><td>0</td><td>0</td></tr> <tr><td>1</td><td>0</td><td>0</td><td>1</td><td>+1</td></tr> <tr><td>1</td><td>0</td><td>1</td><td>0</td><td>+2</td></tr> <tr><td>1</td><td>0</td><td>1</td><td>1</td><td>+3</td></tr> <tr><td>1</td><td>1</td><td>0</td><td>0</td><td>+4</td></tr> <tr><td>1</td><td>1</td><td>0</td><td>1</td><td>+5</td></tr> <tr><td>1</td><td>1</td><td>1</td><td>0</td><td>+6</td></tr> <tr><td>1</td><td>1</td><td>1</td><td>1</td><td>+6</td></tr> </tbody> </table>	VR ₀	VR ₁	VR ₂	VR ₃	EVR GAIN	0	1	1	1	-6	0	1	1	0	-6	0	1	0	1	-5	0	1	0	0	-4	0	0	1	1	-3	0	0	1	0	-2	0	0	0	1	-1	0	0	0	0	0	1	0	0	0	0	1	0	0	1	+1	1	0	1	0	+2	1	0	1	1	+3	1	1	0	0	+4	1	1	0	1	+5	1	1	1	0	+6	1	1	1	1	+6
VR ₀	VR ₁	VR ₂	VR ₃	EVR GAIN																																																																																			
0	1	1	1	-6																																																																																			
0	1	1	0	-6																																																																																			
0	1	0	1	-5																																																																																			
0	1	0	0	-4																																																																																			
0	0	1	1	-3																																																																																			
0	0	1	0	-2																																																																																			
0	0	0	1	-1																																																																																			
0	0	0	0	0																																																																																			
1	0	0	0	0																																																																																			
1	0	0	1	+1																																																																																			
1	0	1	0	+2																																																																																			
1	0	1	1	+3																																																																																			
1	1	0	0	+4																																																																																			
1	1	0	1	+5																																																																																			
1	1	1	0	+6																																																																																			
1	1	1	1	+6																																																																																			
(3)	MULTIPLEXER PL	<ul style="list-style-type: none"> It changes a stereo and monaural operation. <table border="1" style="margin-left: auto; margin-right: auto;"> <thead> <tr> <th>PL</th> <th colspan="2">Condition of the composite signal</th> </tr> </thead> <tbody> <tr> <td>0</td> <td>Stereo operation</td> <td>$L+R+(L-R) \sin \omega_{st} + P \sin \frac{\omega_{st}}{2} t$</td> </tr> <tr> <td>1</td> <td>Monaural operation</td> <td>L+R, Pilot OFF</td> </tr> </tbody> </table>	PL	Condition of the composite signal		0	Stereo operation	$L+R+(L-R) \sin \omega_{st} + P \sin \frac{\omega_{st}}{2} t$	1	Monaural operation	L+R, Pilot OFF																																																																												
PL	Condition of the composite signal																																																																																						
0	Stereo operation	$L+R+(L-R) \sin \omega_{st} + P \sin \frac{\omega_{st}}{2} t$																																																																																					
1	Monaural operation	L+R, Pilot OFF																																																																																					
(4)	VCO VCO ₁ , VCO ₂	<ul style="list-style-type: none"> It controls the VCO operation. <table border="1" style="margin-left: auto; margin-right: auto;"> <thead> <tr> <th>VCO₁</th> <th>VCO₂</th> <th>VCO</th> </tr> </thead> <tbody> <tr> <td>0</td> <td>0 or 1</td> <td>Enable</td> </tr> <tr> <td>1</td> <td>0 or 1</td> <td>Disable</td> </tr> </tbody> </table>	VCO ₁	VCO ₂	VCO	0	0 or 1	Enable	1	0 or 1	Disable																																																																												
VCO ₁	VCO ₂	VCO																																																																																					
0	0 or 1	Enable																																																																																					
1	0 or 1	Disable																																																																																					
(5)	PORT(Pin29) PO	<ul style="list-style-type: none"> It controls open collector output. <table border="1" style="margin-left: auto; margin-right: auto;"> <thead> <tr> <th>PO</th> <th>Open collector output</th> </tr> </thead> <tbody> <tr> <td>0</td> <td>High impedance</td> </tr> <tr> <td>1</td> <td>Low (ON)</td> </tr> </tbody> </table>	PO	Open collector output	0	High impedance	1	Low (ON)																																																																															
PO	Open collector output																																																																																						
0	High impedance																																																																																						
1	Low (ON)																																																																																						
(6)	PHASE DETECTOR PD ₀ , PD ₁	<ul style="list-style-type: none"> It controls change pump output by the phase comparator compulsorily. <table border="1" style="margin-left: auto; margin-right: auto;"> <thead> <tr> <th>PD₀</th> <th>PD₁</th> <th>Charge pump output</th> </tr> </thead> <tbody> <tr> <td>0</td> <td>0</td> <td>Usual operation</td> </tr> <tr> <td>0</td> <td>1</td> <td>Compulsion by Low</td> </tr> <tr> <td>1</td> <td>0</td> <td>Compulsion by High</td> </tr> <tr> <td>1</td> <td>1</td> <td>High impedance</td> </tr> </tbody> </table>	PD ₀	PD ₁	Charge pump output	0	0	Usual operation	0	1	Compulsion by Low	1	0	Compulsion by High	1	1	High impedance																																																																						
PD ₀	PD ₁	Charge pump output																																																																																					
0	0	Usual operation																																																																																					
0	1	Compulsion by Low																																																																																					
1	0	Compulsion by High																																																																																					
1	1	High impedance																																																																																					
(7)	TEST MODE T ₀ , T ₁	<ul style="list-style-type: none"> It is data for the LSI test. Always Input "00". 																																																																																					

Multimedia ICs

●External dimensions (Units : mm)

