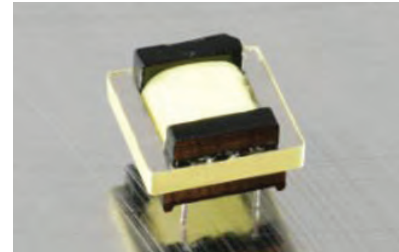




MODEM ISOLATION TRANSFORMER

AEE-207DI

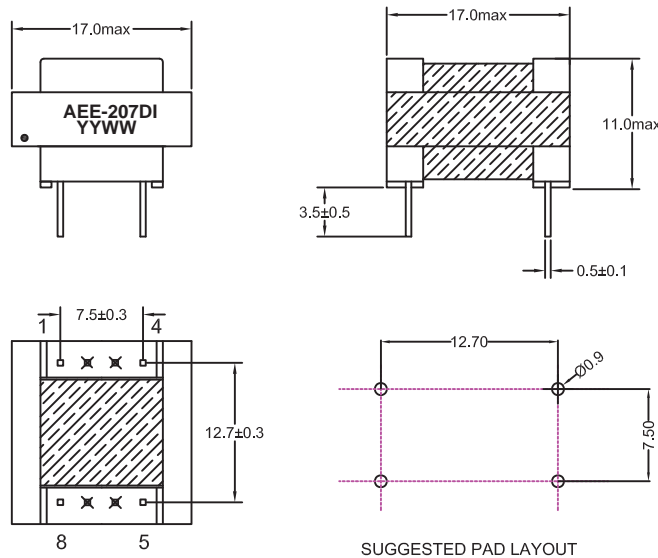
- IEC60950 Comptable
- High insulation type High efficiency
- Operating temp: 0°C to 70°C
- Storage temperature range: -25°C to +125°C
- Teridian 73M1903 & 73M2901 (V.22bis Single Chip Modem)



Electrical Specifications @25°C										
Part Number	Turns Ratio @1KHz,1V	OCL @1KHz,1V(LP)	LK @1KHz,1V	DCR @25°C		Impedance @1KHz,1V	THD @600Hz,-10dBm	IL @1000Hz,	RL @200Hz,-10dBm	HI-POT (Vac/1mA/2S) Pri to Sec
	(1-4):(5-8)	1-4&5-8	1-4(short 5-8)	1-4	5-8					
AEE-207DI	1:1±2%	4.6H min	3.7mH max	82Ω ± 15%	106Ω ± 15%	600Ω±10%	-78dB max	1.9dB max	20dB min	2000

All specifications subject to change without notice.

MECHANICAL



NOTE: THE PIN2,3,6,7 MUST BE REMOVED.

Units:mm

SCHEMATICS

