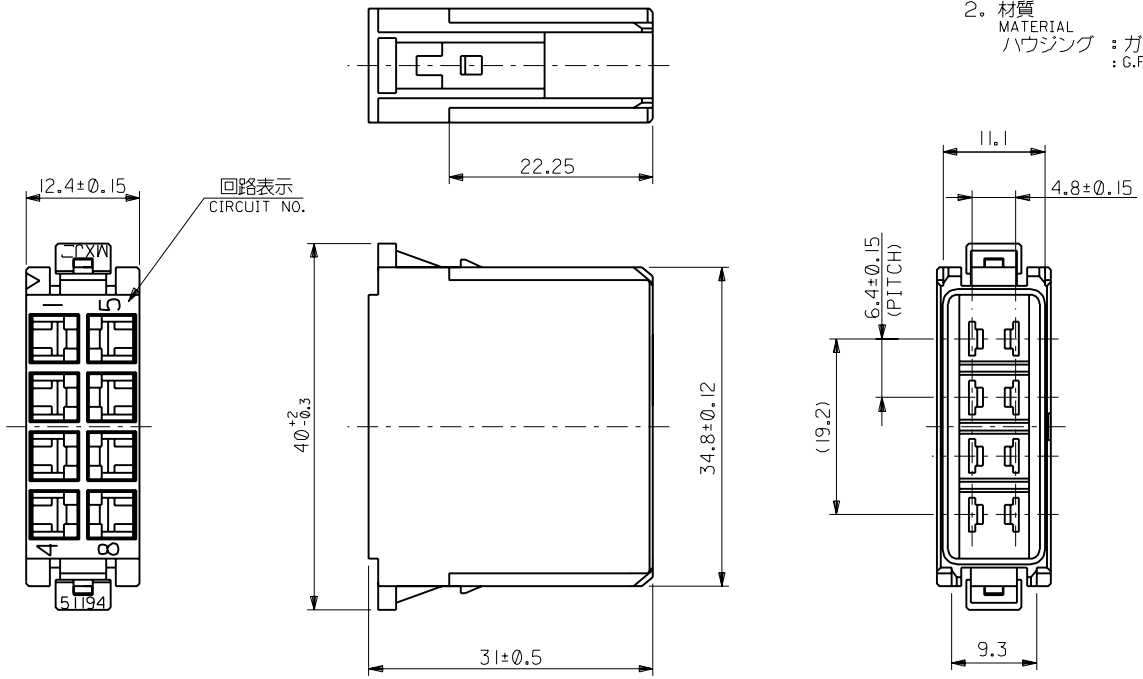


注記  
NOTES.

- 適合ターミナル : 50638-9\*49 (被覆外径  $\phi 2.8 \sim \phi 3.8$ )  
 : 59320-9\*90 (被覆外径  $\phi 2.2 \sim \phi 2.7$ )  
 APPLICABLE TERMINAL : 50638-9\*49 (INSULATION DIAMETER  $\phi 2.8 \sim \phi 3.8$ )  
 : 59320-9\*90 (INSULATION DIAMETER  $\phi 2.2 \sim \phi 2.7$ )
- 材質  
 MATERIAL  
 ハウジング : ガラス入りナイロン66 UL94V-0 色 : 自然色  
 : G.F. NYLON UL94V-0 COLOR : NATURAL



51194-0800	51194-0800
------------	------------

MATERIAL NO	MODEL NO
-------------	----------

DIMENSIONS:		SHT	REV
<input type="checkbox"/> mm	<input type="checkbox"/> INCH	<input checked="" type="checkbox"/> mm	<input type="checkbox"/> ONLY
		REVISE ON CAD ONLY	

EC NO. DRWN: CHK: APPR:	REVISED '99/07/28 EC NO. JD00118 DRWN: S.AKIYAMA CHK: YO.ITO APPR: H.IKESUGI	REVISED '99/03/25 EC NO. JD91284 DRWN: S.AKIYAMA CHK: YO.ITO APPR: H.IKESUGI	REVISED '98/12/23 EC NO. JD90894 DRWN: Y.TETSUKA CHK: S.AKIYAMA/YO.ITO APPR: H.IKESUGI	RELEASED '98/9/9 EC NO. JD90376 DRWN: J.MIYAZAWA CHK: YO.ITO APPR: H.IKESUGI
C	B	A	0	

MATERIAL 材料	注記参照 SEE NOTES.
FINISH 仕上げ	—
WIRE RANGE 適用線径範囲	—
INS. RANGE 被覆外径	—

GENERAL TOLERANCES: (UNLESS SPECIFIED) 一般公差	SCALE 2-1	DESIGN UNITS <input checked="" type="checkbox"/> mm <input type="checkbox"/> INCH	THIRD ANGLE PROJECTION
10 UNDER 未満	+0.2	DRAWN BY & DATE <i>S. Akizawa</i> '98/9/9	TITLE: POWER CONN. 8P PIN HOUSING
10 OVER 以上	30 UNDER 未満	+0.25	CHECKED BY & DATE <i>S. Akizawa</i>
30 OVER 以上	+0.3	APPROVED BY & DATE <i>S. Akizawa</i>	MATERIAL NO. SEE CHART
ANGLE 角度	+3°	CAD FILE NAME 51194002.S01	DRAWING NO. SD-51194-002

MATERIAL NO. SEE CHART		DRAWING NO. SD-51194-002	SHEET NO. 1 OF 1
THIS DRAWING CONTAINS INFORMATION THAT IS PROPRIETARY TO MOLEX INCORPORATED AND SHOULD NOT BE USED WITHOUT WRITTEN PERMISSION.			SIZE B

DO NOT SCALE DRAWING