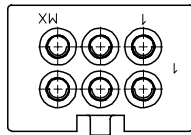
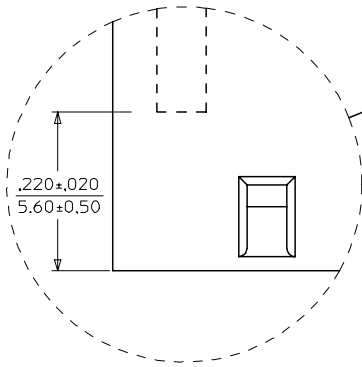
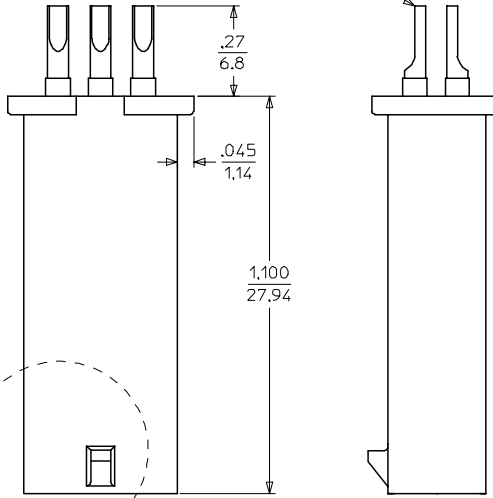


| MATERIAL NUMBER | NUMBER OF CIR | DIM. "A"      | DIM. "B"      |
|-----------------|---------------|---------------|---------------|
| 44242-0001      | 4             | .118/(3.00)   | .308/(7.82)   |
| 44242-0002      | 6             | .236/(6.00)   | .426/(10.82)  |
| 44242-0003      | 8             | .354/(9.00)   | .544/(13.82)  |
| 44242-0004      | 10            | .472/(12.00)  | .662/(16.82)  |
| 44242-0005      | 12            | .591/(15.00)  | .780/(19.82)  |
| 44242-0006      | 14            | .709/(18.00)  | .898/(22.82)  |
| 44242-0007      | 16            | .827/(21.00)  | 1.017/(25.82) |
| 44242-0008      | 18            | .945/(24.00)  | 1.135/(28.82) |
| 44242-0009      | 20            | 1.063/(27.00) | 1.253/(31.82) |
| 44242-0010      | 22            | 1.181/(30.00) | 1.371/(34.82) |
| 44242-0011      | 24            | 1.299/(33.00) | 1.489/(37.82) |

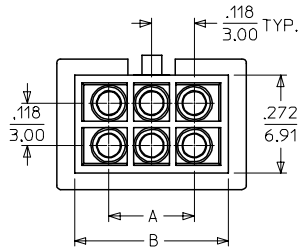


NOTES:

- MATERIAL:  
HOUSING: LCP, COLOR BLACK.  
POGO-PIN PROBE: HEAT TREATED BERYLLIUM COPPER.  
POGO-PIN RECEPTACLE: WORK-HARDENED NICKEL SILVER.
- FINISH:  
POGO-PIN PROBE: GOLD PLATED OVER HARD NICKEL.  
POGO-PIN RECEPTACLE: GOLD PLATED OVER HARD NICKEL.
- PRODUCT SPECIFICATION: PS-43045
- THIS PRODUCT IS INTENDED TO BE USED AS A TESTER FOR CONTINUITY ONLY.
- DO NOT MAKE OR BREAK CONTACT UNDER LOAD.
- MAXIMUM CURRENT CARRYING CAPACITY OF POGO-PIN IS 2.5 AMPERES.
- SOLDER CUP WILL ACCEPT 22-26 GAUGE WIRE.
- MAXIMUM MATING CYCLES OF TEST PLUG IS 10,000 CYCLES.



PROBE LOCATION WITHIN HOUSING (SCALE: 8X)



|   |                        |  |                        |   |                        |  |
|---|------------------------|--|------------------------|---|------------------------|--|
| <p><b>ADDE NOTE 8</b><br/>EC NO: UCP2005-1247<br/>DRAWN/RHOLTS 2004/12/22<br/>CHKD: SSOUSEK 2004/12/22<br/>APPR: YMARGULI2005/02/24</p> | QUALITY SYMBOLS        | GENERAL TOLERANCES (UNLESS SPECIFIED)                | SCALE 4:1              | DESIGN UNITS INCH   | THIRD ANGLE PROJECTION | REVISE ON CAD ONLY                           |
|   | <p>▽ = 0<br/>▽ = 0</p> | <p>mm INCH</p>                                       | DIMENSION STYLE        |   | TITLE                  |  |
|   |                        |  | 4 PLACES ± --- ± ---   | IN/MM   | MICRO-FIT(3.0)         |  |
|   |                        |  | 3 PLACES ± --- ± ---   | DRAWN BY SOMMER   | DATE 1998/09/08        | 4-24 CIRCUIT TEST PLUG ASSY - BMI COMPATIBLE |
| 2 PLACES ± --- ± ---  | CHECKED BY EDGLEY      | DATE 1998/09/10                                      | MOLEX INCORPORATED     |   |                        |  |
| 1 PLACE ± --- ± ---   | APPROVED BY EDGLEY     | DATE 1998/09/10                                      | MATERIAL NO. SEE CHART | DOCUMENT NO. SD-44242-001   | SHEET NO. 1 OF 1       |  |
| ANGULAR ±1/2°   |                        | DRAFT WHERE APPLICABLE MUST REMAIN WITHIN DIMENSIONS |                        | THIS DRAWING CONTAINS INFORMATION THAT IS PROPRIETARY TO MOLEX INCORPORATED AND SHOULD NOT BE USED WITHOUT WRITTEN PERMISSION |                        |  |