

DATA SHEET

RM6R RM cores and accessories

Product specification
Supersedes data of 1997 Nov 21
File under Magnetic Products, MA01

1999 Jan 18

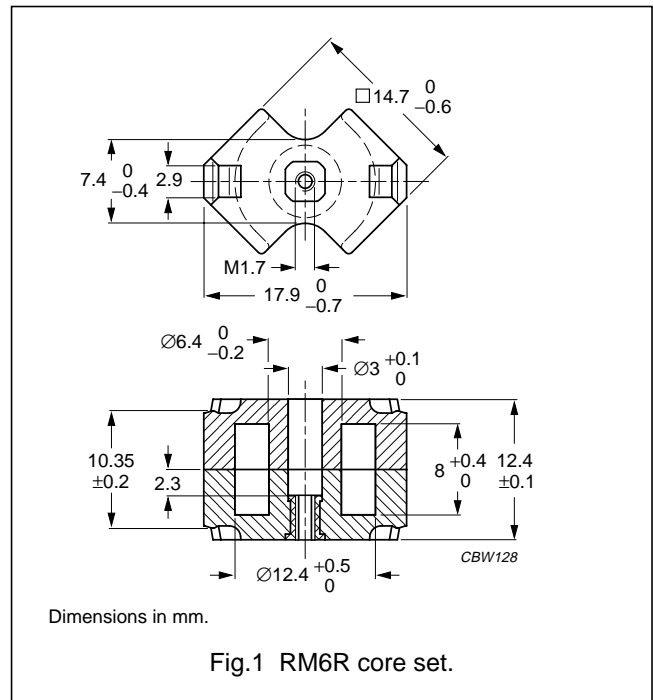
RM cores and accessories

RM6R

CORE SETS

Effective core parameters

SYMBOL	PARAMETER	VALUE	UNIT
$\Sigma(I/A)$	core factor (C1)	0.810	mm ⁻¹
V_e	effective volume	810	mm ³
l_e	effective length	25.6	mm
A_e	effective area	32.0	mm ²
A_{min}	minimum area	23.8	mm ²
m	mass of set	≈4.5	g



Core sets for filter applications

Clamping force 40 ±20 N.

GRADE	A_L (nH)	μ_e	AIR GAP (μm)	TYPE NUMBER (WITH NUT)	TYPE NUMBER (WITHOUT NUT)
4C6 ^{sup}	25 ±3%	≈16	≈2500	RM6R-4C6-E25/N	RM6R-4C6-E25
	40 ±3%	≈26	≈1000	RM6R-4C6-E40/N	RM6R-4C6-E40
	63 ±3%	≈41	≈400	RM6R-4C6-E63/N	RM6R-4C6-E63
	150 ±25%	≈97	≈0	–	RM6R-4C6
3D3 ^{sup}	40 ±3%	≈26	≈1200	RM6R-3D3-E40/N	RM6R-3D3-E40
	63 ±3%	≈41	≈700	RM6R-3D3-E63/N	RM6R-3D3-E63
	100 ±3%	≈65	≈400	RM6R-3D3-E100/N	RM6R-3D3-E100
	160 ±3%	≈103	≈200	RM6R-3D3-A160/N	RM6R-3D3-A160
	1000 ±25%	≈650	≈0	–	RM6R-3D3
3H3 ^{sup}	160 ±3%	≈103	≈230	RM6R-3H3-A160/N	RM6R-3H3-A160
	250 ±3%	≈161	≈110	RM6R-3H3-A250/N	RM6R-3H3-A250
	315 ±3%	≈203	≈90	RM6R-3H3-A315/N	RM6R-3H3-A315
	400 ±3%	≈258	≈70	RM6R-3H3-A400/N	RM6R-3H3-A400
	2200 ±25%	≈1420	≈0	–	RM6R-3H3

RM cores and accessories

RM6R

GRADE	A_L (nH)	μ_e	AIR GAP (μm)	TYPE NUMBER (WITH NUT)	TYPE NUMBER (WITHOUT NUT)
3H1 ^{sup}	160 \pm 3%	\approx 103	\approx 230	RM6R-3H1-A160/N	RM6R-3H1-A160
	250 \pm 3%	\approx 161	\approx 110	RM6R-3H1-A250/N	RM6R-3H1-A250
	315 \pm 3%	\approx 203	\approx 90	RM6R-3H1-A315/N	RM6R-3H1-A315
	400 \pm 3%	\approx 258	\approx 70	RM6R-3H1-A400/N	RM6R-3H1-A400
	630 \pm 5%	\approx 406	\approx 50	RM6R-3H1-A630/N	RM6R-3H1-A630
	1000 \pm 10%	\approx 650	\approx 25	RM6R-3H1-A1000/N	RM6R-3H1-A1000
	1250 \pm 10%	\approx 805	\approx 20	RM6R-3H1-A1250/N	RM6R-3H1-A1250
	2450 \pm 25%	\approx 1580	\approx 0	–	RM6R-3H1
3B7 ^{sup}	100 \pm 3%	\approx 63	\approx 490	RM6R-3B7-E100/N	RM6R-3B7-E100
	160 \pm 3%	\approx 103	\approx 230	RM6R-3B7-A160/N	RM6R-3B7-A160
	250 \pm 3%	\approx 161	\approx 110	RM6R-3B7-A250/N	RM6R-3B7-A250
	315 \pm 3%	\approx 203	\approx 90	RM6R-3B7-A315/N	RM6R-3B7-A315
	400 \pm 3%	\approx 258	\approx 70	RM6R-3B7-A400/N	RM6R-3B7-A400
	2700 \pm 25%	\approx 1740	\approx 0	–	RM6R-3B7

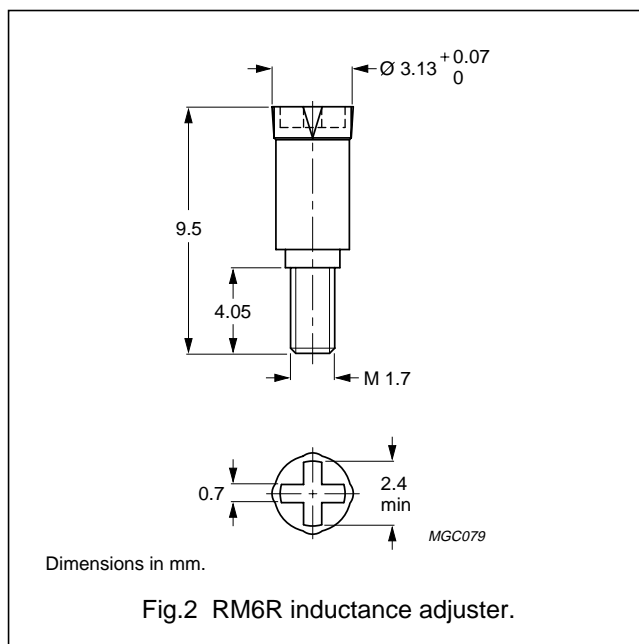
RM cores and accessories

RM6R

INDUCTANCE ADJUSTER

General data

PARAMETER	SPECIFICATION
Material of head and thread	polypropylene (PP), glass fibre reinforced
Maximum operating temperature	125 °C



Inductance adjuster selection chart

GRADE	A _L (nH)	TYPES FOR LOW ADJUSTMENT	ΔL/L ⁽¹⁾ %	TYPES FOR MEDIUM ADJUSTMENT	ΔL/L ⁽¹⁾ %	TYPES FOR HIGH ADJUSTMENT	ΔL/L ⁽¹⁾ %
3H1; 3H3; 3B7	40	–	–	–	–	ADJ-RM6-GREEN	20
	63	–	–	ADJ-RM6-GREEN	14	ADJ-RM6-RED	22
	100	ADJ-RM6-GREEN	10	ADJ-RM6-RED	16	–	–
	160	ADJ-RM6-GREEN	6	ADJ-RM6-RED	10	ADJ-RM6-WHITE	19
	200	ADJ-RM6-RED	8	ADJ-RM6-WHITE	15	ADJ-RM6-VIOLET	18
	250	ADJ-RM6-WHITE	12	ADJ-RM6-VIOLET	14	ADJ-RM6-BROWN	20
	315	ADJ-RM6-WHITE	9	ADJ-RM6-BROWN	15	ADJ-RM6-BLACK	22
	400	ADJ-RM6-VIOLET	8	ADJ-RM6-BLACK	16	ADJ-RM6-GREY	30
	630	ADJ-RM6-BLACK	9	ADJ-RM6-GREY	15	–	–
	1000	ADJ-RM6-BLACK	5	ADJ-RM6-GREY	8	–	–
3D3	1250	–	–	ADJ-RM6-GREY	5	–	–
	40	–	–	–	–	ADJ-RM6-GREEN	20
	63	–	–	ADJ-RM6-GREEN	14	ADJ-RM6-RED	23
	100	ADJ-RM6-GREEN	9	ADJ-RM6-RED	16	ADJ-RM6-WHITE	28
4C6	160	ADJ-RM6-RED	10	ADJ-RM6-WHITE	17	–	–
	25	–	–	–	–	ADJ-RM6-GREEN	20
	40	–	–	ADJ-RM6-GREEN	14	ADJ-RM6-RED	20
	63	ADJ-RM6-GREEN	8	ADJ-RM6-RED	12	–	–

Note

1. Maximum adjustment range.

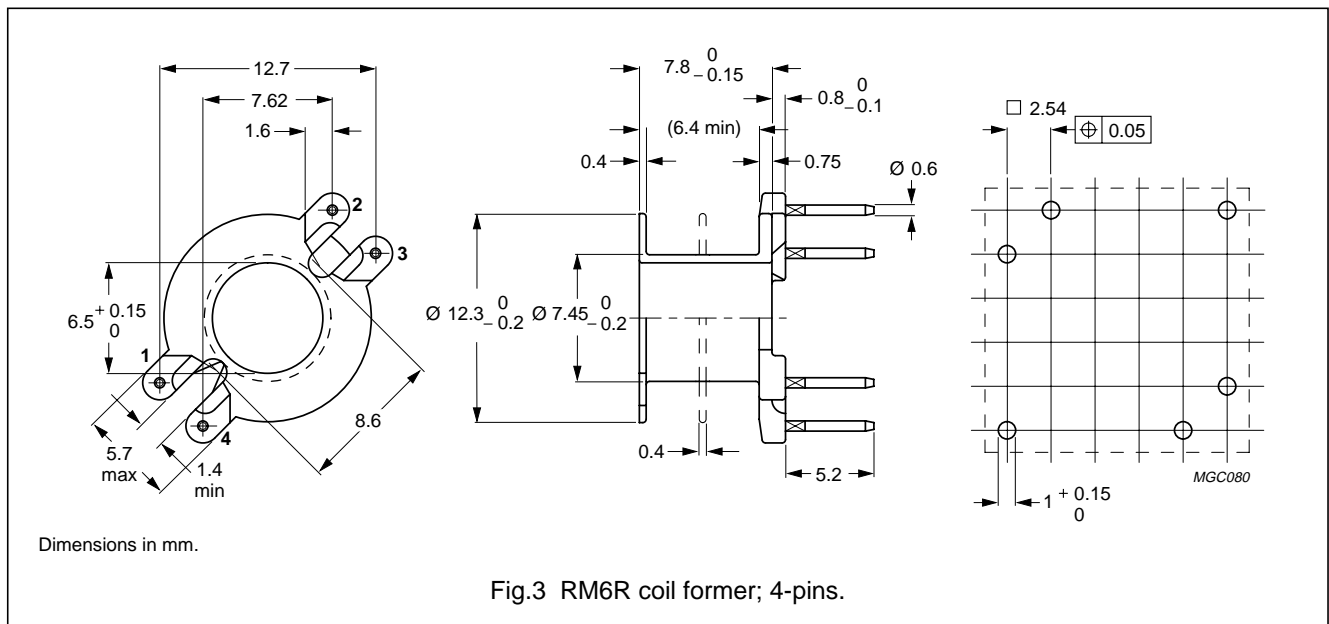
RM cores and accessories

RM6R

COIL FORMERS

General data

PARAMETER	SPECIFICATION
Coil former material	phenolformaldehyde (PF), glass-reinforced, flame retardant in accordance with "UL 94V-0"; UL file number E167521(M)
Pin material	copper-tin alloy (CuSn), tin-lead alloy (SnPb) plated
Maximum operating temperature	180 °C, "IEC 60085" class H
Resistance to soldering heat	"IEC 60068-2-20", Part 2, Test Tb, method 1B, 350 °C, 3.5 s
Solderability	"IEC 60068-2-20", Part 2, Test Ta, method 1

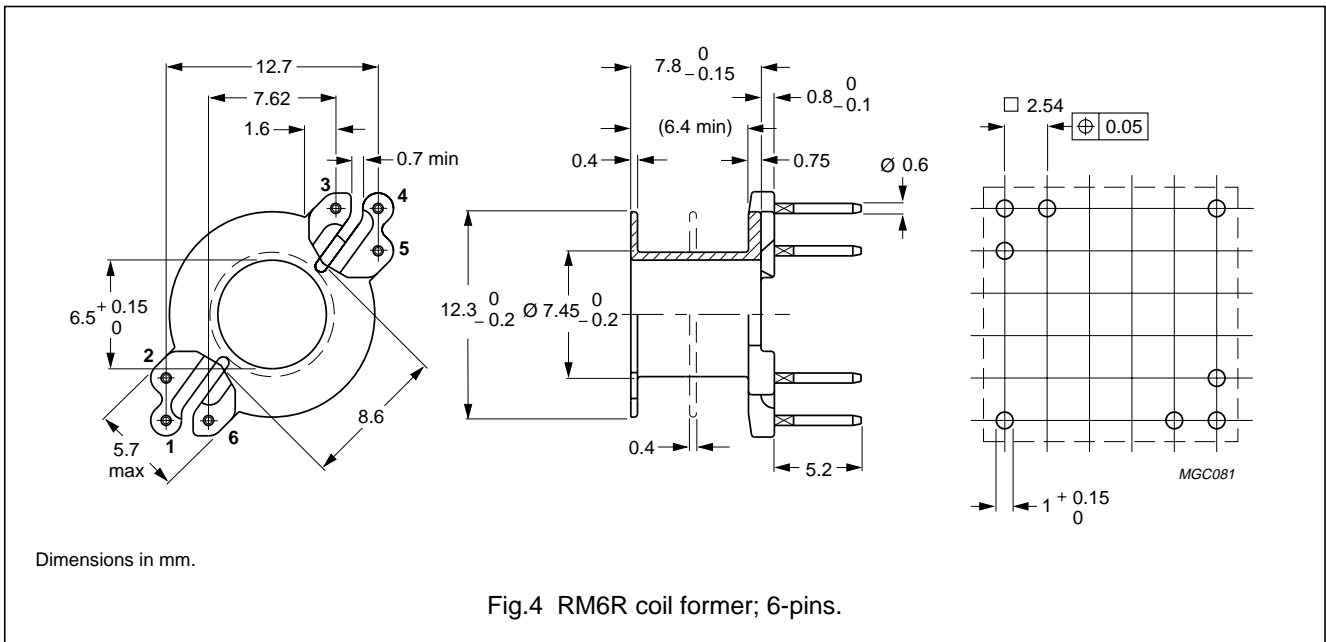


Winding data for 4-pins RM6R coil former

NUMBER OF SECTIONS	NUMBER OF PINS	PIN POSITIONS USED	AVERAGE LENGTH OF TURN (mm)	WINDING AREA (mm ²)	WINDING WIDTH (mm)	TYPE NUMBER
1	4	all	30	15	6.4	CSV-RM6S/R-1S-4P
2	4	all	30	2 × 7.0	2 × 3.0	CSV-RM6S/R-2S-4P

RM cores and accessories

RM6R



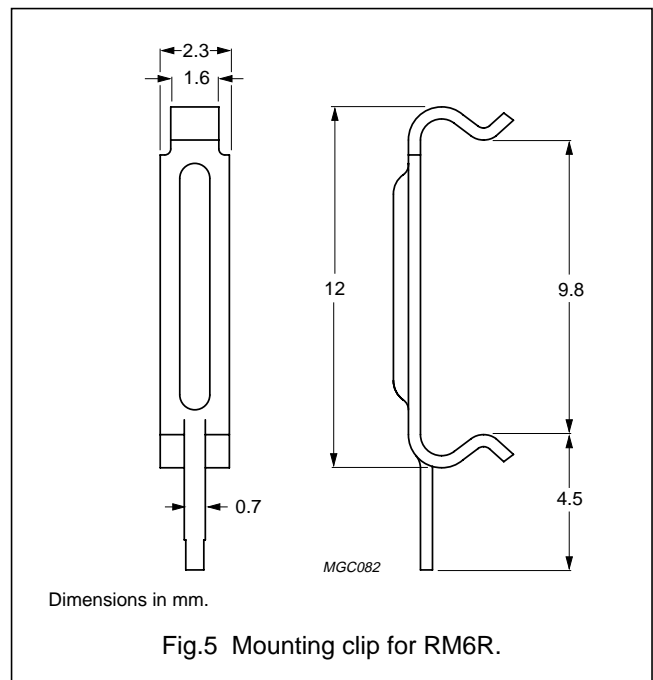
Winding data for 6-pins RM6R coil former

NUMBER OF SECTIONS	NUMBER OF PINS	PIN POSITIONS USED	AVERAGE LENGTH OF TURN (mm)	WINDING AREA (mm ²)	WINDING WIDTH (mm)	TYPE NUMBER
1	6	all	30	15	6.4	CSV-RM6R-1S-6P
2	6	all	30	2 × 7.0	2 × 3.0	CSV-RM6R-2S-6P

MOUNTING PARTS

General data

ITEM	SPECIFICATION
Clamping force	≈20 N
Clip material	steel
Clip plating	silver (Ag)
Solderability	"IEC 60068-2-20", Part 2, Test Ta, method 1
Type number	CLI/P-RM6



RM cores and accessories

RM6R




DEFINITIONS

Data sheet status	
Objective specification	This data sheet contains target or goal specifications for product development.
Preliminary specification	This data sheet contains preliminary data; supplementary data may be published later.
Product specification	This data sheet contains final product specifications.
Application information	
Where application information is given, it is advisory and does not form part of the specification.	

LIFE SUPPORT APPLICATIONS

These products are not designed for use in life support appliances, devices, or systems where malfunction of these products can reasonably be expected to result in personal injury. Philips customers using or selling these products for use in such applications do so at their own risk and agree to fully indemnify Philips for any damages resulting from such improper use or sale.

PRODUCT STATUS DEFINITIONS

STATUS	INDICATION	DEFINITION
Prototype		These are products that have been made as development samples for the purposes of technical evaluation only. The data for these types is provisional and is subject to change.
Design-in		These products are recommended for new designs.
Preferred		These products are recommended for use in current designs and are available via our sales channels.
Support		These products are not recommended for new designs and may not be available through all of our sales channels. Customers are advised to check for availability.

Philips Components – a worldwide company

Australia: Philips Components Pty Ltd., NORTH RYDE,
Tel. +61 2 9805 4455, Fax. +61 2 9805 4466

Austria: Österreichische Philips Industrie GmbH, WIEN,
Tel. +43 1 60 101 12 41, Fax. +43 1 60 101 12 11

Belarus: Philips Office Belarus, MINSK,
Tel. +375 172 200 924/733, Fax. +375 172 200 773

Benelux: Philips Nederland B.V., EINDHOVEN, NL,
Tel. +31 40 2783 749, Fax. +31 40 2788 399

Brazil: Philips Components, SÃO PAULO,
Tel. +55 11 821 2333, Fax. +55 11 829 1849

Canada: Philips Electronics Ltd., SCARBOROUGH,
Tel. +1 416 292 5161, Fax. +1 416 754 6248

China: Philips Company, SHANGHAI,
Tel. +86 21 6354 1088, Fax. +86 21 6354 1060

Denmark: Philips Components A/S, COPENHAGEN V,
Tel. +45 3329 3333, Fax. +45 3329 3905

Finland: Philips Components, ESPOO,
Tel. +358 9 615 800, Fax. +358 9 615 80510

France: Philips Composants, SURESNES,
Tel. +33 1 4099 6161, Fax. +33 1 4099 6493

Germany: Philips Components GmbH, HAMBURG,
Tel. +49 40 2489-0, Fax. +49 40 2489 1400

Greece: Philips Hellas S.A., TAVROS,
Tel. +30 1 4894 339/+30 1 4894 239, Fax. +30 1 4814 240

Hong Kong: Philips Hong Kong, KOWLOON,
Tel. +852 2784 3000, Fax. +852 2784 3003

India: Philips India Ltd., MUMBAI,
Tel. +91 22 4930 311, Fax. +91 22 4930 966/4950 304

Indonesia: P.T. Philips Development Corp., JAKARTA,
Tel. +62 21 794 0040, Fax. +62 21 794 0080

Ireland: Philips Electronics (Ireland) Ltd., DUBLIN,
Tel. +353 1 7640 203, Fax. +353 1 7640 210

Israel: Rapac Electronics Ltd., TEL AVIV,
Tel. +972 3 6450 444, Fax. +972 3 6491 007

Italy: Philips Components S.r.l., MILANO,
Tel. +39 2 6752 2531, Fax. +39 2 6752 2557

Japan: Philips Japan Ltd., TOKYO,
Tel. +81 3 3740 5135, Fax. +81 3 3740 5035

Korea (Republic of): Philips Electronics (Korea) Ltd., SEOUL,
Tel. +82 2 709 1472, Fax. +82 2 709 1480

Malaysia: Philips Malaysia SDN Berhad,
Components Division, PULAU PINANG,
Tel. +60 3 750 5213, Fax. +60 3 757 4880

Mexico: Philips Components, EL PASO, U.S.A.,
Tel. +52 915 772 4020, Fax. +52 915 772 4332

New Zealand: Philips New Zealand Ltd., AUCKLAND,
Tel. +64 9 815 4000, Fax. +64 9 849 7811

Norway: Norsk A/S Philips, OSLO,
Tel. +47 22 74 8000, Fax. +47 22 74 8341

Pakistan: Philips Electrical Industries of Pakistan Ltd., KARACHI,
Tel. +92 21 587 4641-49, Fax. +92 21 577 035/+92 21 587 4546

Philippines: Philips Semiconductors Philippines Inc.,
METRO MANILA, Tel. +63 2 816 6345, Fax. +63 2 817 3474

Poland: Philips Poland Sp. z.o.o., WARSZAWA,
Tel. +48 22 612 2594, Fax. +48 22 612 2327

Portugal: Philips Portuguesa S.A.,
Philips Components: LINDA-A-VELHA,
Tel. +351 1 416 3160/416 3333, Fax. +351 1 416 3174/416 3366

Russia: Philips Russia, MOSCOW,
Tel. +7 95 755 6918, Fax. +7 95 755 6919

Singapore: Philips Singapore Pte Ltd., SINGAPORE,
Tel. +65 350 2000, Fax. +65 355 1758

South Africa: S.A. Philips Pty Ltd., JOHANNESBURG,
Tel. +27 11 470 5911, Fax. +27 11 470 5494

Spain: Philips Components, BARCELONA,
Tel. +34 93 301 63 12, Fax. +34 93 301 42 43

Sweden: Philips Components AB, STOCKHOLM,
Tel. +46 8 5985 2000, Fax. +46 8 5985 2745

Switzerland: Philips Components AG, ZÜRICH,
Tel. +41 1 488 22 11, Fax. +41 1 481 7730

Taiwan: Philips Taiwan Ltd., TAIPEI,
Tel. +886 2 2134 2900, Fax. +886 2 2134 2929

Thailand: Philips Electronics (Thailand) Ltd., BANGKOK,
Tel. +66 2 745 4090, Fax. +66 2 398 0793

Turkey: Türk Philips Ticaret A.S., GÜLTEPE/ISTANBUL,
Tel. +90 212 279 2770, Fax. +90 212 282 6707

United Kingdom: Philips Components Ltd., DORKING,
Tel. +44 1306 512 000, Fax. +44 1306 512 345

United States:

- Display Components, ANN ARBOR, MI,
Tel. +1 734 996 9400, Fax. +1 734 761 2776
- Magnetic Products, SAUGERTIES, NY,
Tel. +1 914 246 2811, Fax. +1 914 246 0487
- Passive Components, SAN JOSE, CA,
Tel. +1 408 570 5600, Fax. +1 408 570 5700

Yugoslavia (Federal Republic of): Philips Components, BELGRADE,
Tel. +381 11 625344/373, Fax. +381 11 635 777

Internet:

- Display Components: www.dc.comp.philips.com
- Passive Components: www.passives.comp.philips.com

For all other countries apply to:

Philips Components, Building BF-1, P.O. Box 218, 5600 MD EINDHOVEN,
The Netherlands, Fax. +31-40-27 23 903.

COD21

© Philips Electronics N.V. 1999

All rights are reserved. Reproduction in whole or in part is prohibited without the prior written consent of the copyright owner.

The information presented in this document does not form part of any quotation or contract, is believed to be accurate and reliable and may be changed without notice. No liability will be accepted by the publisher for any consequence of its use. Publication thereof does not convey nor imply any license under patent- or other industrial or intellectual property rights.

Printed in The Netherlands

Let's make things better.

**Philips
Components**



PHILIPS