

**PLEASE CHECK WWW.MOLEX.COM FOR LATEST PART INFORMATION**

**Part Number:** [0461325002](#)  
**Status:** **Active**  
**Overview:** [handylink](#)  
**Description:** 0.80mm (.031") Pitch HandyLink™ Plug for PCB Termination, 10 Circuit with PCB Through Hold Options

**Documents:**

[3D Model](#) [Product Specification PS-46132-001 \(PDF\)](#)  
[Drawing \(PDF\)](#) [RoHS Certificate of Compliance \(PDF\)](#)

**Agency Certification**

CSA LR19980  
 UL E29179

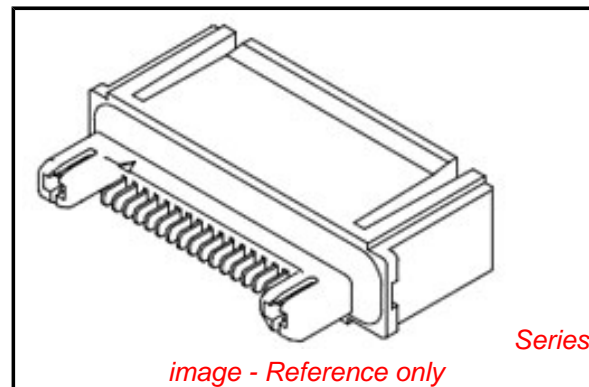
**General**

Product Family I/O Connectors  
 Series [46132](#)  
 Application Board-to-Board, Wire-to-Board  
 Comments Please reference Application Specification AS-44828-001 when designing  
 Component Type Plug  
 More Detailed Tech Information [handylink@molex.com](mailto:handylink@molex.com)  
 Overview [handylink](#)  
 Product Name HandyLink®  
 Type N/A

**Physical**

Circuits (Loaded) 10  
 Circuits (maximum) 10  
 Circuits Detail Terminals 1, 4-7 and 12-16 Loaded  
 Color - Resin Black  
 Durability (mating cycles max) 700  
 Flammability 94V-0  
 Gender Plug  
 Keying to Mating Part None  
 Lock to Mating Part Yes  
 Material - Metal High Performance Alloy (HPA), Stainless Steel  
 Material - Plating Mating Gold, Tin  
 Material - Plating Termination Tin  
 Material - Resin High Temperature Thermoplastic  
 Orientation Vertical  
 Packaging Type Tray  
 Panel Mount No  
 Pitch - Mating Interface (in) 0.031 In  
 Pitch - Mating Interface (mm) 0.80 mm  
 Plating min: Mating (µin) 4, 50.00  
 Plating min: Mating (µm) 0.1, 1.250  
 Plating min: Termination (µin) 200, 50.00  
 Plating min: Termination (µm) 1.25, 5  
 Polarized to Mating Part Yes  
 Surface Mount Compatible (SMC) No  
 Temperature Range - Operating -40°C to +85°C  
 Termination Interface: Style Through Hole  
 Wire Size AWG N/A

**Electrical**



**EU RoHS**

**ELV and RoHS Compliant**  
**REACH SVHC**  
 Not Reviewed  
**Halogen-Free Status**  
 Not Reviewed

**China RoHS**



**Need more information on product environmental compliance?**

Email [productcompliance@molex.com](mailto:productcompliance@molex.com)  
 For a multiple part number RoHS Certificate of Compliance, [click here](#)

Please visit the [Contact Us](#) section for any non-product compliance questions.

**Search Parts in this Series**

[46132Series](#)

**Mates With**

[44828 HandyLink™ SMT Receptacle](#)

Current - Maximum per Contact	1.5A
Shielded	No
Voltage - Maximum	30V

**Solder Process Data**

Duration at Max. Process Temperature (seconds)	40
Lead-free Process Capability	Wave Capable (TH only)
Max. Cycles at Max. Process Temperature	3
Process Temperature max. C	260

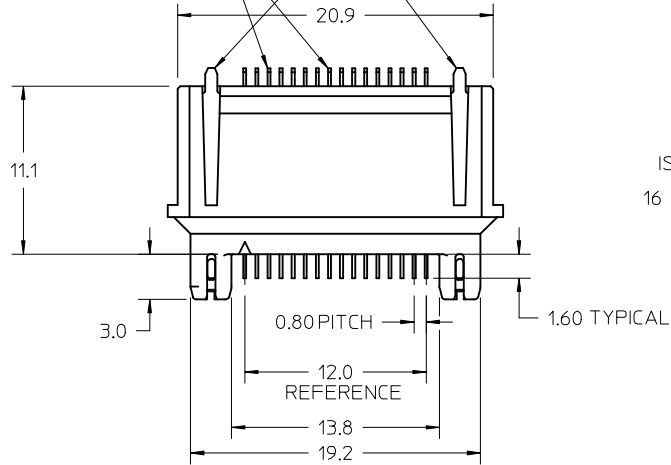
**Material Info****Reference - Drawing Numbers**

Product Specification	PS-46132-001
Sales Drawing	SD-46132-500

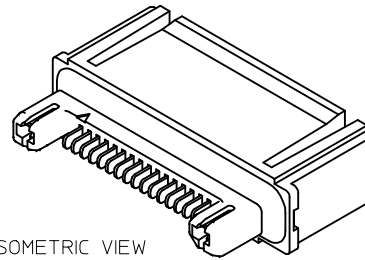
This document was generated on 05/20/2010

**PLEASE CHECK [WWW.MOLEX.COM](http://WWW.MOLEX.COM) FOR LATEST PART INFORMATION**

TERMINAL SOLDER TAILS LATCH SOLDER TAILS

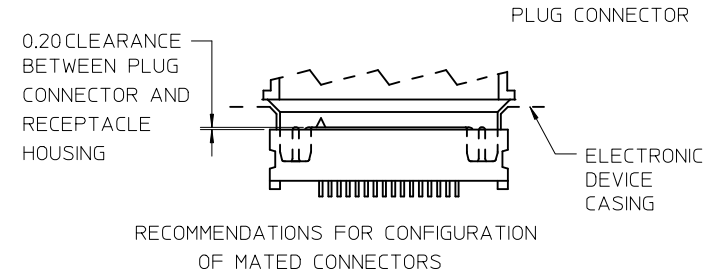
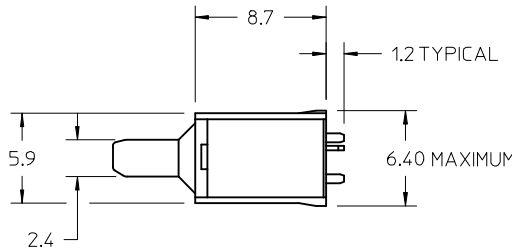
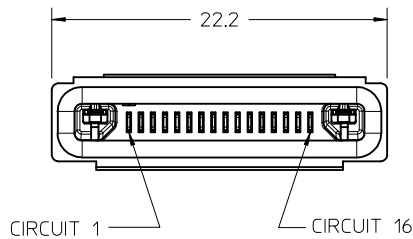


ISOMETRIC VIEW  
16 CIRCUIT MODULE



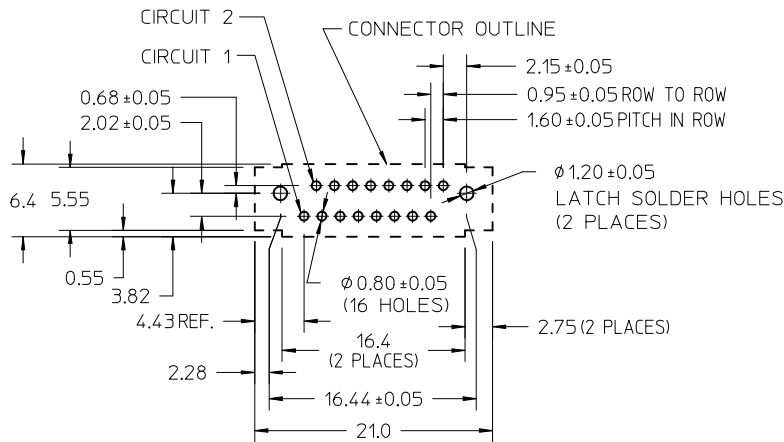
NOTES:

- MATERIALS:
  - HOUSING: HIGH-TEMPERATURE NYLON, GLASS FILLED, UL94V-0, COLOR: BLACK.
  - TERMINAL: TIN-BRASS ALLOY
  - LATCHES: STAINLESS STEEL.
- FINISHES:
  - TERMINAL: SELECTIVE GOLD IN CONTACT AREA, THICKNESS= 0.1 MICROMETERS MINIMUM; OVER SELECTIVE PALLADIUM NICKEL IN CONTACT AREA, THICKNESS= 1.0 MICROMETER MINIMUM; SELECTIVE BRIGHT TIN IN SOLDER TAIL AREA, THICKNESS= 1.01 MICROMETERS MINIMUM; NICKEL UNDERPLATE OVERALL.
  - LATCHES: OVERALL TIN, THICKNESS= 5 MICROMETERS MINIMUM, NICKEL UNDERPLATE OVERALL.
- PRODUCT SPECIFICATION: PS-46132-001.
- APPLICATION SPECIFICATION: AS-44828-001.
- PACKAGED PER PACKAGING SPECIFICATION PK-45593-001.
- PART COMPLIES WITH CLASS C OF COSMETIC SPECIFICATION PS-45499-002.



**IMPORTANT: PLEASE REFER TO MOLEX APPLICATION SPECIFICATION AS-44828-001 FOR DETAILED DESIGN LAYOUT AND MATING REQUIREMENTS.**

NO. OF CIRCUITS	PLUG ITEM NUMBER	TERMINAL LOCATIONS (PRESENCE DENOTED BY AN X)															
		1	2	3	4	5	6	7	8	9	10	11	12	13	14	15	16
16	461325000	X	X	X	X	X	X	X	X	X	X	X	X	X	X	X	X
11	461325001	X	X	X			X			X	X	X	X	X	X		X
10	461325002	X			X	X	X	X					X	X	X	X	X



ADD -5001 & -5006	EC NO: UCP2009-2006	DRW:DMORGAN 2009/03/02	CHKD:MIBARRA 2009/03/03	APPR:SMILLER 2009/03/03	DESCRIPTION
B					

QUALITY SYMBOLS ▽=0 ▽=0	GENERAL TOLERANCES (UNLESS SPECIFIED)	DIMENSION STYLE IN/MM	SCALE 4:1	DESIGN UNITS INCH	THIRD ANGLE PROJECTION
	mm INCH	DRAWN BY DMORGAN	DATE 2009/01/29	CHECKED BY MIBARRA	DATE 2009/01/29
	4 PLACES ± --- ± ---				
	3 PLACES ± --- ± .005				
	2 PLACES ± 0.13 ± .010				
	1 PLACE ± 0.25 ± ---				
	ANGULAR ± 1/2°				
DRAFT WHERE APPLICABLE MUST REMAIN WITHIN DIMENSIONS	SEE CHART	MOLEX INCORPORATED		SD-46132-500	
		MATERIAL NO. DOCUMENT NO.		SHEET NO.	
				1 OF 1	
	THIS DRAWING CONTAINS INFORMATION THAT IS PROPRIETARY TO MOLEX INCORPORATED AND SHOULD NOT BE USED WITHOUT WRITTEN PERMISSION				