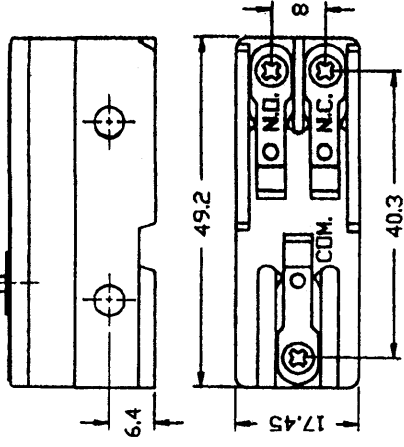


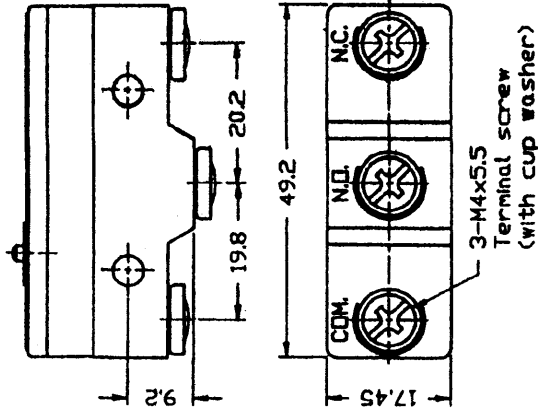
372-0779

CHARACTERISTICS		Rating	15A 125VAC or 250VAC
Contact resistance	15mΩ max. (initial)	Terminal	Z15GI300
Insulation resistance	100MΩ min. (at 500 VDC)	Item No.	
Dielectric strength	1,000 VAC/50/60Hz for 1 minute between	OF	250-350g
Mechanically service life	1,000,000 operations min.	RF min.	114g
Electrically service life	100,000 operations min.	PT max.	0.4mm
		OT min.	0.13mm
		MD max.	0.05mm
		FP max.	15.9±0.4mm

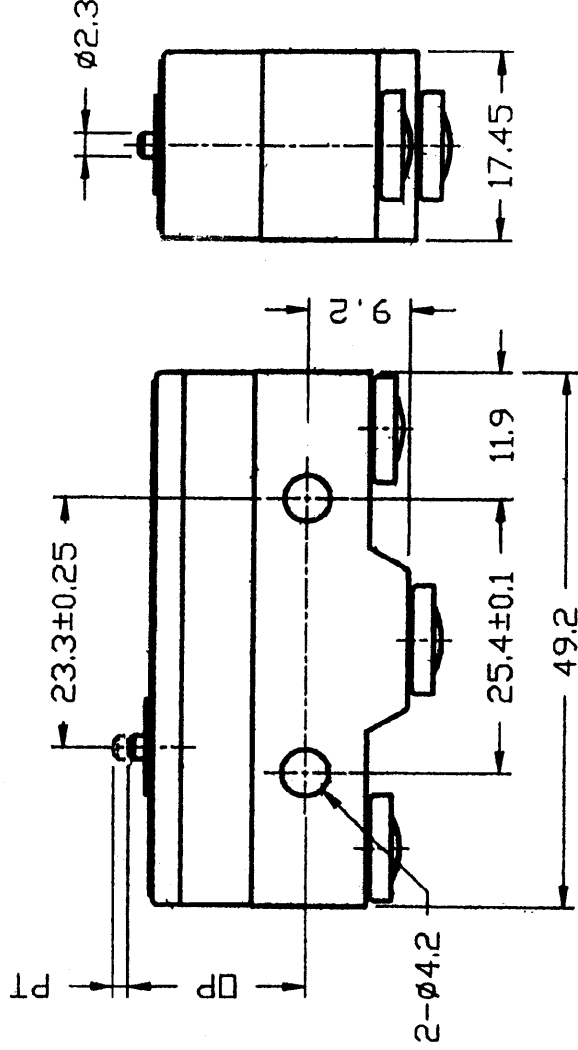
Solder terminal



Screw terminal (-B)



版本: A



海立電氣有限公司 HIGHLY ELECTRIC CO LTD		修正REVISION	日期DATE	說明DESCRIPTION	檢核CHECKED 劉克風 9/29	單位UNIT m/m	材質MATERIAL	日期DATE 83.09.27	料號 TYPE NO Z15GI300
					繪圖DRAWN LKV	比例SCALE 1.5=1	公差TOLERANCE ±0.15	加工PROCESS	檔案 FILE NO 01111000