

Triacs sensitive gate

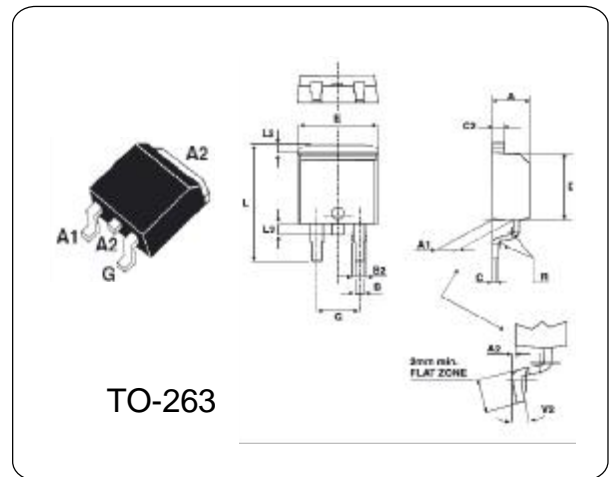
T2535-800G

GENERAL DESCRIPTION

Passivated, sensitive gate triacs in a plastic envelope, intended for use in general purpose bidirectional switching and phase control applications, where high sensitivity is required in all four quadrants.

ABSOLUTE MAXIMUM RATINGS ( Ta = 25 °C)

Parameter	Symbol	Typ	Unit
Repetitive peak off-state voltages	$V_{DRM}$ $V_{RRM}$	800	V
RMS on-state current	$I_{T(RMS)}$	25	A
Non-repetitive peak on-state current	$I_{TSM}$	262	A
Max. Operating Junction Temperature	$T_j$	110	°C
Storage Temperature	$T_{stg}$	-45~150	°C



ELECTRICAL CHARACTERISTICS ( Ta = 25 °C)

Parameter	Symbol	Test Conditions	Min	Typ	Max	Unit
Repetitive peak off-state voltages	$V_{DRM}$ $V_{RRM}$		—	800	—	V
RMS on-state current	$I_{T(RMS)}$	full sine wave; $T_{mb} \leq 107\text{ °C}$	—	25	—	A
On-state voltage	$V_T$	$I_T=35A$	—	1.4	1.65	V
Holding current	$I_H$	$V_D = 12\text{ V}; I_{GT} = 0.1\text{ A}$	—	—	50	mA
Gate trigger current	T2+G+	$V_D = 12\text{ V}; I_T = 0.1\text{ A}$	—	—	35	mA
	T2+G-		—	—	35	
	T2-G-		—	—	35	
	T2-G+		—	—	60	
Latching current	T2+G+	$V_D = 12\text{ V}; I_{GT} = 0.1\text{ A}$	—	—	40	mA
	T2+G-		—	—	60	
	T2-G-		—	—	40	
	T2-G+		—	—	60	
Gate trigger voltage	$V_{GT}$	$V_D = 12\text{ V}; I_T = 0.1\text{ A}$	—	0.7	1.3	V