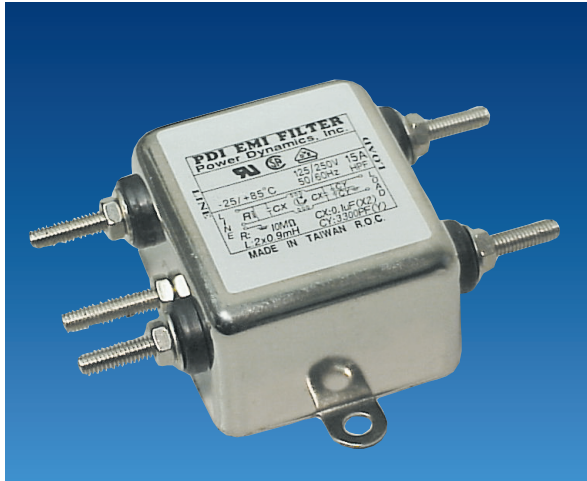


# PD Series CHASSIS MOUNT, SINGLE AND DOUBLE STAGE EMI/RFI LINE FILTER.



## FEATURES

The PD series offers single and double stage filters in the same package particularly for high impedance loads. Designed for easy mounting, this low profile chassis mount filter offers current ratings up to 20 Amps at 250VAC. One size package offers both single and double stage filtering. (See PC series for Quick Connect Terminals)

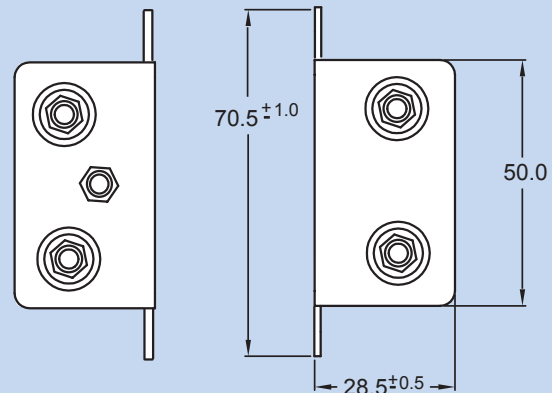
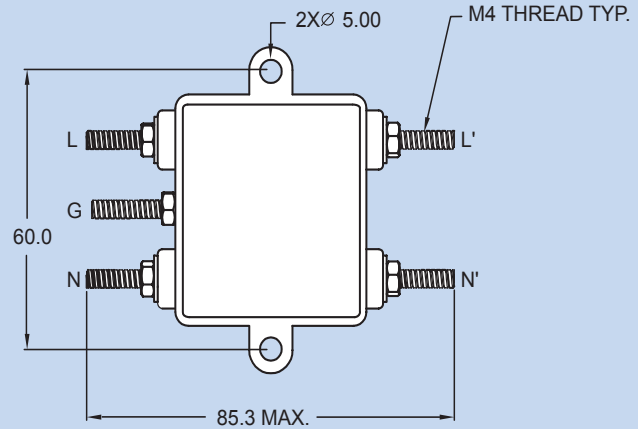
## APPLICATIONS

Computer & networking equipment, Measuring & control equipment, Data processing equipment, laboratory instruments, Switching power supplies, other electronic equipment.

## TECHNICAL DATA

- Rated Voltage: 250VAC
- Rated Current: 1A, 3A, 5A, 6A, 10A, 15A, 20A
- Power Line Frequency: 60Hz
- Leakage Current: 0.8mA, 250VAC
- Hipot Rating (one minute)
  - Line to Ground: 2250VDC
  - Line to Line: 1450VDC
- Temperature Range: -25C to +85C


## MECHANICAL DIMENSIONS (Unit: mm)



Specifications subject to change without notice. Dimensions (mm).

# PD Series Example & Ordering Code

PD 05 PS - 1

<p>CURRENT RATING (A):</p> 	<p>= 01<sup>+</sup>                  = 03<sup>+</sup>                  = 05*                  = 06<sup>+</sup>                  = 10<sup>+</sup>                  = 15*                  = 20*</p>
<p>TERMINAL:</p>	<p>SCREW = PS</p>
<p>SCHEMATIC:</p>	<p>(ONE STAGE) = 1                  (TWO STAGE) = 2</p>

## PD Series Attenuation Tables

### Non-Medical Applications

Insertion loss in dB (50 Ohm circuit)

#### ONE STAGE

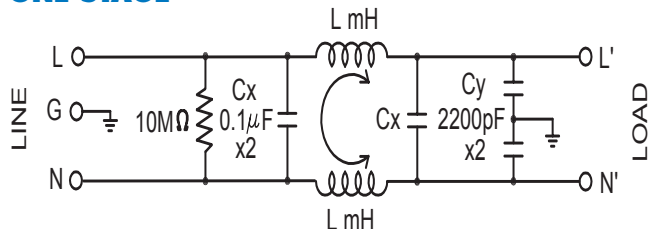
Current Rating	Inductance in mH	Comm. Mode(L-G) MHz						Diff. mode(L-L) MHz					
		.15	.5	1	5	10	30	.15	.5	1	5	10	30
5A	1.7	17	27	31	42	46	42	7	37	37	46	42	37
10A	1.2	16	24	28	34	36	40	9	36	35	40	42	38
15A	0.9	14	19	22	32	33	41	10	32	28	37	38	40
20A	0.5	7	17	22	32	34	50	7	27	28	36	39	46

#### TWO STAGE

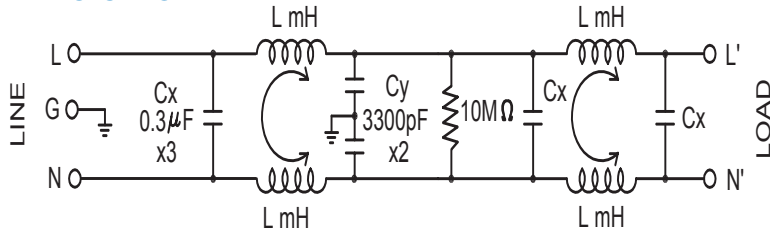
Current Rating	Inductance in mH	Comm. Mode(L-G) MHz						Diff. mode(L-L) MHz					
		.15	.5	1	5	10	30	.15	.5	1	5	10	30
1A	3.7	46	74	73	58	51	27	7	52	46	54	47	32
3A	1.8	38	68	80	58	53	48	5	53	62	51	44	38
6A	0.7	21	51	62	66	69	51	15	30	75	55	49	41
10A	0.3	4	32	50	66	58	48	6	18	54	55	48	41

### SCHEMATICS

#### ONE STAGE



#### TWO STAGE



- \* Single stage only
- \* Double stage only
- \* Available in single & double stage