

16-bit Proprietary Microcontroller

CMOS

F²MC-16L MB90620A Series

MB90622A/623A/P623A

■ DESCRIPTION

The MB90620A series is a line of general-purpose, 16-bit microcontrollers designed for those applications which require high-speed real-time processing, proving to be suitable for various industrial machines, camera and video devices, OA equipment, and for process control. The CPU used in this series is the F²MC*-16L. The instruction set for the F²MC-16L CPU core is designed to be optimized for controller applications while inheriting the AT architecture of the F²MC-16/16H series, allowing a wide range of control tasks to be processed efficiently at high speed.

The peripheral resources integrated in the MB90620A series include: the UART (clock asynchronous/synchronous transfer) × 1 channel, the extended serial I/O interface × 1 channel, the A/D converter (8/10-bit precision) × 4 channels, the 16-bit PPG timer (PWM/single-shot function) × 2 channels, the 16-bit reload timer × 3 channels, the 16-bit free-run timer (built-in compare register: 2 channels) × 2 channels, the external interrupt × 8 channels, the watch timer × 1 channel, LCD controller/driver 32 segments × 4 commons.

*: F²MC stands for FUJITSU Flexible Microcontroller.

■ FEATURES

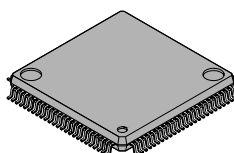
F²MC-16L CPU

- Minimum execution time: 83.33 ns (at machine clock frequency of 12 MHz)
- Dual-clock control systems
- PLL clock control

(Continued)

■ PACKAGE

100-pin Plastic LQFP



(FPT-100P-M05)

MB90620A Series

(Continued)

- Instruction set optimized for controller applications
 - Variety of data types: bit, byte, word, long-word
 - Expanded addressing modes: 23 types
 - High coding efficiency
 - Improvement of high-precision arithmetic operations through use of 32-bit accumulator
- Instruction set supports high-level language (C language) and multitasking
 - Inclusion of system stack pointer
 - Enhanced pointer-indirect instructions
 - Barrel shift instruction
- Improved execution speed: 4-byte instruction queue
- 8-level, 32-factor powerful interrupt service functions
- Automatic transfer function independent of CPU (EI²OS)
- General-purpose ports: max. 59 channels
- 18-bit timebase timer/15-bit watch timer
- Watchdog timer function
- CPU intermittent operation function
- Various standby modes

Peripheral blocks

- ROM: 32 Kbytes (MB90622A)
 - 48 Kbytes (MB90623A)
- One-time PROM: 48 Kbytes (MB90P623A)
- RAM: 1.64 Kbytes (MB90622A)
 - 2 Kbytes (MB90623A/P623A)
- General-purpose ports: max. 59 channels
- Dual-clock control system
- PLL clock multiplication control system
- UART: 1 channel
 - Can be used for either asynchronous transfer or synchronous transfer with clock
- Extended serial I/O interface: 1 channel
 - Can be used for 8-bit synchronous transfer
- A/D converter (8/10-bit resolution): 4 channels
- PPG (Programable pulse generator): 2 channels
- 16-bit reload timer: 3 channels
- 16-bit free-run timer: 2 channels
 - With compare register 2 channels
- LCD controller/driver
 - 32 segments, 4 commons
- External interrupts: 8 channels
- 18-bit timebase timer
- 15-bit watch timer
- Watchdog timer function
- CPU intermittent operation function
- Standby mode
 - Watch mode
 - Sleep mode
 - Stop mode

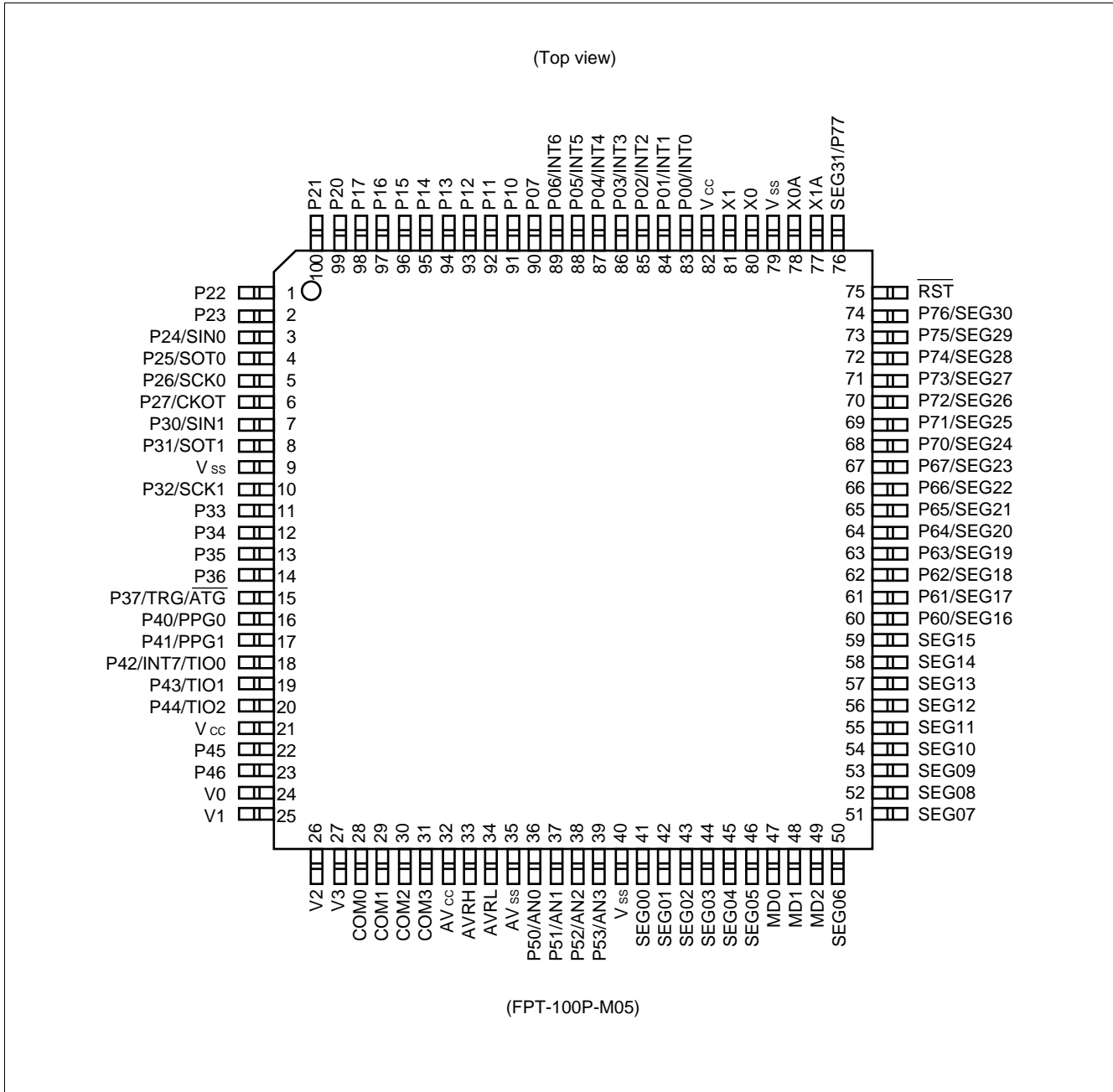
MB90620A Series

■ PRODUCT LINEUP

Part number Parameter	MB90622A	MB90623A	MB90P623A
Classification	Mass production products (Mask ROM products)		One-time model
ROM size	32 Kbytes	48 Kbytes	48 Kbytes
RAM size	1.64 Kbytes	2 Kbytes	2 Kbytes
CPU functions	Number of instructions: 340 Instruction bit length: 8 or 16 bits Instruction length: 1 to 7 bytes Data bit length: 1, 4, 8, 16, or 32 bits Minimum execution time: 83.33 ns at 12 MHz (internal)		
Oscillation circuit	Dual-clock system of main clock and sub clock		
Ports	Max. 59 channels I/O ports (CMOS): 17 (I/O ports (CMOS) with pull-up resistor available: 24) I/O ports (open drain): 18		
UART	Number of channels: 1 Clock synchronous communication (1202 to 9615 bps, full-duplex double buffering) Clock asynchronous communication (62.5 K to 1 M bps, full-duplex double buffering) Supports multiprocessor mode		
Serial	Number of channels: 1 Internal or external clock mode Clock synchronous transfer (62.5 kHz to 1 MHz, "LSB first" or "MSB first" transfer)		
A/D converter	Resolution: 10 or 8 bits, Number of input channels: 4 Single-conversion mode (conversion for a specified input channel) Scan conversion mode (continuous conversion for specified consecutive channels) Continuous conversion mode (repeated conversion for a specified channel) Stop conversion mode (periodical conversion)		
Timer	Number of channels: 3 16-bit reload timer operation (operation clock: SUB/2, $\phi/2^3$, $\phi/2^5$, external)		
Free-run timer	Number of channels: 2 16-bit up-counter (four types of count clocks) 2 channels on each timer of the compare register (compare matching interrupt available)		
PPG timer	Number of channels: 2 PWM function, single-shot function With external trigger function		
LCD controller /driver	Common output: 4 channels, Segment output: 32 channels Direct driving of the LCD module 16 bytes of data memory for display Operation clock source (main clock/sub clock selective)		
Standby modes	Stop mode, sleep mode, and watch mode		
PLL functions	Main clock multiplication ($\times 1$, $\times 2$, $\times 3$ and $\times 4$)		
Package	FPT-100P-M05		

MB90620A Series

■ PIN ASSIGNMENT



■ PIN DESCRIPTION

Pin no.	Pin name	Circuit type	Function
77 78	X1A X0A	A (Oscillation)	Crystal oscillator pins (32 kHz)
79	V _{ss}	Power supply	Digital circuit power supply (GND) pin
80 81	X0 X1	A (Oscillation)	Crystal/FAR oscillator pins (4 MHz)
82	V _{cc}	Power supply	Digital circuit power supply pin
83 to 89	P00 to P06	M (CMOS/H)	General-purpose I/O ports At this pin, a pull-up resistor is added in the input mode depending on the settings of the pull-up resistor setting register.
	INT0 to INT6		External interrupt request input pins When external interrupts are enabled, these inputs may be used at any time; therefore, it is necessary to stop output by other functions on these pins, except when using them for output deliberately.
90	P07	G (CMOS)	General-purpose I/O port At this pin, a pull-up resistor is added in the input mode depending on the settings of the pull-up resistor setting register.
91 to 98	P10 to P17	G (CMOS)	General-purpose I/O ports At this pin, a pull-up resistor is added in the input mode depending on the settings of the pull-up resistor setting register.
99, 100 1, 2	P20 to P23	G (CMOS)	General-purpose I/O ports At this pin, a pull-up resistor is added in the input mode depending on the settings of the pull-up resistor setting register.
3	P24	F (CMOS/H)	General-purpose I/O port At this pin, a pull-up resistor is added in the input mode depending on the settings of the pull-up resistor setting register.
	SIN0		UART serial data input pin During UART input operations, these inputs may be used at any time; therefore, it is necessary to stop output by other functions on these pins, except when using them for output deliberately.
4	P25	G (CMOS)	General-purpose I/O port At this pin, a pull-up resistor is added in the input mode depending on the settings of the pull-up resistor setting register.
	SOT0		UART serial data output pin This function is available when the UART serial data output is enabled.
5	P26	F (CMOS/H)	General-purpose I/O port At this pin, a pull-up resistor is added in the input mode depending on the settings of the pull-up resistor setting register.
	SCK0		UART serial data I/O pin This function is available when the UART clock output is enabled. During UART input operations, these inputs may be used at any time; therefore, it is necessary to stop output by other functions on these pins, except when using them for output deliberately.

(Continued)

MB90620A Series

Pin no.	Pin name	Circuit type	Function
6	P27	G (CMOS)	General-purpose I/O port At this pin, a pull-up resistor is added in the input mode depending on the settings of the pull-up resistor setting register.
	CKOT		Clock output pin This function is available when clock output is enabled.
7	P30	E (CMOS/H)	General-purpose I/O port
	SIN1		I/O extended serial data input pin This pin, as required, is used for input during input operation, and it is necessary to disable output for other functions from this pin unless such output is made intentionally.
8	P31	D (CMOS)	General-purpose I/O port
	SOT1		I/O extended serial data output pin This function is available when serial data data output is enabled.
9	V _{ss}	Power supply	Digital circuit power supply (GND) pin
10	P32	E (CMOS/H)	General-purpose I/O port
	SCK1		I/O extended serial clock I/O pins This function is available when clock input is enabled. This pin, as required, is used for input during input operation, and it is necessary to disable output for other functions from this pin unless such output is made intentionally.
11 to 14	P33 to P36	D (CMOS)	General-purpose I/O ports
15	P37	E (CMOS/H)	General-purpose I/O port
	TRG		PPG0 and PPG1 external trigger input pin
	$\overline{\text{ATG}}$		A/D converter trigger input pin During A/D converter input operations, these inputs may be used at any time; therefore, it is necessary to stop output by other functions on these pins, except when using them for output deliberately.
16	P40	D (CMOS)	General-purpose I/O port This function is available when PPG timer 0 output is disabled.
	PPG0		PPG timer 0 output pin This function is available when the PPG timer 0 waveform output is enabled.
17	P41	D (CMOS)	General-purpose I/O port This function is available when PPG timer 1 output is disabled.
	PPG1		PPG timer 1 output pin This function is available when the PPG timer 1 waveform output is enabled.

(Continued)

MB90620A Series

Pin no.	Pin name	Circuit type	Function
18	P42	L (CMOS/H)	General-purpose I/O port This function is available when the timer output from timer 0 is disabled.
	INT7		External interrupt request input pin When external interrupts are enabled, these inputs may be used at any time; therefore, it is necessary to stop output by other functions on these pins, except when using them for output deliberately.
	TIO0		Timer input pin The data on this pin is used as event count signal for timer 0. Timer output pin This function is available when the timer output from timer 0 is enabled.
19	P43	E (CMOS/H)	General-purpose I/O port This function is available when the timer output from timer 1 is disabled.
	TIO1		Timer input pin The data on this pin is used as event count signal for timer 1. Timer output pin This function is available when the timer output from timer 1 is enabled.
20	P44	E (CMOS/H)	General-purpose I/O port This function is available when the timer output from timer 2 is disabled.
	TIO2		Timer input pin The data on this pin is used as event count signal for timer 2. Timer output pin This function is available when the timer output from timer 2 is enabled.
21	V _{CC}	Power supply	Digital circuit power supply pin
22, 23	P45, P46	H (CMOS)	Open-drain I/O ports
24 to 27	V0 to V3	Power supply	LCDC reference power supply pins
28 to 31	COM0 to COM3	K	LCDC common pins
32	AV _{CC}	Power supply	Analog circuit power supply pin This power supply must only be turned on or off when electric potential of AV _{CC} or greater is applied to V _{CC} .
33	AVRH	Power supply	Analog circuit reference voltage input pin This pin must only be turned on or off when electric potential of AVRH or greater is applied to AV _{CC} .
34	AVRL	Power supply	Analog circuit reference voltage input pin
35	AV _{SS}	Power supply	Analog circuit power supply (GND) pin

(Continued)

MB90620A Series

(Continued)

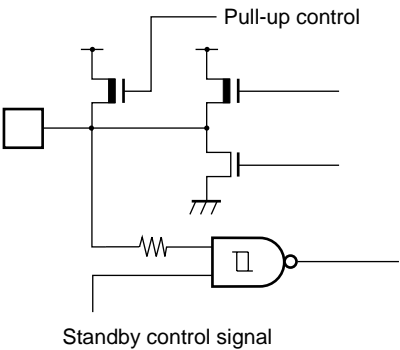
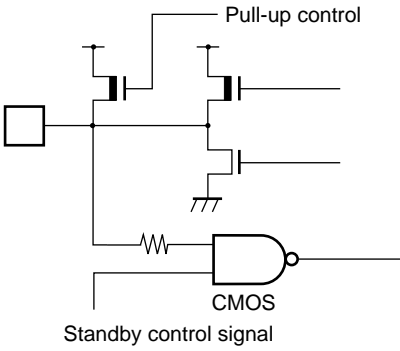
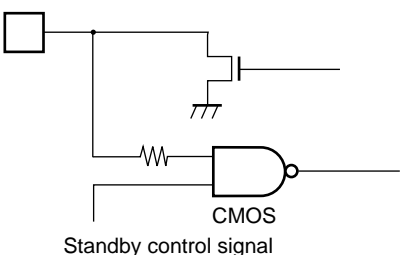
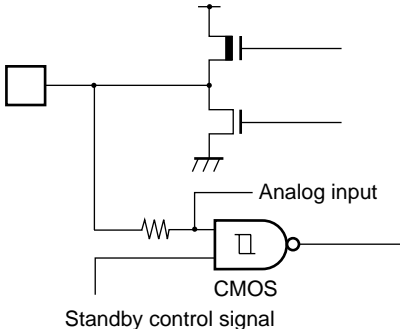
Pin no.	Pin name	Circuit type	Function
36 to 39	P50 to P53	I (AD)	General-purpose I/O ports This function is available when "port" is specified in the analog input enable register.
	AN0 to AN3		A/D converter analog input pins This function is available when the analog input enable register specification is "AD."
40	V _{ss}	Power supply	Digital circuit power supply (GND) pin
41 to 46	SEG00 to SEG05	K	LCDC segment-only pins
47 to 49	MD0 to MD2	C (CMOS)	Operating mode selection input pins Connect directly to V _{CC} or V _{SS} .
50 to 59	SEG06 to SEG15	K	LCDC segment-only pins
60 to 67	P60 to P67	J	Open-drain I/O ports This is available when enabled by the LCR2.
	SEG16 to SEG23		LCDC segment pins
68 to 74	P70 to P76	J	Open-drain I/O ports This is available when enabled by the LCR2.
	SEG24 to SEG30		LCDC segment pins
75	R \overline{ST}	B (CMOS/H)	External reset request input pin
76	P77	J	Open-drain I/O port This is available when enabled by the LCR2.
	SEG31		LCDC segment pin

■ I/O CIRCUIT TYPE

Type	Circuit	Remarks
A	<p style="text-align: center;">Standby control signal</p>	<ul style="list-style-type: none"> • Oscillation feedback resistor: Approximately 1 MΩ
B		<ul style="list-style-type: none"> • Hysteresis input with pull-up resistor
C		<ul style="list-style-type: none"> • CMOS input port
D	<p style="text-align: center;">Standby control signal</p>	<ul style="list-style-type: none"> • CMOS level input/output
E	<p style="text-align: center;">Standby control signal</p>	<ul style="list-style-type: none"> • CMOS level output • Hysteresis input

(Continued)

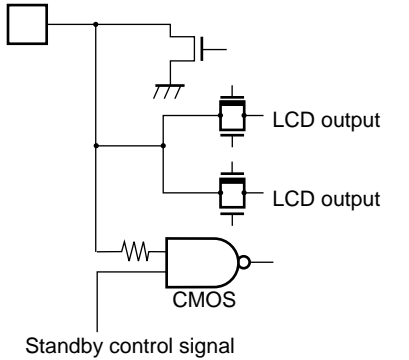
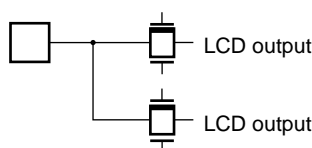
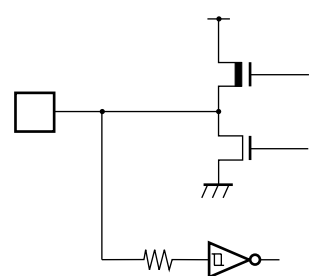
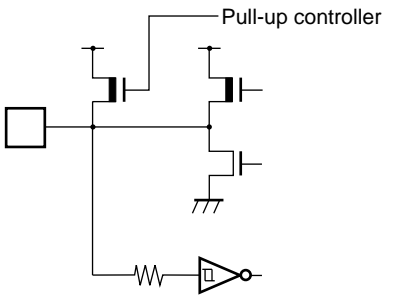
MB90620A Series

Type	Circuit	Remarks
F		<ul style="list-style-type: none"> • With input pull-up resistor control • CMOS level output • Hysteresis input
G		<ul style="list-style-type: none"> • With input pull-up resistor control • CMOS level input/output
H		<ul style="list-style-type: none"> • Open-drain type input/output
I		<ul style="list-style-type: none"> • CMOS level input/output • Analog input

(Continued)

MB90620A Series

(Continued)

Type	Circuit	Remarks
J		<ul style="list-style-type: none"> • Open-drain type output • CMOS level input • Combined with the LCD output
K		<ul style="list-style-type: none"> • LCD output pin
L		<ul style="list-style-type: none"> • CMOS level output • Hysteresis input
M		<ul style="list-style-type: none"> • With input pull-up resistor control • CMOS level output • Hysteresis input

MB90620A Series

■ HANDLING DEVICES

1. Preventing Latchup

Latchup may occur on CMOS ICs if voltage higher than V_{CC} or lower than V_{SS} is applied to the input and output pins other than medium- and high voltage pins or if higher than the voltage is applied between V_{CC} and V_{SS} .

When latchup occurs, power supply current increases rapidly and might thermally damage elements. When using, take great care not to exceed the absolute maximum ratings.

2. Treatment of Unused Pins

Leaving unused input pins open could cause malfunctions. They should be connected to a pull-up or pull-down resistors.

3. External Reset Input

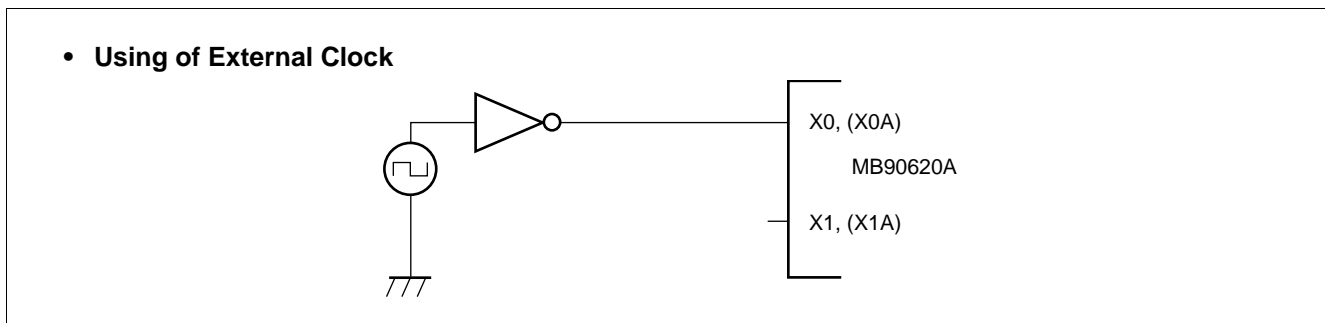
To reset the internal circuit by the Low-level input to the \overline{RST} pin, the Low-level input to the \overline{RST} pin must be maintained for at least five machine cycles. Pay attention to it if the chip uses external clock input.

4. V_{CC} and V_{SS} Pins

Apply equal potential to the V_{CC} and V_{SS} pins.

5. Precautions when Using an External Clock

When an external clock is used, drive X0 pin.



6. Sequence for Applying A/D Converter Power Supply and Analog Inputs

Be sure to turn on the digital power supply (V_{CC}) before applying the A/D converter power supply (AV_{CC} , $AVRH$, and $AVRL$) and the analog inputs ($AN0$ to $AN15$).

In addition, when the power is turned off, turn off the A/D converter power supply (AV_{CC} , $AVRH$, and $AVRL$) and the analog inputs ($AN0$ to $AN15$) first, and then turn off the digital power supply (AV_{CC}).

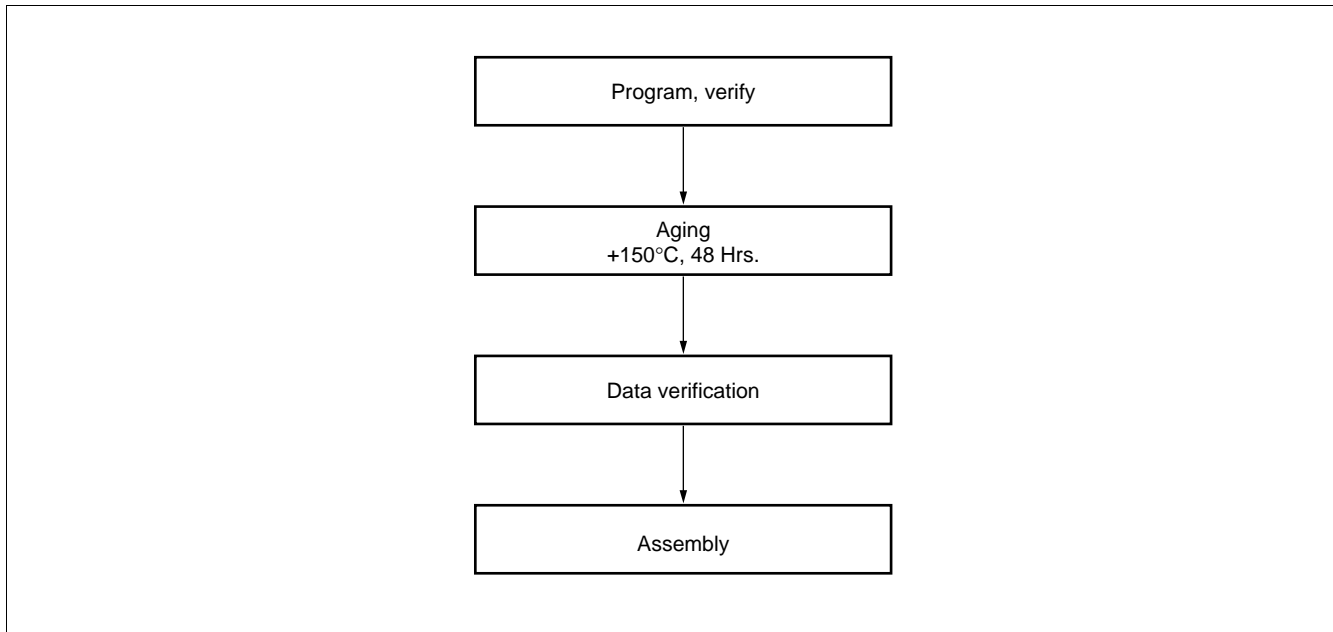
Whether applying or cutting off the power, be certain that $AVRH$ does not exceed AV_{CC} .

7. Program Mode

In the MB90P623, all of the bits ($48\text{ K} \times 8$ bits) are set to “1” when the IC is shipped from Fujitsu and after erasure. To input data, program the IC by selectively setting the desired bits to “0”. Bits cannot be set to “1” electrically.

8. Recommended Screening Conditions

High-temperature aging is recommended as the pre-assembly screening procedure for a product with a blanked OTPROM width microcontroller program.



9. Programming Yield

All bit cannot be programmed at Fujitsu shipping test to a blanked OTPROM microcomputer, due to its nature. For this reason, a programming yield of 100% cannot be assured at all times.

MB90620A Series

■ PROGRAMMING TO THE EPROM ON THE MB90P623A

In EPROM mode, the MB90P623 EPROM functions equivalent to the MBM27C1000. This allows the PROM to be programmed with a general-purpose EPROM programmer by using the dedicated socket adapter.

1. EPROM Mode Pin Assignments

- MBM27C1000 compatible pins

MBM27C1000		MB90P623A	
Pin no.	Pin name	Pin no.	Pin name
1	V _{PP}	49	MD2 (V _{PP})
2	OE*	10	P32
3	A15	98	P17
4	A12	95	P14
5	A07	6	P27
6	A06	5	P26
7	A05	4	P25
8	A04	3	P24
9	A03	2	P23
10	A02	1	P22
11	A01	100	P21
12	A00	99	P20
13	D00	83	P00
14	D01	84	P01
15	D02	85	P02
16	GND*	—	—

MBM27C1000		MB90P623A	
Pin no.	Pin name	Pin no.	Pin name
32	V _{CC}	—	—
31	PGM	11	P33
30	N.C.	—	—
29	A14	97	P16
28	A13	96	P15
27	A08	91	P10
26	A09	92	P11
25	A11	94	P13
24	A16	7	P30
23	A10	93	P12
22	CE	8	P31
21	A07	90	P07
20	D06	89	P06
19	D05	88	P05
18	D04	87	P04
17	D03	86	P03

* : Connect a capacitance of 20 pF across OE (pin no.2) and GND (pin no.16) pins of the MBM27C1000.

- Power supply, GND connection pins

Classification	Pin no.	Pin name
Power supply	21	V _{CC}
	82	V _{CC}
GND	9	V _{SS}
	34	AVRL
	35	AV _{SS}
	40	V _{SS}
	75	R _{ST}
	79	V _{SS}
	12	P34
	13	P35
14	P36	

MB90620A Series

• Non-MBM27C1000 compatible pins

Pin no.	Pin name	Treatment
47 48 80 78	MD0 MD1 X0 X0A	Connect a pull-up resistor of 4.7 kΩ
81 77 28 to 31 41 to 46 50 to 59	X1 X1A COM0 to COM3 SEG00 to SEG05 SEG06 to SEG15	OPEN
15 16 to 20 22 23 24 to 27 32 33 36 to 39 60 to 74 76	P37 P40 to P44 P45 P46 V0 to V3 AV _{cc} AVRH P50 to P53 P60 to p76 P77	Connect a pull-up resistor of about 1 MΩ to each pin.

2. EPROM Programmer Socket Adapter

Part no.	Package	Compatible socket adapter Sun Hayato Co., Ltd.
MB90P623APFV	SQFP-100	ROM-100SQF-32DP-16L

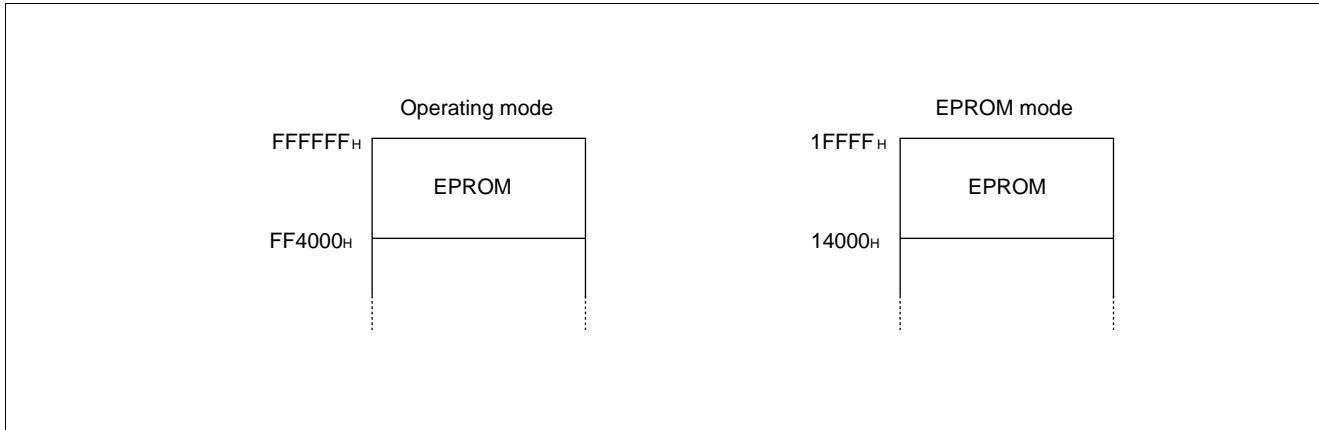
Inquiry: Sun Hayato Co., Ltd.: TEL (81)-3-3986-0403
FAX (81)-3-5396-9106

MB90620A Series

3. Programming Procedure

- (1) Set the EPROM programmer to the MBM27C1000.
- (2) Load the program data into the EPROM programmer at 14000_H to 1FFFF_H.

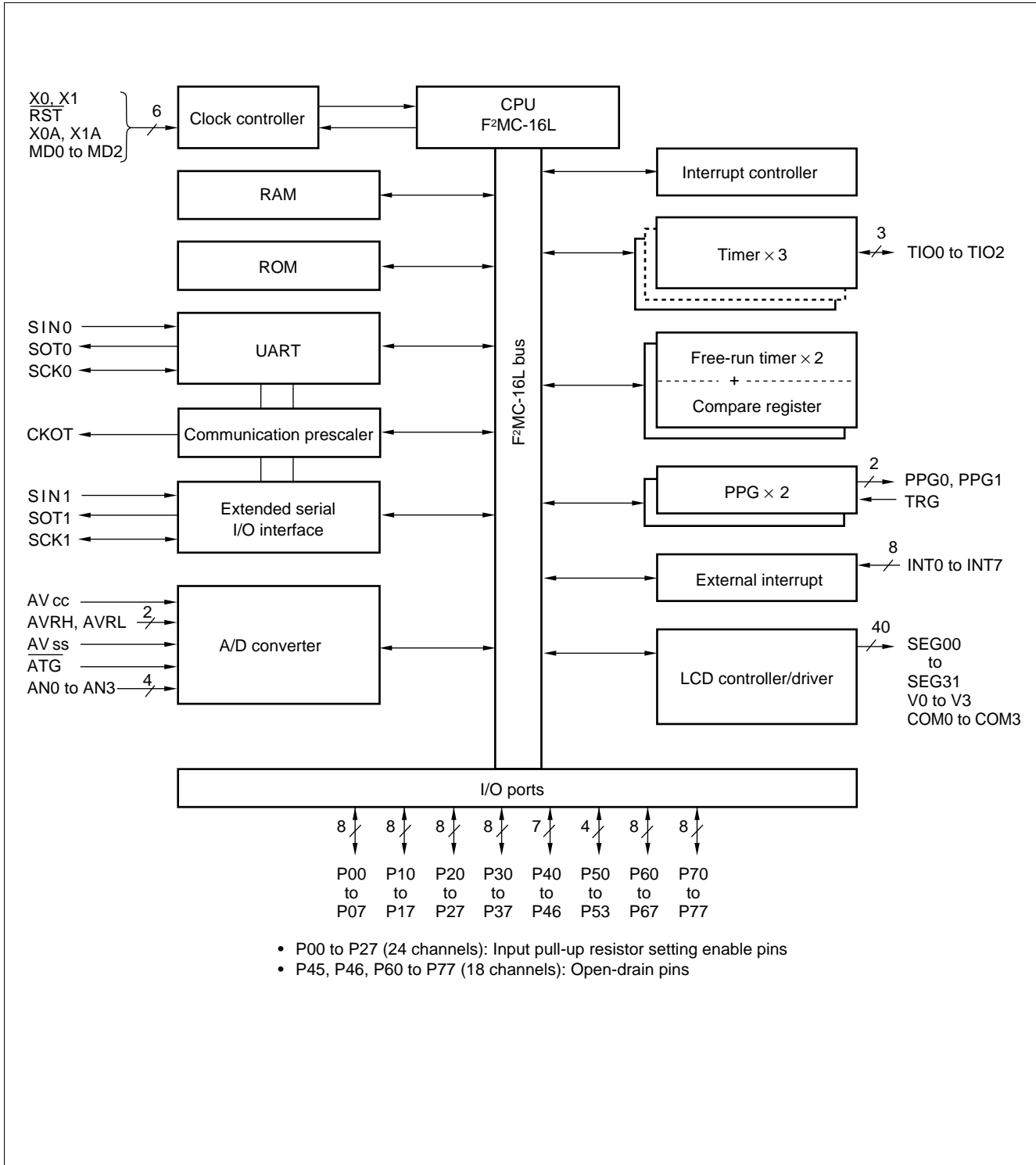
The ROM addresses from FF4000_H to FFFFFFF_H in operating mode of MB90P623A series correspond to 14000_H to 1FFFF_H in EPROM mode.



- (3) Insert the MB90P623A in the socket adapter, and mount the socket adapter on the EPROM programmer. Pay attention to the orientation of the device and of the socket adapter when doing so.
- (4) Activate the programming.
- (5) If programming cannot be performed successfully, connect a 0.1 μ F or similar capacitor between V_{CC} and GND and between V_{PP} and GND.

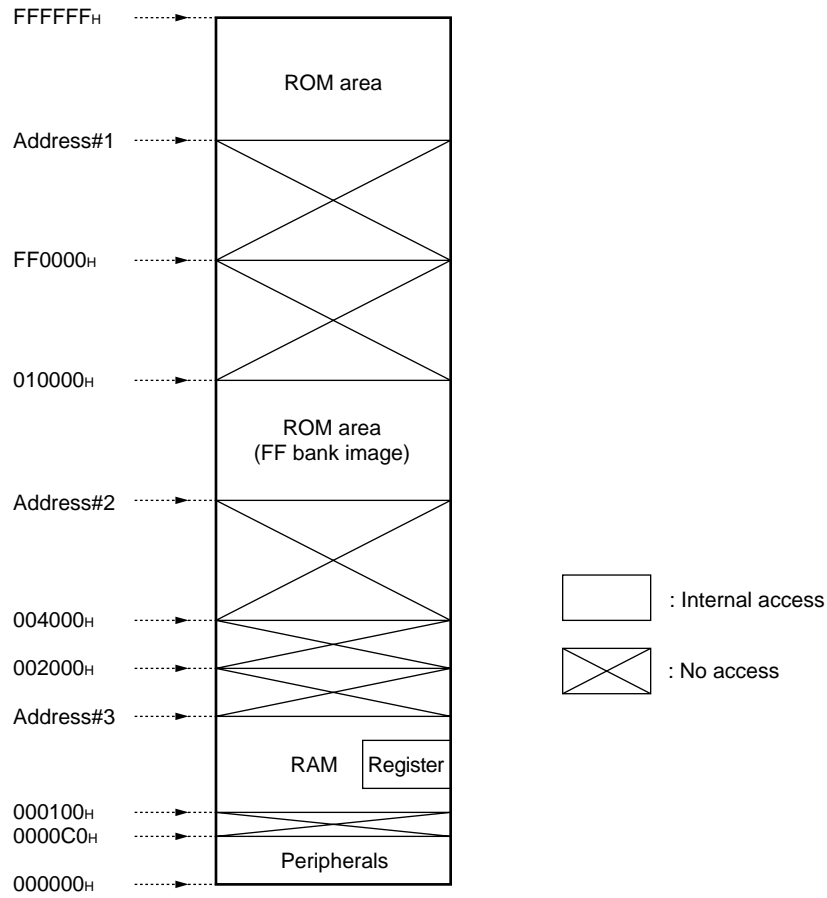
Note: Because the mask ROM products (MB90623A) do not have an EPROM mode, they cannot read data from the EPROM programmer.

■ BLOCK DIAGRAM



MB90620A Series

MEMORY MAP



Product	Address #1	Address #2	Address #3
MB90622A	FF8000H	008000H	000780H
MB90623A	FF4000H	004000H	000900H
MB90P623A	FF4000H	004000H	000900H

Note: While the ROM data image of bank FF can be seen in the upper portion of bank 00, this is done only to permit effective use of the C compiler's small model. Because the lower 16 bits of bank FF address and the lower 16 bits of bank 00 are the same, it is possible to reference tables in ROM without declaring the "far" specification in the pointer.

MB90620A Series

■ I/O MAP

Address	Register	Register name	Access	Resource name	Initial value
00000H	Port 0 data register	PDR0	R/W	Port 0	XXXXXXXXXX
000001H	Port 1 data register	PDR1	R/W	Port 1	XXXXXXXXXX
000002H	Port 2 data register	PDR2	R/W	Port 2	XXXXXXXXXX
000003H	Port 3 data register	PDR3	R/W	Port 3	XXXXXXXXXX
000004H	Port 4 data register	PDR4	R/W	Port 4	-XXXXXXXXXX
000005H	Port 5 data register	PDR5	R/W	Port 5	----XXXXX
000006H	Port 6 data register	PDR6	R/W	Port 6	XXXXXXXXXX
000007H	Port 7 data register	PDR7	R/W	Port 7	-XXXXXXXXXX
000008H to 0FH	Vacancy*				
000010H	Port 0 direction register	DDR0	R/W	Port 0	00000000
000011H	Port 1 direction register	DDR1	R/W	Port 1	00000000
000012H	Port 2 direction register	DDR2	R/W	Port 2	00000000
000013H	Port 3 direction register	DDR3	R/W	Port 3	00000000
000014H	Port 4 direction register	DDR4	R/W	Port 4	-0000000
000015H	Port 5 direction register	DDR5	R/W	Port 5	----0000
000016H	Port 6 direction register	DDR6	R/W	Port 6	00000000
000017H	Port 7 direction register	DDR7	R/W	Port 7	00000000
000018H to 19H	Vacancy*				
00001AH	Port 0 pull-up resistor setting register	RDR0	R/W	Port 0	00000000
00001BH	Port 1 pull-up resistor setting register	RDR1	R/W	Port 1	00000000
00001CH	Port 2 pull-up resistor setting register	RDR2	R/W	Port 2	00000000
00001DH	Analog input enable register	ADER	R/W	A/D	----1111
00001EH	Clock output enable register	CKOT	R/W	Clock output (CKOT)	----0000
00001FH	Vacancy*				
000020H	Serial mode register	SMR	R/W	UART	00000000
000021H	Serial control register	SCR	R/W		00000100
000022H	Serial input register/ Serial output register	SIDR/ SODR	R/W		XXXXXXXXXX
000023H	Serial status register	SSR	R/W		0001--00
000024H	Serial mode control status register	SMCS	R/W	Extended serial I/O interface	---00000
000025H					00000010
000026H	Serial data register	SDR	R/W		XXXXXXXXXX

(Continued)

MB90620A Series

Address	Register	Register name	Access	Resource name	Initial value
000027 _H	Communication prescaler control register	CDCR	R/W	UART, I/O, serial	0 --- 1 1 1 1
000028 _H	DTP/Interrupt enable register	ENIR	R/W	DTP/external interrupt	0 0 0 0 0 0 0 0
000029 _H	DTP/Interrupt source register	EIRR	R/W		0 0 0 0 0 0 0 0
00002A _H	Request level setting register	ELVR	R/W		0 0 0 0 0 0 0 0
00002B _H					0 0 0 0 0 0 0 0
00002C _H	A/D control status register	ADCS0	R/W	8/10-bit A/D converter	0 0 0 0 0 0 0 0
00002D _H		ADCS1			0 0 0 0 0 0 0 0
00002E _H	A/D data register	ADCR0	R/W		XXXXXXXXXX
00002F _H		ADCR1			0 0 0 0 0 0 XX
000030 _H	PPG0 cycle setting register	PCSR0	W	16-bit PPG timer 0	XXXXXXXXXX
000031 _H					XXXXXXXXXX
000032 _H	PPG0 duty factor setting register	PDUT0	W		XXXXXXXXXX
000033 _H					XXXXXXXXXX
000034 _H	PPG0 control status register	PCNL0	R/W	0 0 0 0 0 0 0 0	
000035 _H		PCNH0		0 0 0 0 0 0 0 -	
000036 _H to 37 _H	Vacancy*				
000038 _H	PPG1 cycle setting register	PCSR1	W	16-bit PPG timer 1	XXXXXXXXXX
000039 _H					XXXXXXXXXX
00003A _H	PPG1 duty factor setting register	PDUT1	W		XXXXXXXXXX
00003B _H					XXXXXXXXXX
00003C _H	PPG1 control status register	PCNL1	R/W	0 0 0 0 0 0 0 0	
00003D _H		PCNH1		0 0 0 0 0 0 0 -	
00003E _H , 3F _H	Vacancy*				
000040 _H	Timer control status register	TMCSR0	R/W	16-bit reload timer 0	0 0 0 0 0 0 0 0
000041 _H					--- 0 0 0 0
000042 _H	16-bit timer register	TMR0	R/W		XXXXXXXXXX
000043 _H					XXXXXXXXXX
000044 _H	16-bit reload register	TMRLR0	R/W	XXXXXXXXXX	
000045 _H				XXXXXXXXXX	

(Continued)

MB90620A Series

Address	Register	Register name	Access	Resource name	Initial value	
000046H	Timer control status register 1	TMCSR1	R/W	16-bit reload timer 1	0 0 0 0 0 0 0	
000047H					--- 0 0 0 0	
000048H	16-bit timer register 1	TMR1	R/W		XXXXXXXXX	
000049H					XXXXXXXXX	
00004AH	16-bit reload register 1	TMRLR1	R/W		XXXXXXXXX	
00004BH					XXXXXXXXX	
00004CH to 4FH	Vacancy*					
000050H	Timer control status register 2	TMCSR2	R/W		16-bit reload timer 2	0 0 0 0 0 0 0
000051H				--- 0 0 0 0		
000052H	16-bit timer register 2	TMR2	R/W	XXXXXXXXX		
000053H				XXXXXXXXX		
000054H	16-bit reload register 2	TMRLR2	R/W	XXXXXXXXX		
000055H				XXXXXXXXX		
000056H	Timer data register 0	TCDT0	R	16-bit free-run timer 0		0 0 0 0 0 0 0
000057H						0 0 0 0 0 0 0
000058H	Timer control status register 0	TCS0	R/W		0 0 0 0 0 0 0	
000059H	Compare control status register 0	CCS0	R/W		0 0 0 0 -- 0 0	
00005AH	Timer 0 compare register 0	TCR00	R/W	Compare register block	XXXXXXXXX	
00005BH					XXXXXXXXX	
00005CH	Timer 0 compare register 1	TCR01	R/W		XXXXXXXXX	
00005DH					XXXXXXXXX	
00005EH, 5FH	Vacancy*					
000060H	Timer data register 1	TCDT1	R		16-bit free-run timer 1	0 0 0 0 0 0 0
000061H				0 0 0 0 0 0 0		
000062H	Timer control status register 1	TCS1	R/W	0 0 0 0 0 0 0		
000063H	Compare control status register 1	CCS1	R/W	0 0 0 0 -- 0 0		
000064H	Timer 1 compare register 0	TCR10	R/W	Compare register block	XXXXXXXXX	
000065H					XXXXXXXXX	
000066H	Timer 1 compare register 1	TCR11	R/W		XXXXXXXXX	
000067H					XXXXXXXXX	

(Continued)

MB90620A Series

Address	Register	Register name	Access	Resource name	Initial value
000068H to 6FH	Vacancy*				
000070H to 7FH	LCD display data RAM	VRAM	R/W	LCD controller/ driver	XXXXXXXXXX
000080H	LCDC control register 0	LCR0	R/W		00010000
000081H	LCDC control register 1	LCR1			0--00000
000082H to 8FH	Vacancy*				
000090H to 9EH	System reserved area*				
00009FH	Delayed interrupt source generation/ release register	DIRR	R/W	Delayed interrupt generation module	-----0
0000A0H	Low-power consumption mode control register	LPMCR	R/W	Low-power consumption	00011000
0000A1H	Clock selection register	CKSCR	R/W		11111100
0000A2H to A7H	Vacancy*				
0000A8H	Watchdog timer control register	WDTC	R/W	Watchdog timer	XXXXXXXXXX
0000A9H	Timebase timer control register	TBTC	R/W	Timebase timer	1--00000
0000AAH	Watch timer control register	WTC	R/W	Watch timer	1X-00000
0000ABH to AFH	Vacancy*				
0000B0H	Interrupt control register 00	ICR00	R/W	Interrupt controller	00000111
0000B1H	Interrupt control register 01	ICR01	R/W		00000111
0000B2H	Interrupt control register 02	ICR02	R/W		00000111
0000B3H	Interrupt control register 03	ICR03	R/W		00000111
0000B4H	Interrupt control register 04	ICR04	R/W		00000111
0000B5H	Interrupt control register 05	ICR05	R/W		00000111
0000B6H	Interrupt control register 06	ICR06	R/W		00000111
0000B7H	Interrupt control register 07	ICR07	R/W		00000111
0000B8H	Interrupt control register 08	ICR08	R/W		00000111
0000B9H	Interrupt control register 09	ICR09	R/W		00000111
0000BAH	Interrupt control register 10	ICR10	R/W		00000111
0000BBH	Interrupt control register 11	ICR11	R/W		00000111
0000BCH	Interrupt control register 12	ICR12	R/W		00000111
0000BDH	Interrupt control register 13	ICR13	R/W		00000111

(Continued)

(Continued)

Address	Register	Register name	Access	Resource name	Initial value
0000BE _H	Interrupt control register 14	ICR14	R/W	Interrupt controller	0 0 0 0 1 1 1
0000BF _H	Interrupt control register 15	ICR15	R/W		0 0 0 0 1 1 1
0000C0 _H to FF _H	Vacancy*				

* : Access prohibited.

Explanation of initial values

0: The initial value of this bit is "0".

1: The initial value of this bit is "1".

X: The initial value of this bit is undefined.

–: This bit is not used. No initial value is defined.

MB90620A Series

■ INTERRUPT SOURCES AND THEIR INTERRUPT VECTORS AND INTERRUPT CONTROL REGISTERS

Interrupt source	I ² OS support	Interrupt vector			Interrupt control register	
		No.	Address	Address	ICR	Address
Reset	×	#08	08 _H	FFFFDC _H	—	—
INT9 instruction	×	#09	09 _H	FFFFD8 _H	—	—
Exception	×	#10	0A _H	FFFFD4 _H	—	—
External interrupt #0	○	#11	0B _H	FFFFD0 _H	ICR00	0000B0 _H
External interrupt #1	○	#12	0C _H	FFFFCC _H		
External interrupt #2	○	#13	0D _H	FFFFC8 _H	ICR01	0000B1 _H
External interrupt #3	○	#14	0E _H	FFFFC4 _H		
External interrupt #4	○	#15	0F _H	FFFFC0 _H	ICR02	0000B2 _H
External interrupt #5	○	#16	10 _H	FFFFBC _H		
External interrupt #6	○	#17	11 _H	FFFFB8 _H	ICR03	0000B3 _H
External interrupt #7	○	#18	12 _H	FFFFB4 _H		
Extended serial I/O interface	○	#19	13 _H	FFFFB0 _H	ICR04	0000B4 _H
Free-run timer 0 overflow	○	#21	15 _H	FFFFA8 _H	ICR05	0000B5 _H
Free-run timer 1 overflow	○	#22	16 _H	FFFFA4 _H		
Free-run timer 0 and compare register 0 matched	○	#23	17 _H	FFFFA0 _H	ICR06	0000B6 _H
Free-run timer 0 and compare register 1 matched	○	#24	18 _H	FFFF9C _H		
Free-run timer 1 and compare register 0 matched	○	#25	19 _H	FFFF98 _H	ICR07	0000B7 _H
Free-run timer 1 and compare register 1 matched	○	#26	1A _H	FFFF94 _H		
PPG timer #0	○	#27	1B _H	FFFF90 _H	ICR08	0000B8 _H
PPG timer #1	○	#28	1C _H	FFFF8C _H		
16-bit reload timer #0	○	#29	1D _H	FFFF88 _H	ICR09	0000B9 _H
16-bit reload timer #1	○	#30	1E _H	FFFF84 _H		
16-bit reload timer #2	○	#31	1F _H	FFFF80 _H	ICR10	0000BA _H
A/D converter measurement complete	○	#33	21 _H	FFFF78 _H	ICR11	0000BB _H
Watch prescaler	×	#35	23 _H	FFFF70 _H	ICR12	0000BC _H
Timebase timer interval interrupt	×	#36	24 _H	FFFF6C _H		
UART 0 transmission complete	○	#37	25 _H	FFFF68 _H	ICR13	0000BD _H
UART 1 reception complete	◎	#39	27 _H	FFFF60 _H	ICR14	0000BE _H
Delayed interrupt generation module	×	#42	2A _H	FFFF54 _H	ICR15	0000BF _H

○: The request flag is cleared by the I²OS interrupt clear signal (without stop requests).

◎: The request flag is cleared by the I²OS interrupt clear signal (with stop requests).

×: The request flag is not cleared by the I²OS interrupt clear signal.

Note: Do not set I²OS startup in an ICR_{xx} that does not support I²OS.

■ PERIPHERALS

1. Parallel Ports

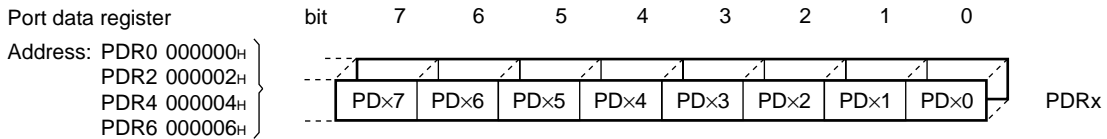
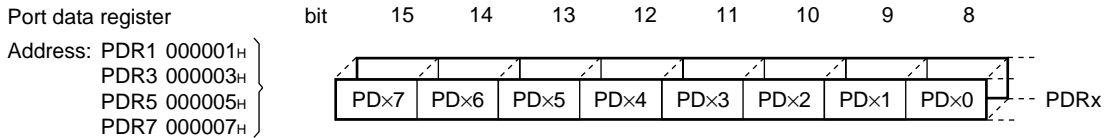
The MB90620A series has 59 input/output pins.

In the twenty four input/output ports mapped on port 0 to 2, pull-up resistors are selectively added during input state operations depending on the settings in the resistor setting register.

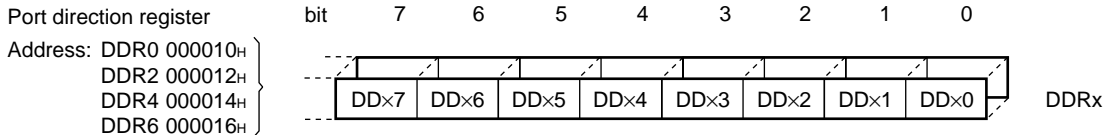
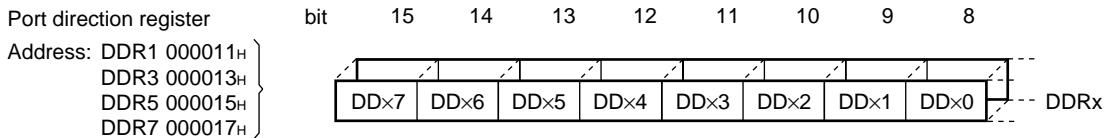
P45, P46, port 6 and port 7 are open-drain ports.

Port 6 and port 7 are combined with the LCD segment pin function.

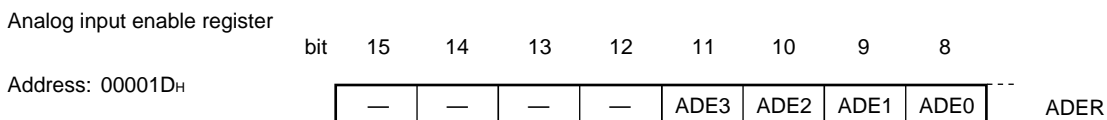
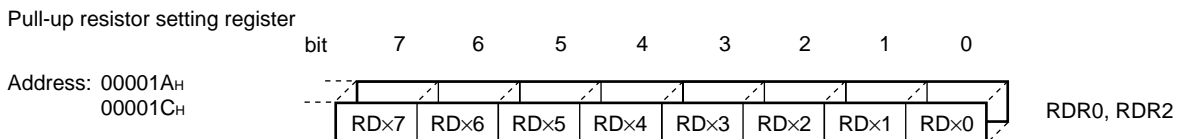
(1) Register configuration



Notes: Bit 7 of port 4 does not have a register bit.
Bit 4 to bit 7 of port 5 does not have a register bit.



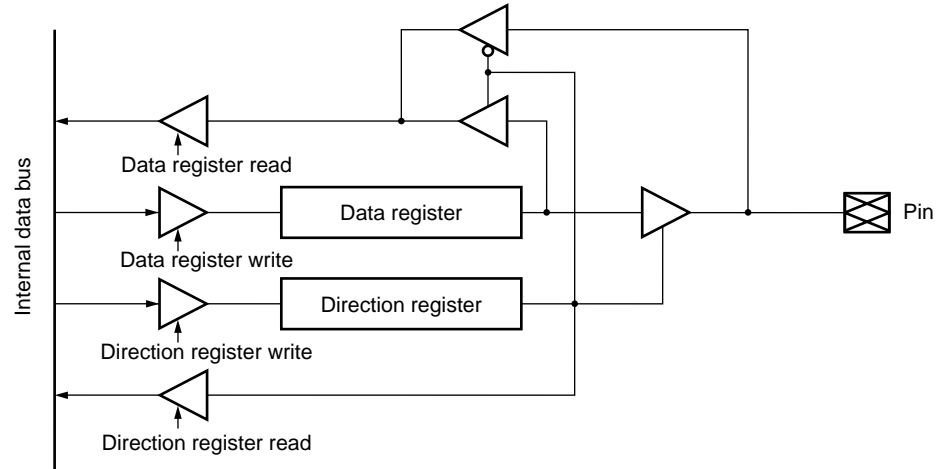
Notes: Bit 7 of port 4 does not have a register bit.
Bit 4 to bit 7 of port 5 does not have a register bit.



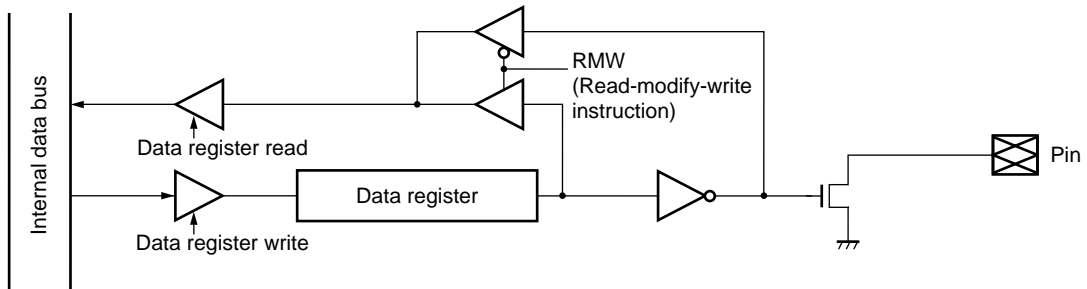
MB90620A Series

(2) Block Diagram

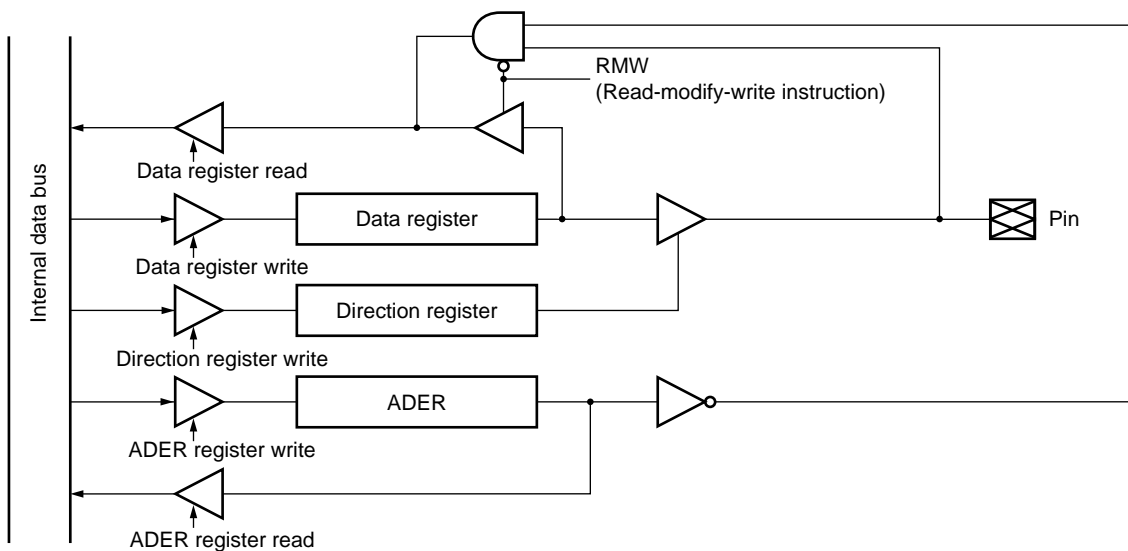
- I/O Port



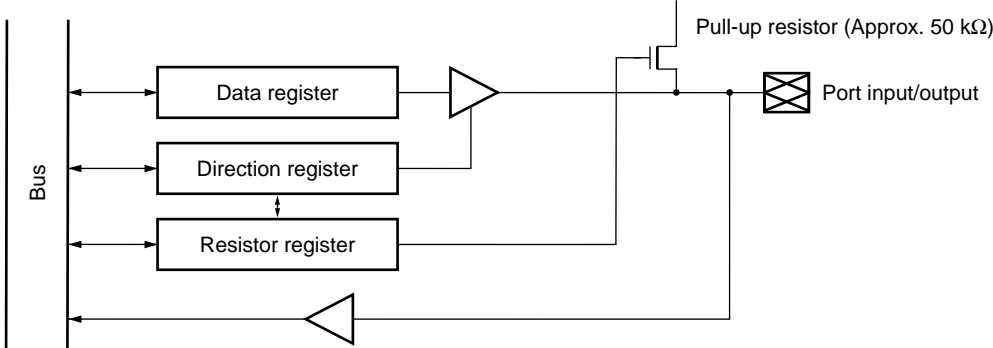
- Open-drain Port



- Port combined with the A/D converter functions



- Port with a pull-up resistor option



MB90620A Series

2. UART

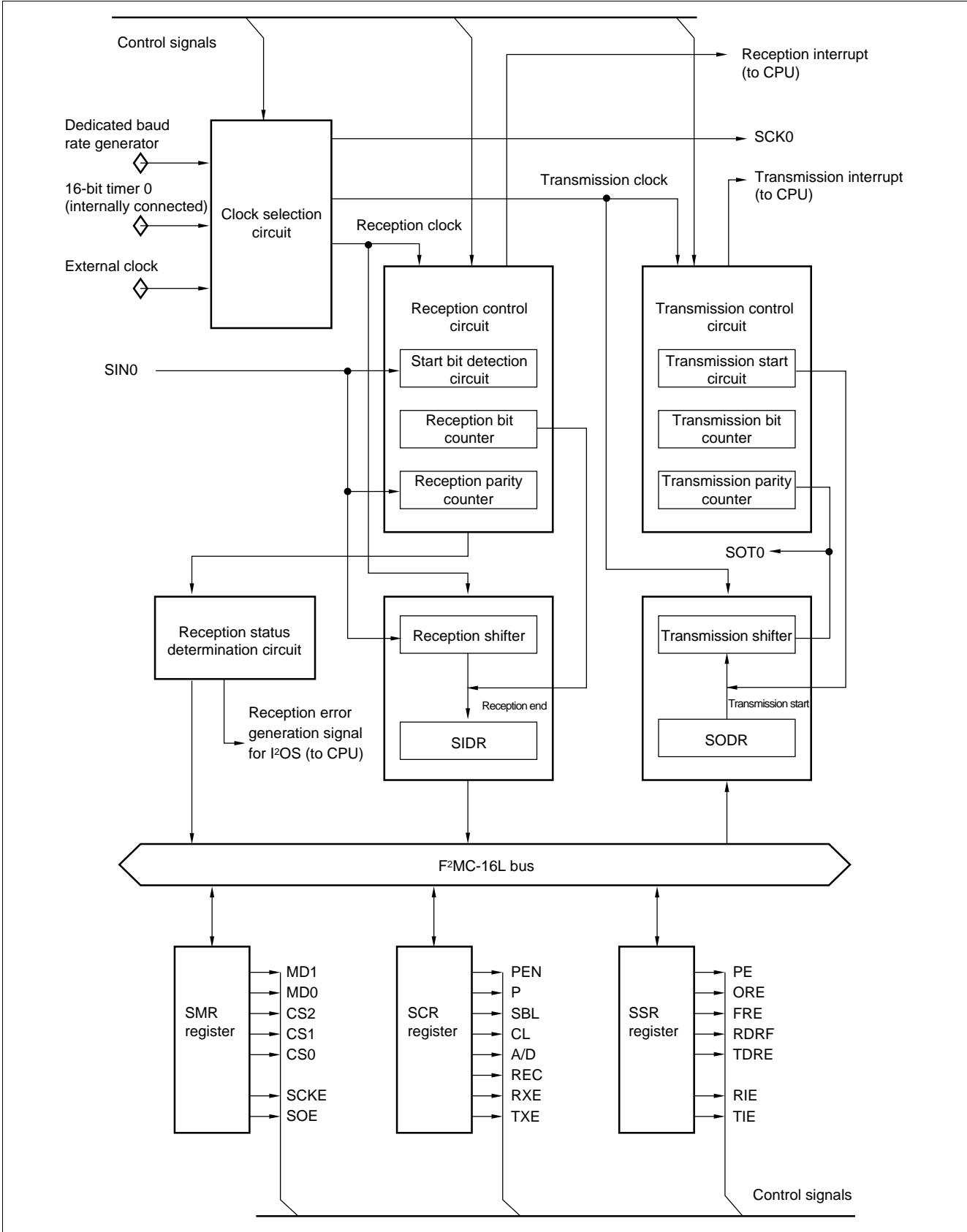
The UART is a serial I/O port for CLK asynchronous (start-stop synchronization) communications or for CLK synchronous communications. The features of this module are described below:

- Full-duplex double buffer
- CLK asynchronous (start-stop synchronization) communications and CLK synchronous communications capable
- Supports multiprocessor mode
- Built-in dedicated baud rate generator
 - CLK asynchronous: 9615, 31250, 4808, 2404, 1202 bps
 - CLK synchronous: 1 M, 500K, 250K, 125K, 62.5K bps
 } For a 6, 8, 10, 12, or 16 MHz clock.
- Permits setting of any desired baud rate according to an external clock input
- Error detection function (parity errors, framing errors, and overrun errors)
- NRZ code as transfer signal
- Supports Intelligent I/O Service

(1) Register Configuration

Address: 000020H	bit 7 6 5 4 3 2 1 0	<table border="1"> <tr> <td>MD1</td> <td>MD0</td> <td>CS2</td> <td>CS1</td> <td>CS0</td> <td>Reserved</td> <td>SCKE</td> <td>SOE</td> </tr> </table>	MD1	MD0	CS2	CS1	CS0	Reserved	SCKE	SOE	Serial mode register (SMR)
MD1	MD0	CS2	CS1	CS0	Reserved	SCKE	SOE				
Address: 000021H	bit 15 14 13 12 11 10 9 8	<table border="1"> <tr> <td>PEN</td> <td>P</td> <td>SBL</td> <td>CL</td> <td>A/D</td> <td>REC</td> <td>RXE</td> <td>TXE</td> </tr> </table>	PEN	P	SBL	CL	A/D	REC	RXE	TXE	Serial control register (SCR)
PEN	P	SBL	CL	A/D	REC	RXE	TXE				
Address: 000022H	bit 7 6 5 4 3 2 1 0	<table border="1"> <tr> <td>D7</td> <td>D6</td> <td>D5</td> <td>D4</td> <td>D3</td> <td>D2</td> <td>D1</td> <td>D0</td> </tr> </table>	D7	D6	D5	D4	D3	D2	D1	D0	Serial input register Serial output register (SIDR/SODR)
D7	D6	D5	D4	D3	D2	D1	D0				
Address: 000023H	bit 15 14 13 12 11 10 9 8	<table border="1"> <tr> <td>PE</td> <td>OPE</td> <td>FRE</td> <td>RDRF</td> <td>TDRE</td> <td>—</td> <td>RIE</td> <td>TIE</td> </tr> </table>	PE	OPE	FRE	RDRF	TDRE	—	RIE	TIE	Serial status register (SSR)
PE	OPE	FRE	RDRF	TDRE	—	RIE	TIE				
Address: 000027H	bit 15 14 13 12 11 10 9 8	<table border="1"> <tr> <td>MD</td> <td>—</td> <td>—</td> <td>—</td> <td>DIV3</td> <td>DIV2</td> <td>DIV1</td> <td>DIV0</td> </tr> </table>	MD	—	—	—	DIV3	DIV2	DIV1	DIV0	Communication prescaler control register (CDCR)
MD	—	—	—	DIV3	DIV2	DIV1	DIV0				

(2) Block Diagram



MB90620A Series

3. Extended Serial I/O Interface

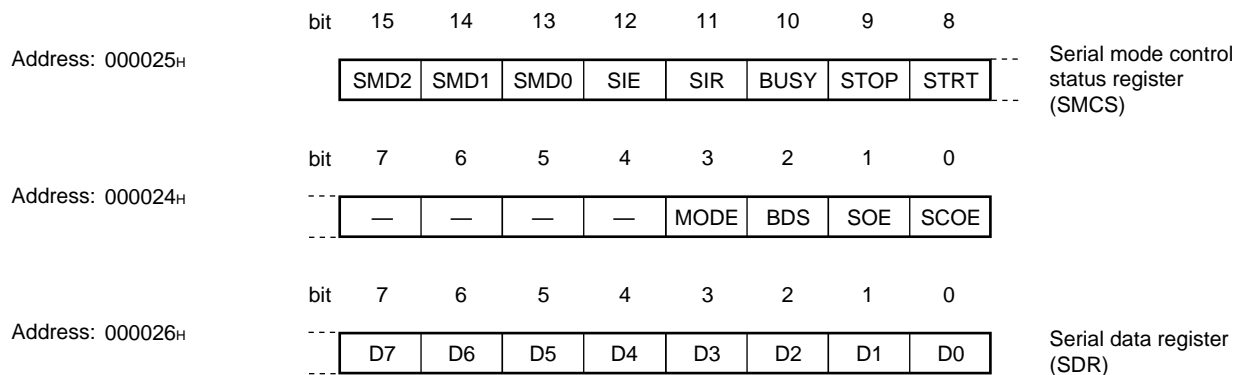
This block consists of an 8-bit serial I/O interface that can perform clock synchronous data transfer. Either LSB-first or MSB-first data transfer can be selected. The serial I/O port to be used can also be selected.

The following two serial I/O operation modes are available.

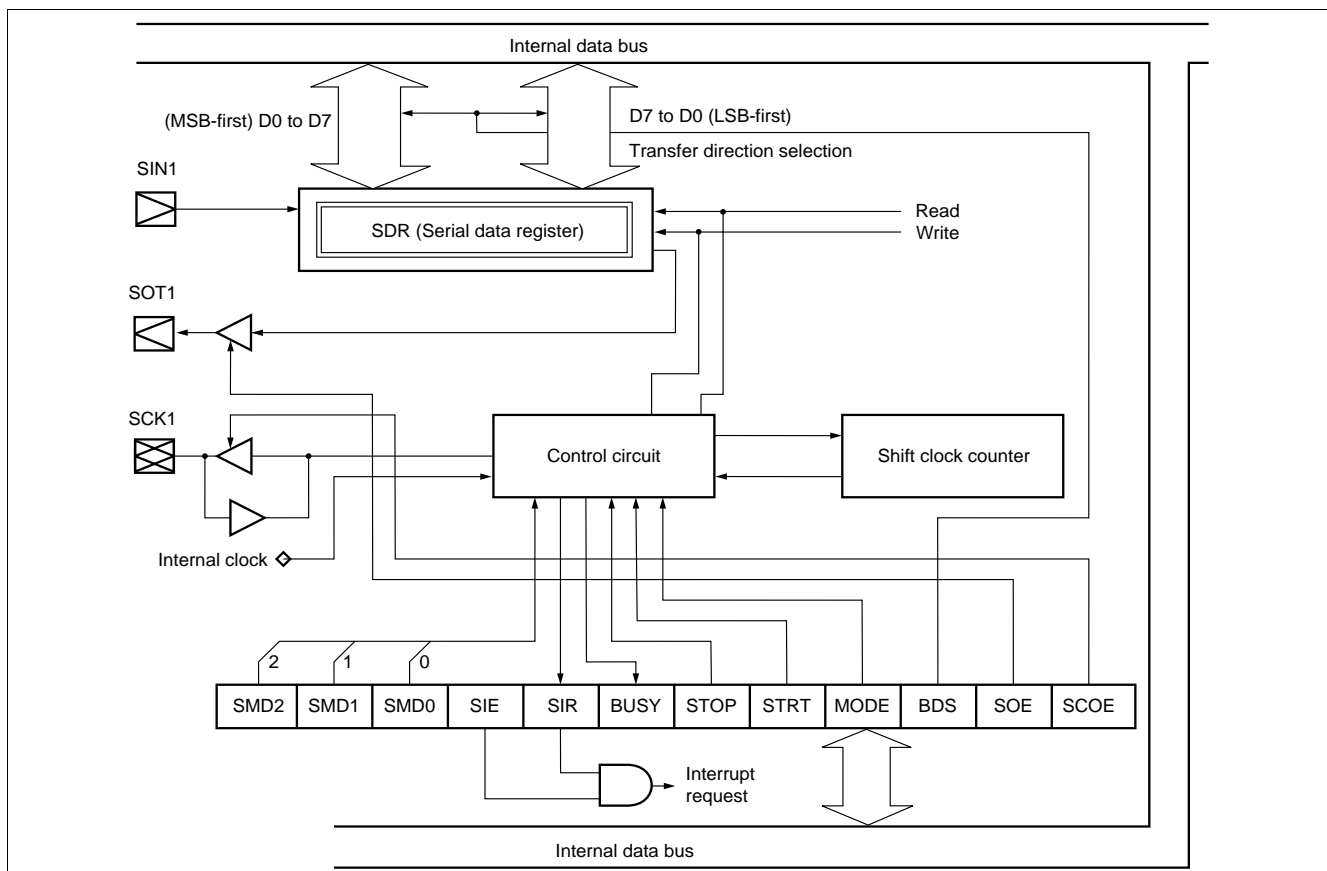
Internal shift clock mode: Data transfer is synchronization with the internal clock.

External shift clock mode: Data transfer is synchronization with the clock input from the external pin (SCK1). By manipulating the general-purpose port that shares the external pin (SCK1), this mode also enables the data transfer operation to be driven by CPU instructions.

(1) Register Configuration



(2) Block Diagram

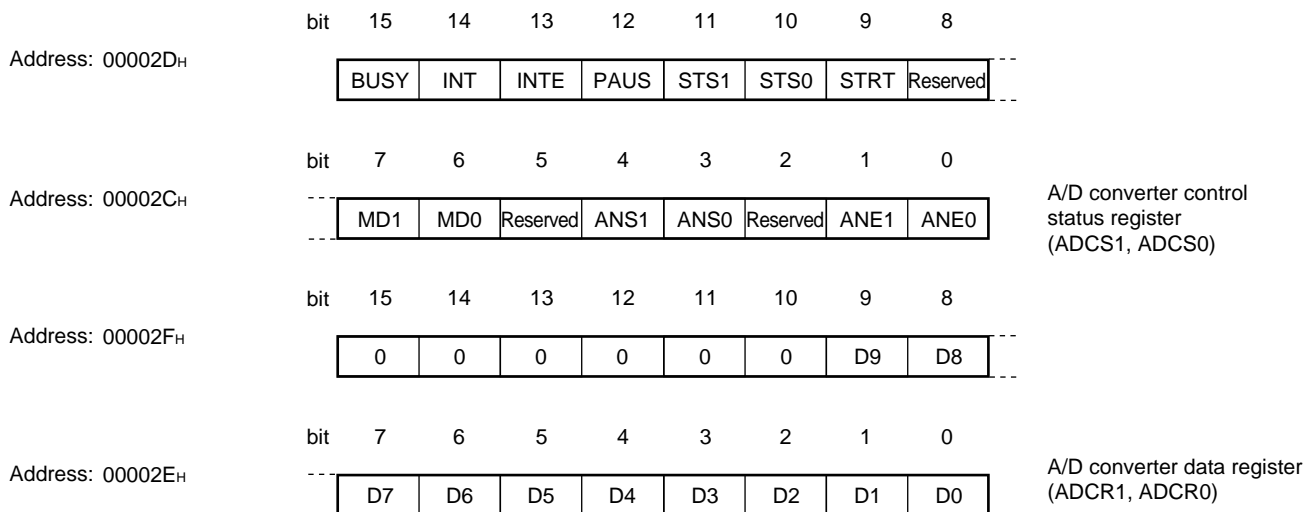


4. A/D Converter

The A/D converter converts the analog input voltage into a digital value. The features of this module are as follows:

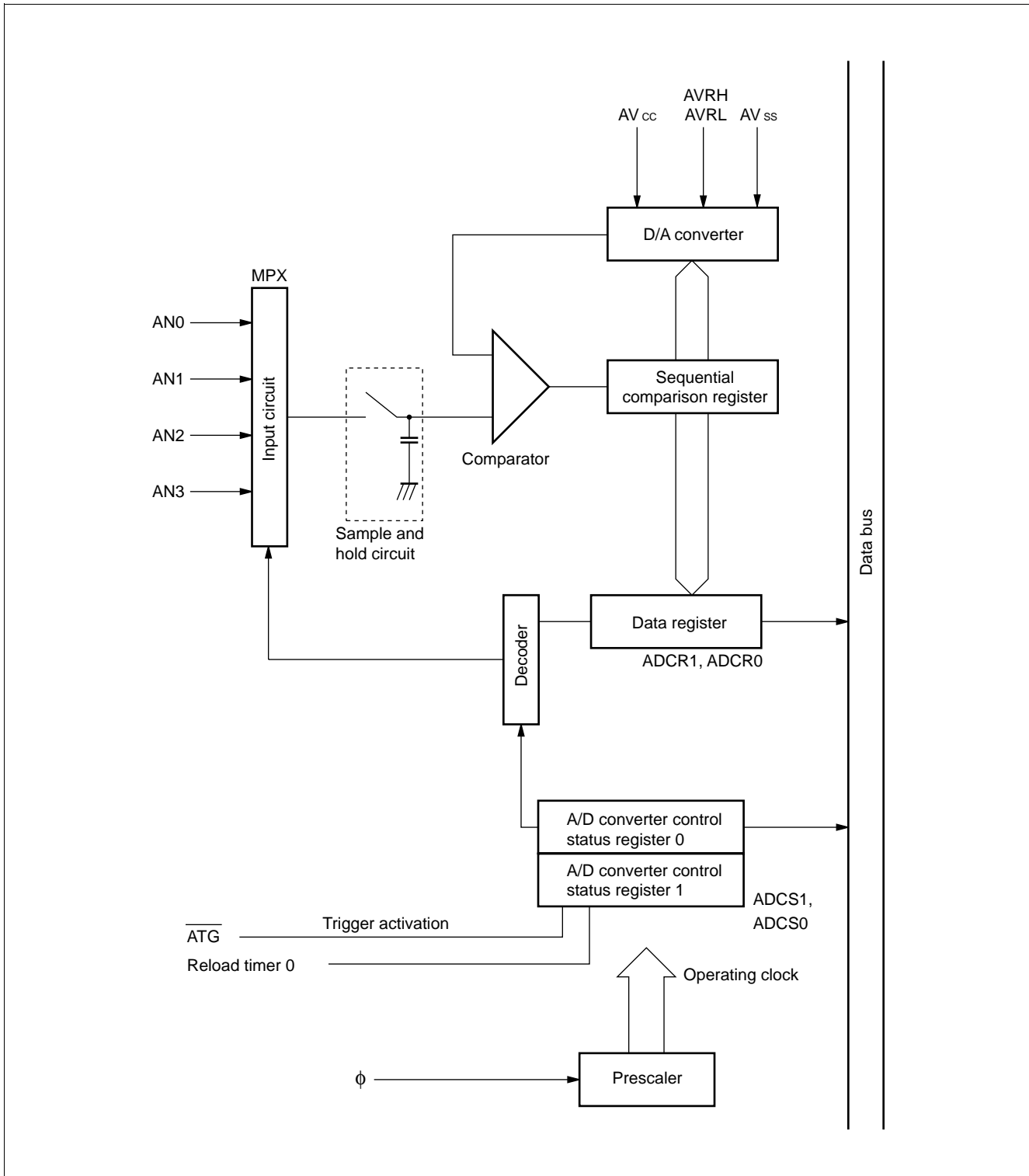
- Conversion time: Minimum of 7 μ s per channel (12 MHz machine clock)
- RC-type successive approximation conversion method with sample and hold circuit
- 8-bit/10-bit resolution
- Analog input is selectable by software from among 4 channels
- A/D conversion mode selectable from the following three:
 - One-shot conversion mode: Converts a specified channel once.
 - Continuous conversion mode: Converts a specified channel repeatedly.
 - Stop conversion mode: Pauses after converting one channel and wait until the next activation (permits synchronization of start of conversion).
- Conversion mode:
 - Single-conversion mode: Converts one channel (when the start and stop channels are the same).
 - Scan conversion mode: Converts several consecutive channels (when the start and stop channels are different).
- When A/D conversion is completed, an "A/D conversion complete" interrupt request can be issued to the CPU. Because generating this interrupt can be used to activate the I²O/S and transfer the A/D conversion results to memory, this function is suitable for continuous processing.
- Activation sources can be selected from among software, an external trigger (falling edge), and timer (rising edge).

(1) Register Configuration



MB90620A Series

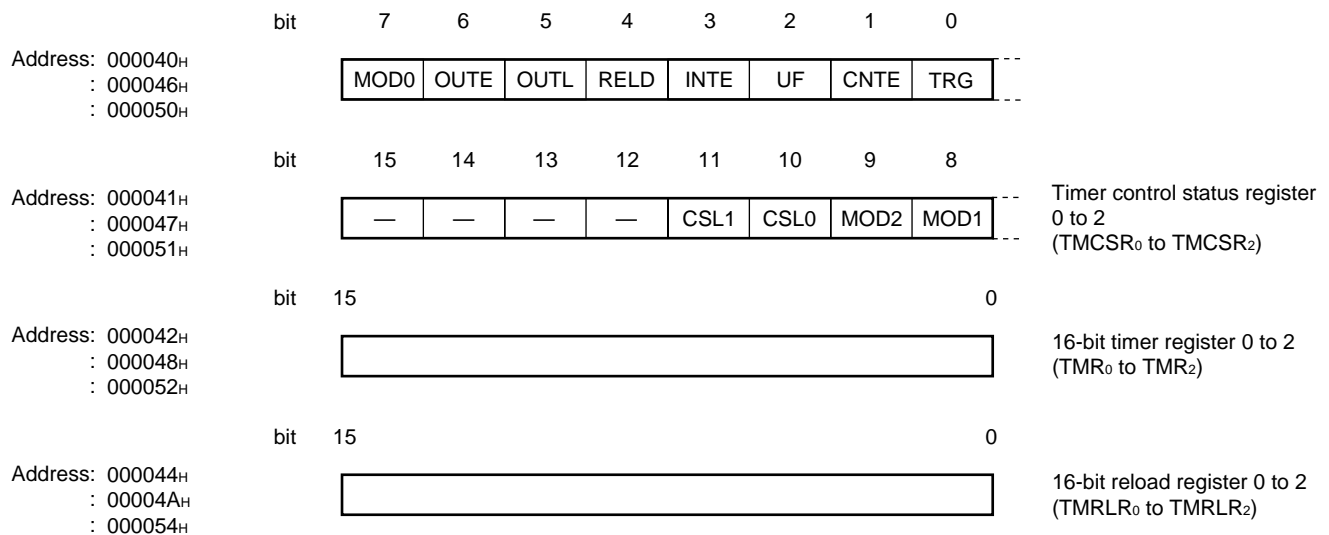
(2) Block Diagram



5. 16-bit Timer (with Event Count Function)

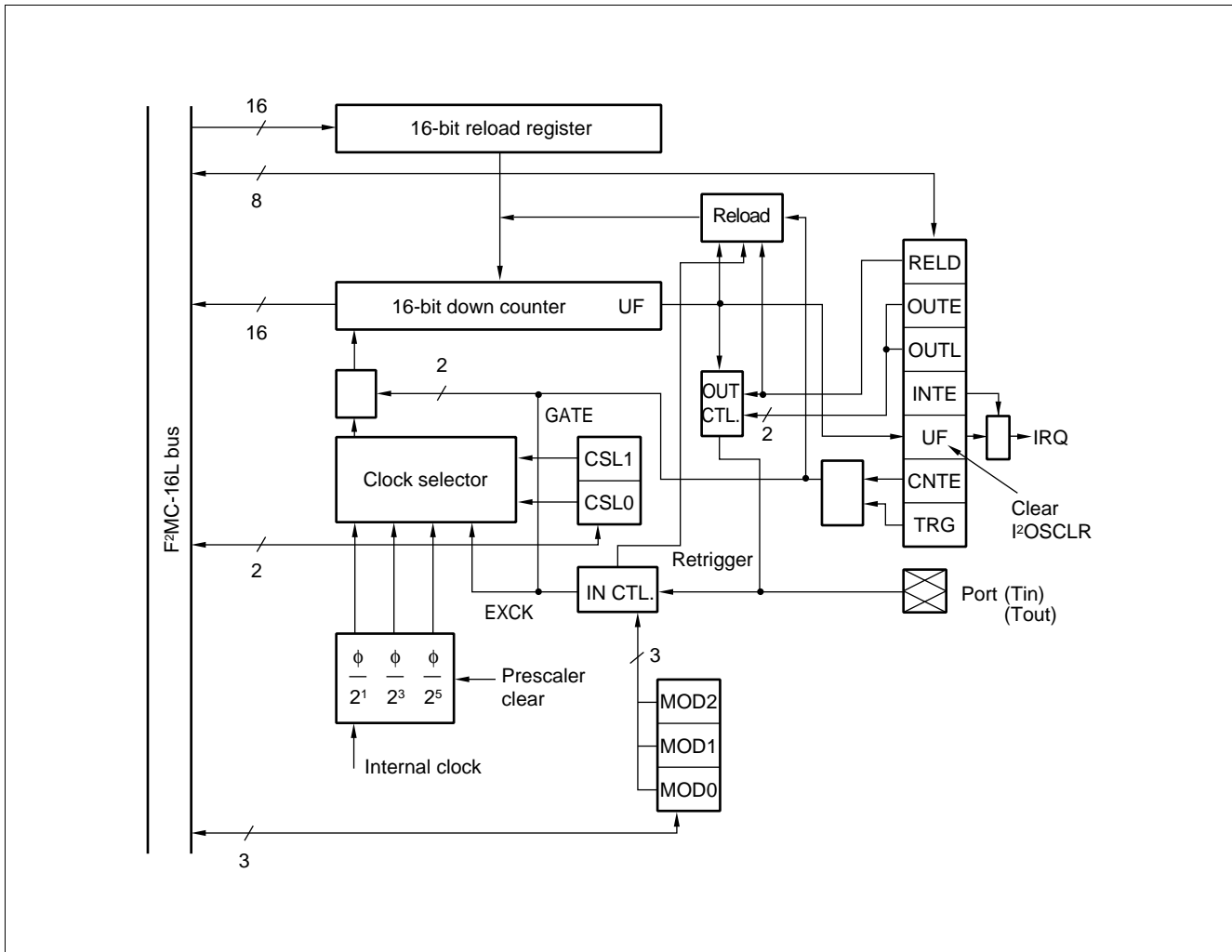
The 16-bit timer consists of a 16-bit down counter, a 16-bit reload register, one input and output pin (TIN_x,TOT_x), and a control register. Three internal clocks and an external clock can be selected for the input clock. When in reload mode, a toggled output waveform is output, while in one-shot mode a square wave indicating that the count is in progress is output pin (TOT_x). The input pin (TIN_x) serves as an event input in event count mode, and can be used for trigger input or gate input in internal clock mode.

(1) Register Configuration



MB90620A Series

(2) Block Diagram



6. 16-bit Free-run Timer

The 16-bit free-run timer consists of a 16-bit up counter, a control status register, and a compare register.

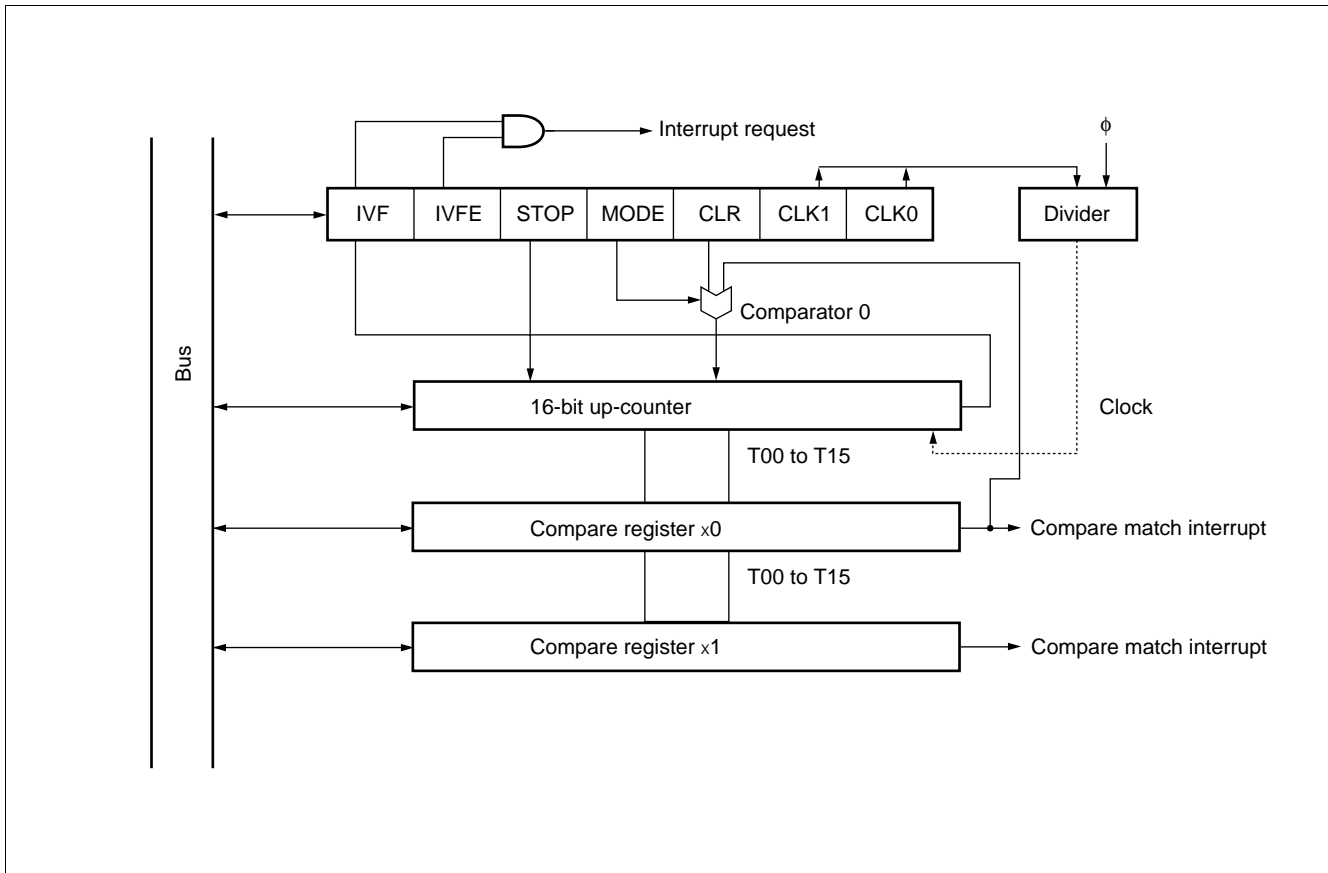
- Count clock is selectable from 4 types.
- A counter over flow interrupt can be generated.
- An interrupt can be generated on matching with the compare register value.
- Initialization of the counter on matching with compare register 0 value is enabled depending on the mode settings.

(1) Register Configuration

Address: 000056H : 000060H	bit 15 14 13 12 11 10 9 8	T15 T14 T13 T12 T11 T10 T09 T08	Timer data register 0, 1 (TCDT0, TCDT1)
	bit 7 6 5 4 3 2 1 0	T07 T06 T05 T04 T03 T02 T01 T00	
Address: 000059H : 000063H	bit 15 14 13 12 11 10 9 8	ICP1 ICP0 ICE1 ICE0 — — CST1 CST0	Compare control status 0, 1 register (CCS0, CCS1)
	bit 7 6 5 4 3 2 1 0	Reserved IVF IVFE STOP MODE CLR CLK1 CLK0	
Address: 000058H : 000062H	bit 15 14 13 12 11 10 9 8	C15 C14 C13 C12 C11 C10 C09 C08	Timer 0, 1 compare register (TCR00, TCR01/ TCR10, TCR11)
	bit 7 6 5 4 3 2 1 0	C07 C06 C05 C04 C03 C02 C01 C00	

MB90620A Series

(2) Block Diagram



7. 16-bit PPG Timer

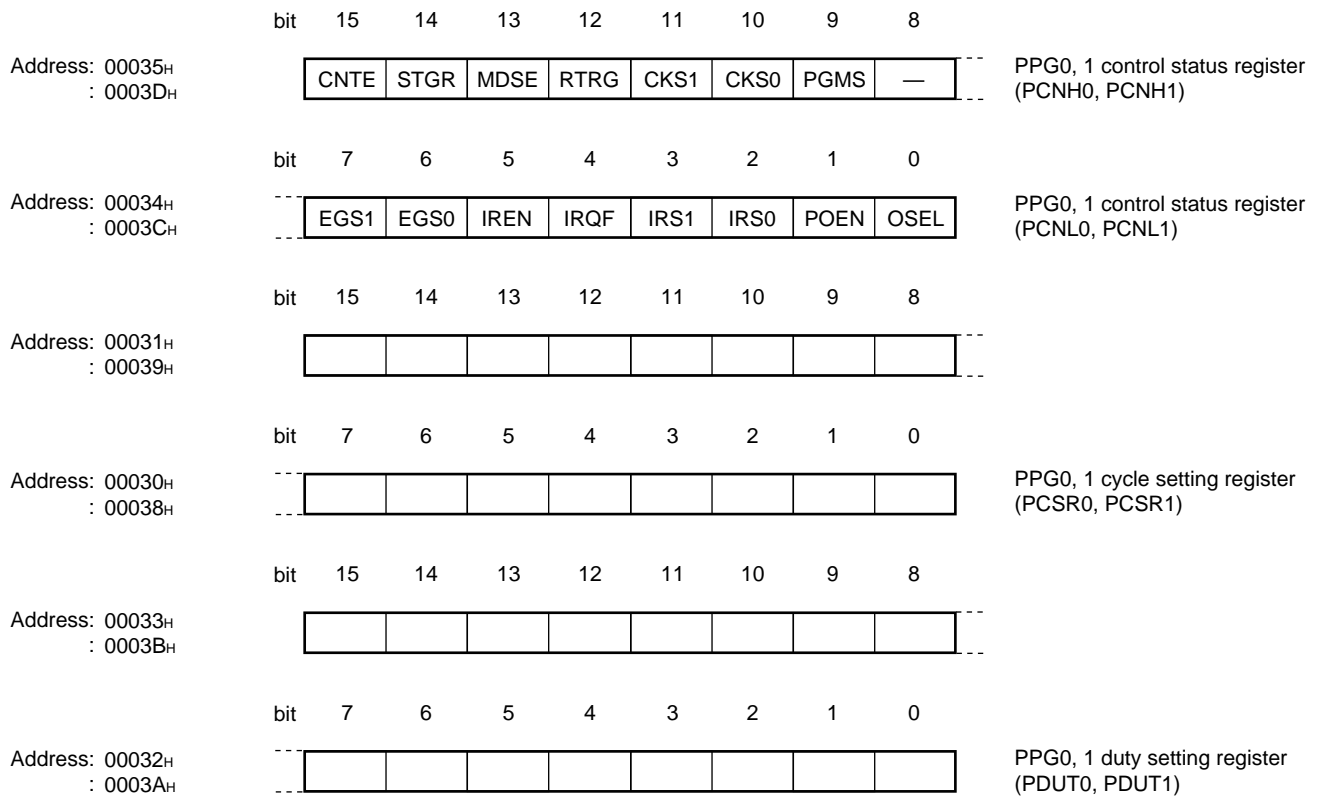
This module can output a pulse synchronized with an external trigger or a software trigger. In addition, the cycle and duty ratio of the output pulse can be changed as desired by overwriting the two 16-bit register values.

PWM function: Synchronizes pulse with trigger, and permits programming of the pulse output by overwriting the register values mentioned above.

This function permits use as a D/A converter with the addition of external circuits.

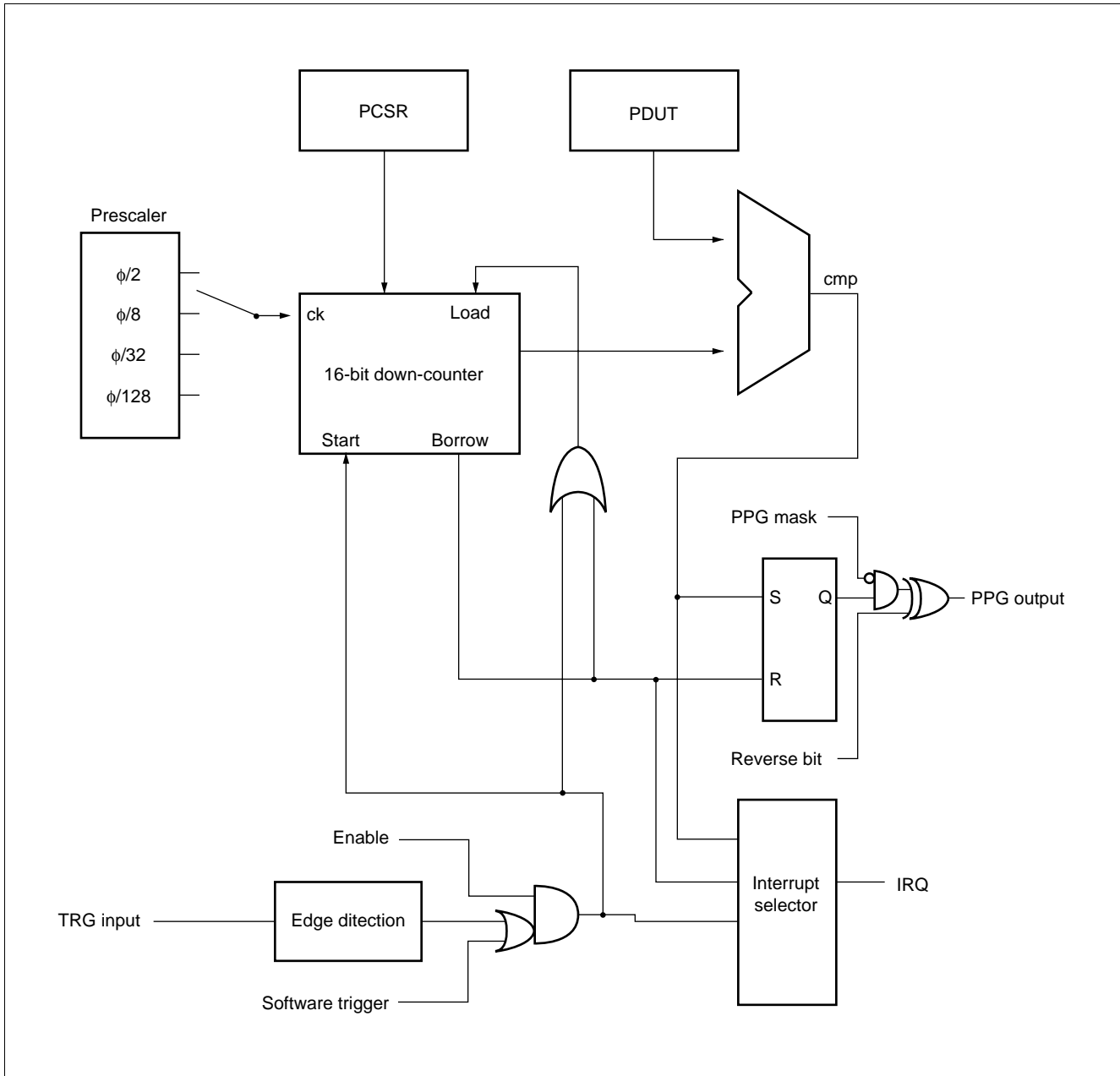
One-shot function: Detects the edge of trigger input, and permits single-pulse output.

(1) Register Configuration



MB90620A Series

(2) Block Diagram



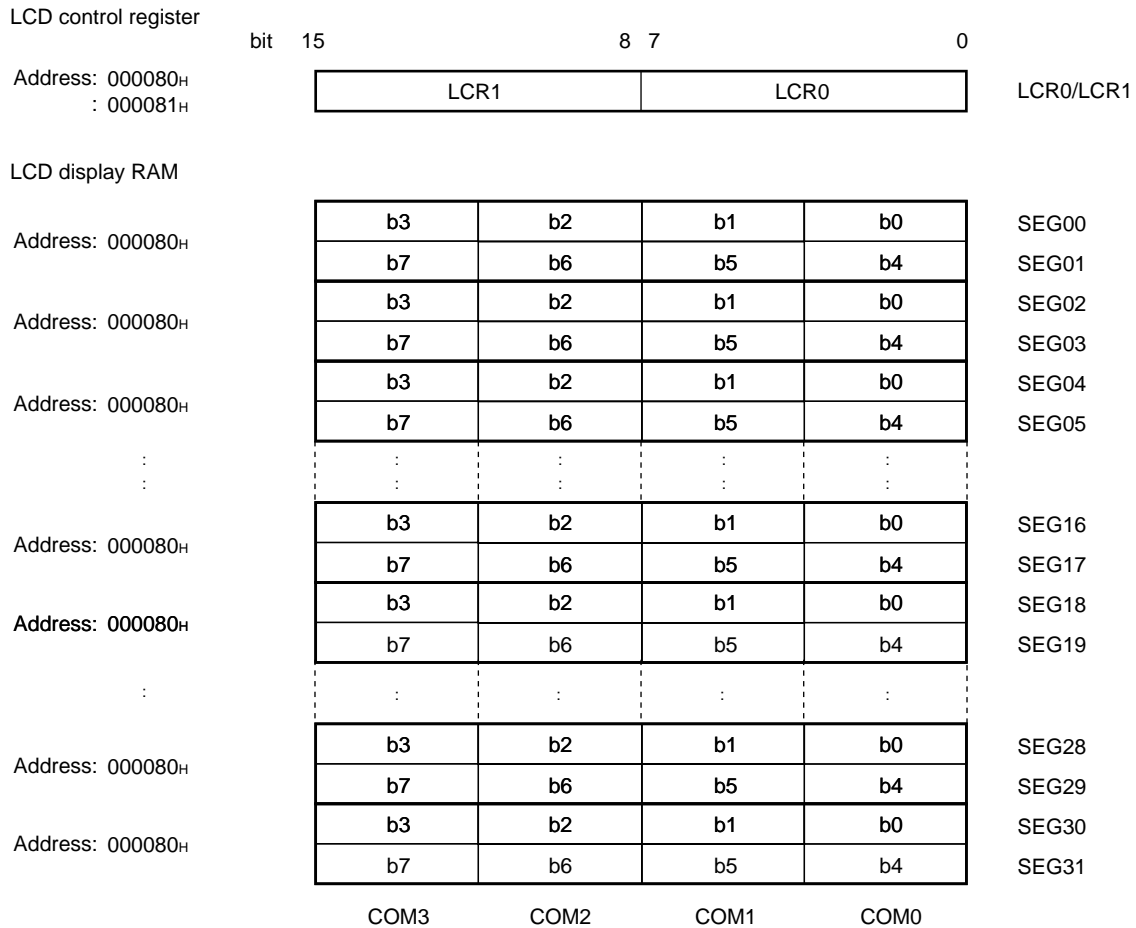
8. LCD Controller/driver

The LCD controller driver consists of the display controller for generating the segment signal and common signal according to data set in the display data memory, the segment driver and the common driver capable of directly driving the LCD panel (Liquid Crystal Display).

Primary functions are as follows;

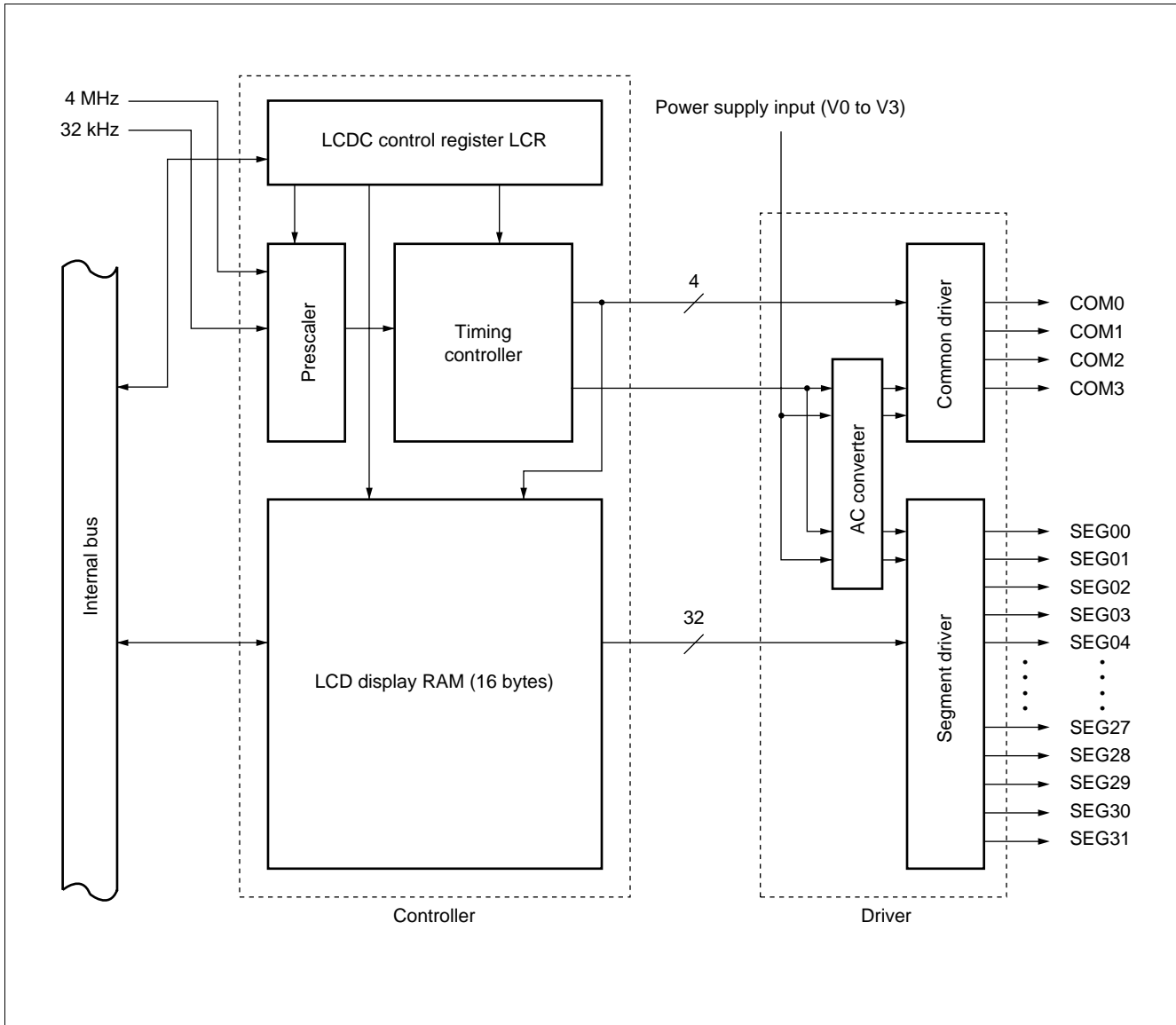
- LCD direct drive function
- Common output 4 channels (COM0 to COM3), segment output 32 channels (SEG0 to SEG31)
- Built-in 16 bytes of data memory for display
- Duty ratio selective from 1/2, 1/3 and 1/4
- Driving clock source selective from the main clock (4 MHz) and the sub clock (32 kHz)
- SEG 16 to SEG 31 can be used as open-drain ports.

(1) Register Configuration



MB90620A Series

(2) Block Diagram

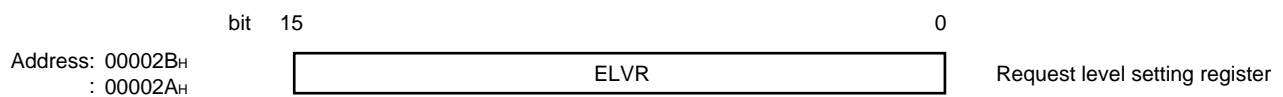
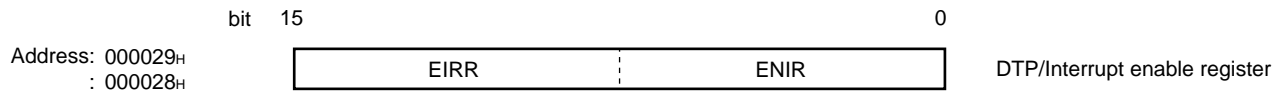


9. DTP/External Interrupt

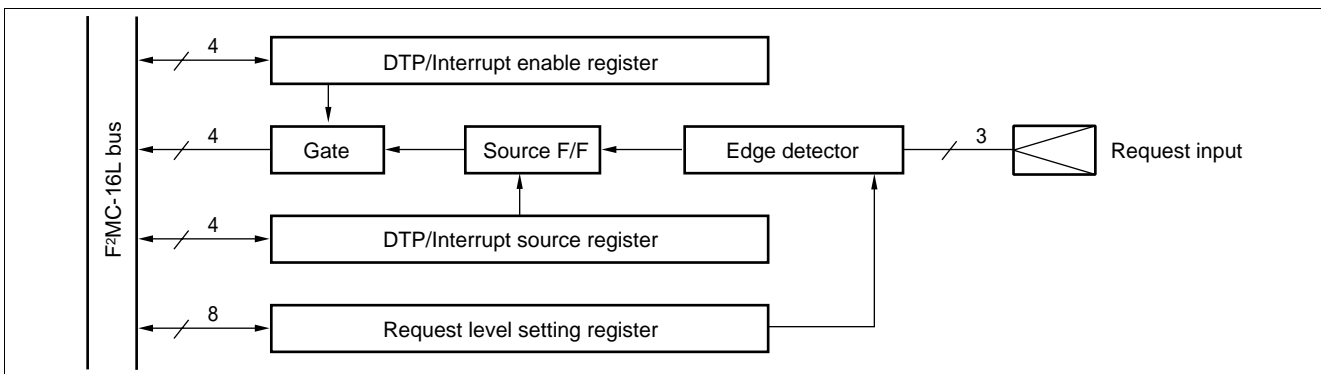
The DTP (Data Transfer Peripheral) is a peripheral, positioned between peripherals external to the device and the F²MC-16L CPU, that accepts DMA requests or interrupt requests generated by external peripherals and transfers them to the F²MC-16L CPU to activate the Intelligent I/O Service or interrupt processing.

In the case of the Intelligent I/O Service, there are two request levels that can be selected: high and low; in the case of an external interrupt request, there are a total of four request levels that can be selected: high, low, rising edge and falling edge.

(1) Register Configuration



(2) Block Diagram



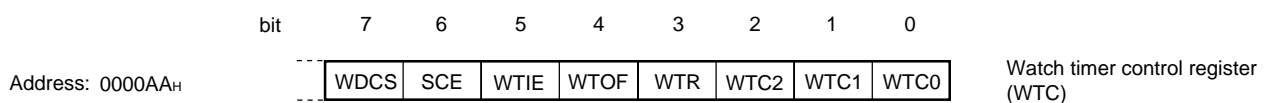
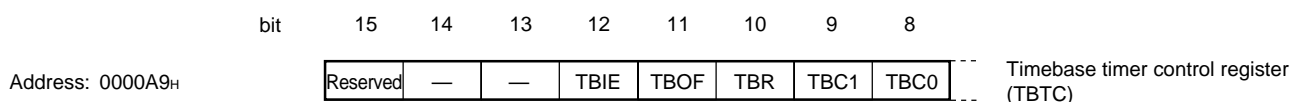
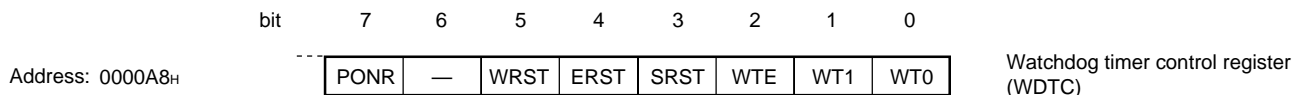
10. Watchdog Timer, Timebase Timer, and Watch Timer Functions

The watchdog timer consists of a 2-bit watchdog counter that uses the carry signal from the 18-bit timebase timer or the 15-bit watch timer as a clock source, a control register, and a watchdog reset controller.

The timebase timer consists of an 18-bit timer and a circuit that controls interval interrupts. Note that the timebase timer uses the main clock, regardless of the setting of the MCS bit and SCS bit in CKSCR.

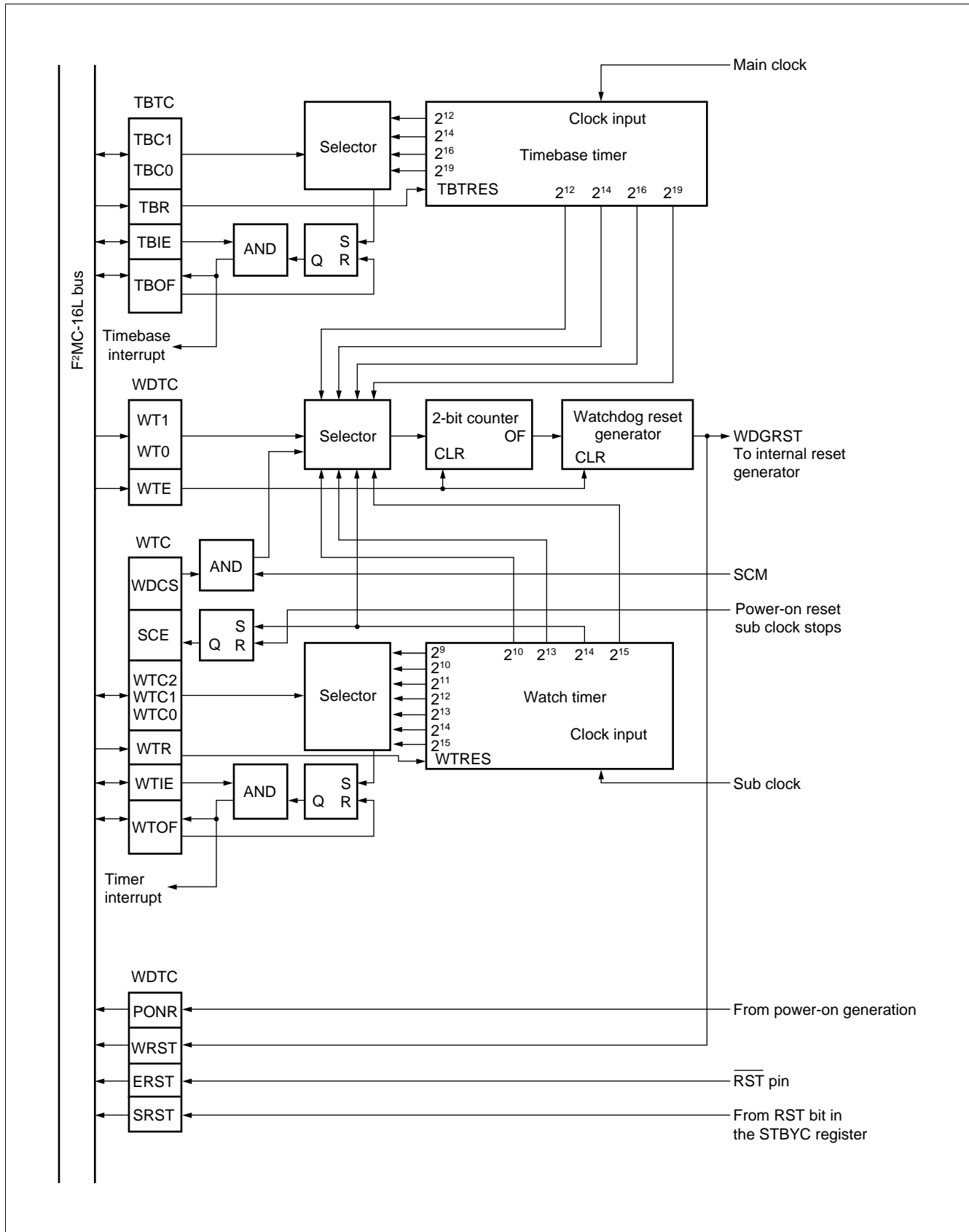
The watch timer consists of a 15-bit timer and a circuit that controls interval interrupts. Note that the watch timer uses the sub clock, regardless of the setting of the MCS bit and SCS bit in CKSCR.

(1) Register Configuration



MB90620A Series

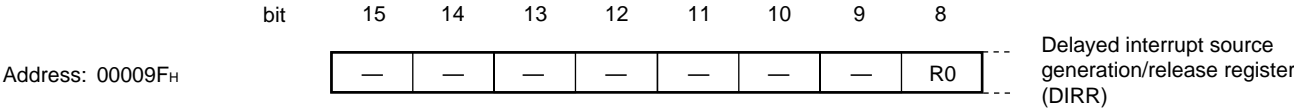
(2) Block Diagram



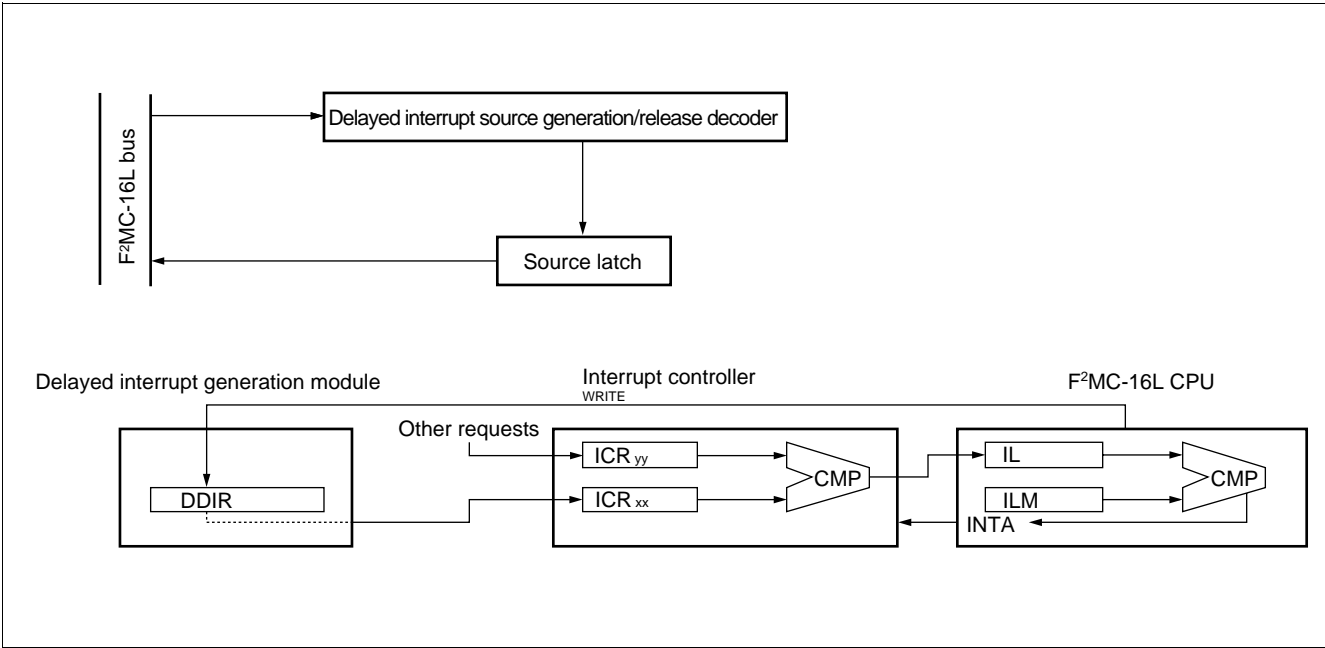
11. Delayed Interrupt Generation Module

The delayed interrupt generation module generates task switching interrupts. This module can be used to generate/cancel interrupt requests to the F²MC-16L CPU by software.

(1) Register Configuration



(2) Block Diagram



MB90620A Series

12. Low-power Consumption Controller (CPU Intermittent Operation Function, Oscillation Stabilization Delay Time, Clock Multiplier Function)

The following are the operating modes: PLL clock mode, PLL sleep mode, PLL watch mode, Pseudo-watch mode, main clock mode, main sleep mode, main watch mode, main stop mode, sub clock mode, sub sleep mode, sub watch mode, sub stop mode, and hardware standby mode. Aside from the PLL clock mode, all of the other operating modes are low-power consumption modes.

In main clock mode and main sleep mode, the main clock (main OSC oscillation clock) and the sub clock (sub OSC oscillation clock) operate. In these modes, the main clock divided by 2 is used as the operation clock, the sub clock (sub OSC oscillation clock) is used as the timer clock, and the PLL clock (VCO oscillation clock) is stopped.

In sub clock mode and sub sleep mode, only the sub clock operates. In these modes, the sub clock is used as the operation clock, and the main clock and PLL clock are stopped.

In PLL sleep mode and main sleep mode, only the CPU's operation clock is stopped; all clocks other than the CPU clock operate.

In Pseudo-watch mode, only the watch timer and timebase timer operate.

In PLL watch mode, main watch mode, and sub watch mode, only the watch timer operates. In this mode, only the sub clock is used for operation, while the main clock and the PLL clock are stopped (the difference between the PLL watch mode, the main watch mode and the sub watch mode is that it resumes operation after an interrupt in the PLL clock mode, the main clock modes and the sub clock mode respectively, and there is no difference in the watch mode).

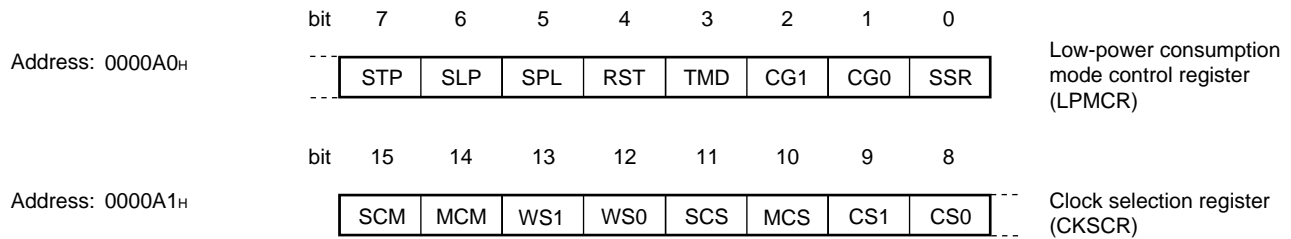
The main stop mode, sub stop mode, and hardware standby mode stop oscillation, making it possible to retain data while consuming the least amount of power. (The difference between the main stop mode and the sub stop mode is that it resumes operation in the main clock mode and the sub clock mode respectively, and there is no difference in the stop mode.)

The CPU intermittent operation function intermittently runs the clock supplied to the CPU when accessing registers, on-chip memory, on-chip resources, and the external bus. Processing is possible with lower power consumption by reducing the execution speed of the CPU while supplying a high-speed clock and using on-chip resources.

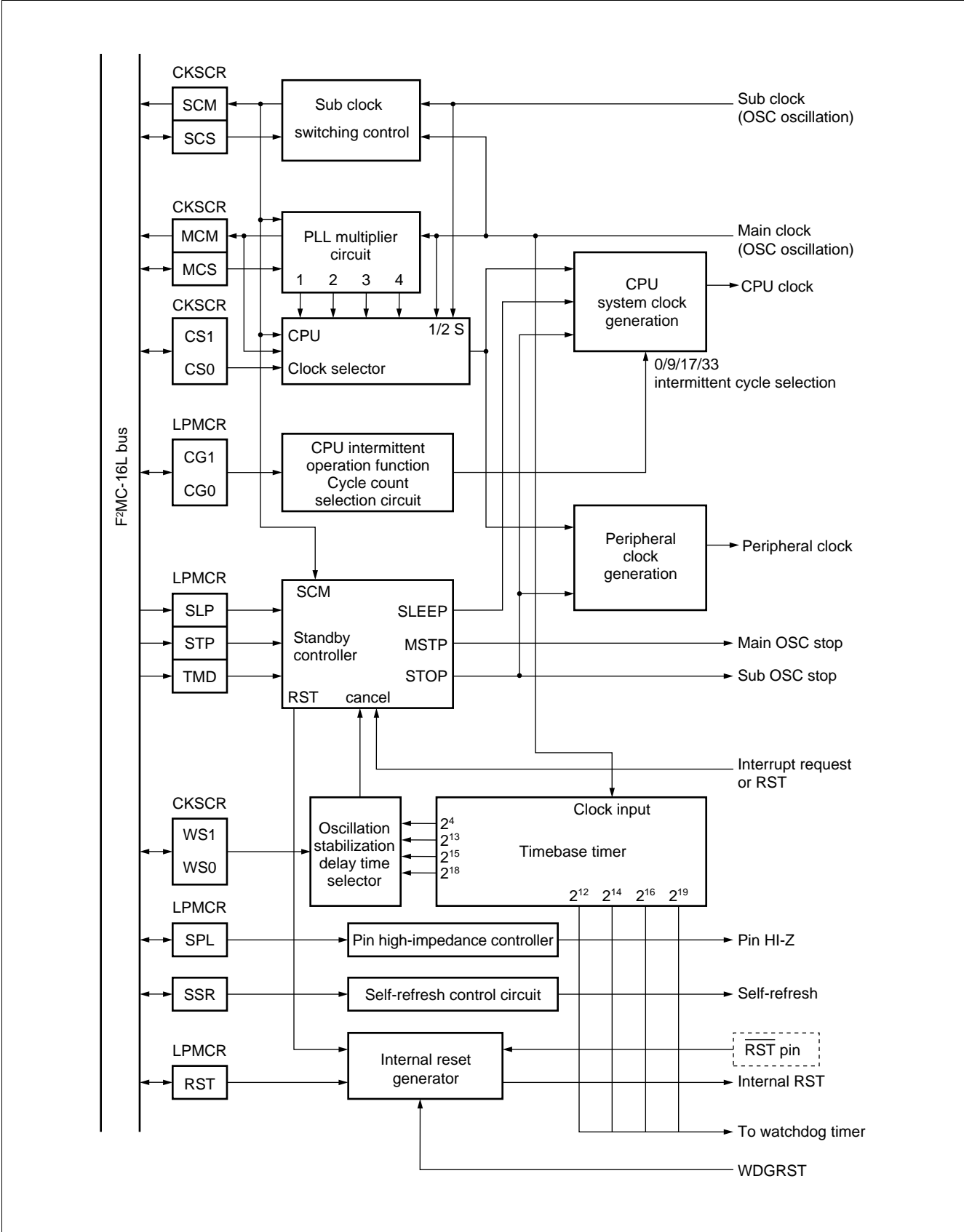
The PLL clock multiplier can be selected as either 2, 4, 6, or 8 by setting the CS1 and CS0 bits. These clocks are divided by 2 to be used as a machine clock.

The WS1 and WS0 bits can be used to set the main clock oscillation stabilization delay time for when stop mode and hardware standby mode are woken up.

(1) Register Configuration



(2) Block Diagram



MB90620A Series

■ ELECTRICAL CHARACTERISTICS

1. Absolute Maximum Ratings

($V_{SS} = AV_{SS} = 0.0\text{ V}$)

Parameter	Symbol	Value		Unit	Remarks
		Min.	Max.		
Power supply voltage	V_{CC}	$V_{SS} - 0.3$	$V_{SS} + 7.0$	V	
	AV_{CC}^{*1}	$V_{SS} - 0.3$	$V_{SS} + 7.0$	V	
	$AVRH^{*1}$ $AVRL$	$V_{SS} - 0.3$	$V_{SS} + 7.0$	V	
Input voltage ^{*2}	V_I	$V_{SS} - 0.3$	$V_{CC} + 0.3$	V	
Output voltage ^{*2}	V_O	$V_{SS} - 0.3$	$V_{CC} + 0.3$	V	
“L” level output current	I_{OL}	—	15	mA	
“L” level total output current	ΣI_{OL}	—	50	mA	
“H” level output current	I_{OH}	—	-4	mA	
“H” level total output current	ΣI_{OH}	—	-48	mA	
Power consumption	P_d	—	+400	mW	
Operating temperature	T_A	-40	+85	°C	
Storage temperature	T_{STG}	-55	+150	°C	

*1: AV_{CC} , $AVRH$ and $AVRL$ must not exceed V_{CC} . In addition, $AVRL$ must not exceed $AVRH$.

*2: V_I or V_O must not exceed $V_{CC} + 0.3\text{ V}$.

WARNING: Semiconductor devices can be permanently damaged by application of stress (voltage, current, temperature, etc.) in excess of absolute maximum ratings. Do not exceed these ratings.

2. Recommended Operating Conditions

($V_{SS} = AV_{SS} = 0.0\text{ V}$)

Parameter	Symbol	Value		Unit	Remarks
		Min.	Max.		
Power supply voltage	V_{CC}	4.0	5.5	V	Normal operation
		2.7	5.5	V	Maintaining the stop status
“H” level input voltage	V_{IH}	$0.7 V_{CC}$	$V_{SS} + 0.3$	V	Except V_{IHS}
	V_{IHS}	$0.8 V_{CC}$	$V_{SS} + 0.3$	V	Hysteresis inputs
“L” level input voltage	V_{IL}	$V_{SS} - 0.3$	0.8	V	Except V_{ILS}
	V_{ILS}	$V_{SS} - 0.3$	$0.2 V_{CC}$	V	Hysteresis inputs
Operating temperature	T_A	-40	+85	°C	

WARNING: Recommended operating conditions are normal operating ranges for the semiconductor device. All the device’s electrical characteristics are warranted when operated within these ranges.

Always use semiconductor devices within the recommended operating conditions. Operation outside these ranges may adversely affect reliability and could result in device failure.

No warranty is made with respect to uses, operating conditions, or combinations not represented on the data sheet. Users considering application outside the listed conditions are advised to contact their FUJITSU representative beforehand.

MB90620A Series

3. DC Characteristics

($V_{CC} = 4.0\text{ V to }+5.5\text{ V}$, $V_{SS} = 0.0\text{ V}$, $T_A = -40^\circ\text{C to }+85^\circ\text{C}$)

Parameter	Symbol	Pin name	Condition	Value			Unit	Remarks
				Min.	Typ.	Max.		
"H" level output voltage	V_{OH}	—	$V_{CC} = 4.5\text{ V}$ $I_{OH} = -4.0\text{ mA}$	$V_{CC} - 0.5$	—	—	V	
"L" level output voltage	V_{OL}	—	$V_{CC} = 4.5\text{ V}$ $I_{OH} = -4.0\text{ mA}$	—	—	0.4	V	
Input leakage current	I_{IL}	—	$V_{CC} = 5.5\text{ V}$ $<V_{SS} <V_I <V_{CC}$	-10	—	10	μA	
Pull-up resistor	R	—	—	22	—	110	$\text{k}\Omega$	
Power supply current	I_{CC}	V_{CC}	—	—	40	80	mA	In 12 MHz operation
	I_{CC}			—	30	60	mA	In 8 MHz operation
	I_{CC}			—	15	40	mA	In 4 MHz operation
	I_{CCS}			—	10	40	mA	In 12 MHz sleep
	I_{CCL}			—	6	10	mA	In 32 KHz sub operation
	I_{CCT}			—	50	200	μA	In 32 KHz watch mode
	I_{CCH}			—	1	10	μA	In stop mode
LCD voltage division resistor	R_{LCD}	—	Between V_{CC} and V_0 , $V_{CC} = 5.0\text{ V}$	300	500	750	$\text{k}\Omega$	
COM0 to COM3 output impedance	R_{VCOM}	—	$V_1 - V_3 = 5.0\text{ V}$	—	—	2.5	$\text{k}\Omega$	
SEG 0 to SEG31 output impedance	R_{VSEG}	—	$V_1 - V_3 = 5.0\text{ V}$	—	—	15	$\text{k}\Omega$	
LCD leakage current	I_{LCDL}	—	—	-10	—	10	μA	
Input capacitance	C_{IN}	Except V_{CC} , V_{SS}	—	—	10	—	pF	
Open-drain output leakage current	I_{leak}	Open-drain pin	—	—	0.1	10	μA	

MB90620A Series

4. AC Characteristics

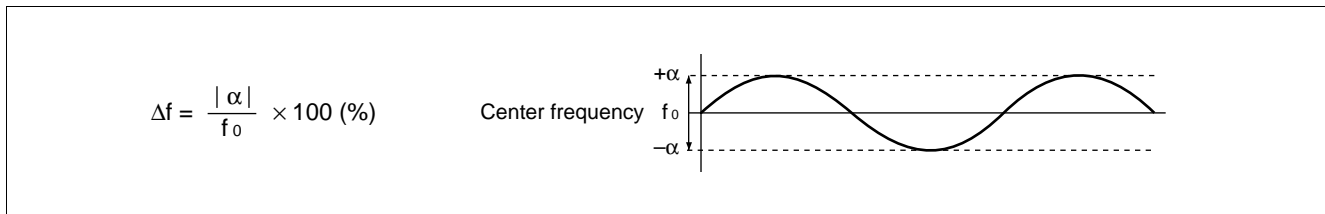
(1) Clock Timing

- When $V_{CC} = 4.0\text{ V to }5.5\text{ V}$

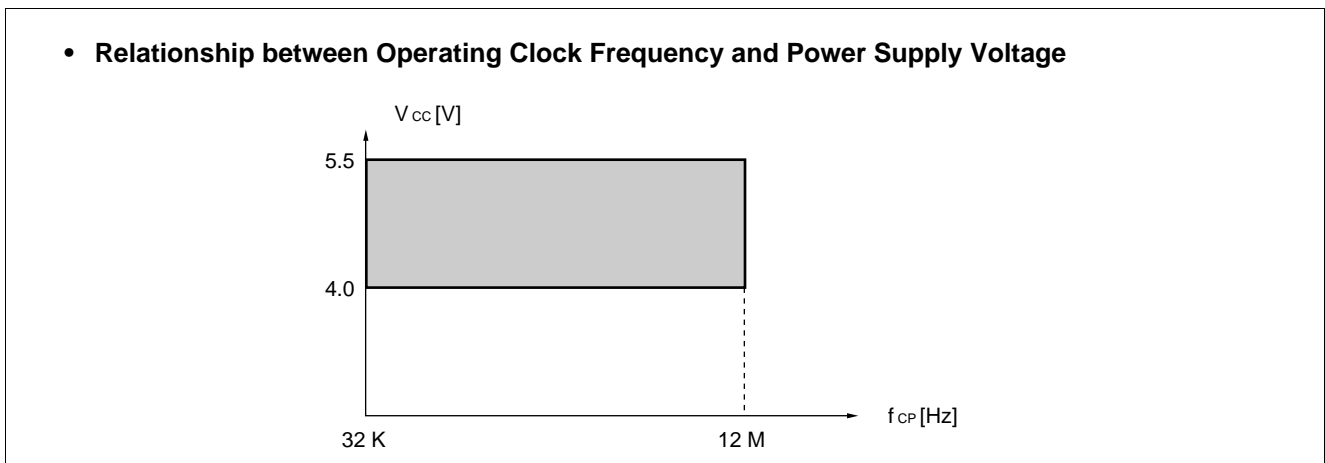
($V_{CC} = 4.0\text{ V to }+5.5\text{ V}$, $V_{SS} = 0.0\text{ V}$, $T_A = -40^\circ\text{C to }+85^\circ\text{C}$)

Parameter	Symbol	Pin name	Condition	Value		Unit	Remarks
				Min.	Max.		
Source oscillation frequency	F_c	X0, X1	—	3	24	MHz	
Source oscillation cycle time	t_c	X0, X1	—	41.66	333	ns	
Frequency fluctuation ratio*1 (when locked)	Δf	—	—	—	3	%	
Input clock pulse width	P_{WH}, P_{WL}	X0	—	12	—	ns	Use duty ratio of 30 to 70% as a guide
Input clock rising/falling time	t_{cr}, t_{cf}	X0	—	—	5	ns	
Internal operating clock frequency	f_{CP}	—	—	32 K*2	12 M	Hz	
Internal operating clock cycle time	t_{CP}	—	—	83.5	31250	ns	

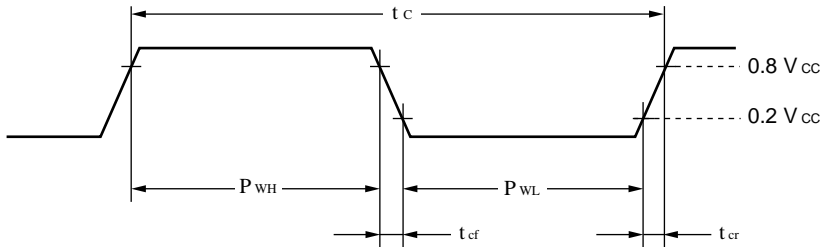
*1: The frequency fluctuation ratio indicates the maximum fluctuation ratio from the set center frequency while locked with multiply.



*2: 32 KHz operation means sub operation.

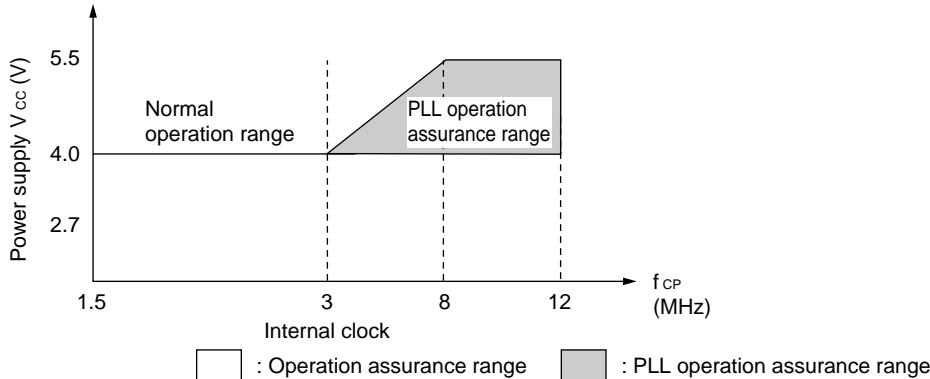


• Clock Timing

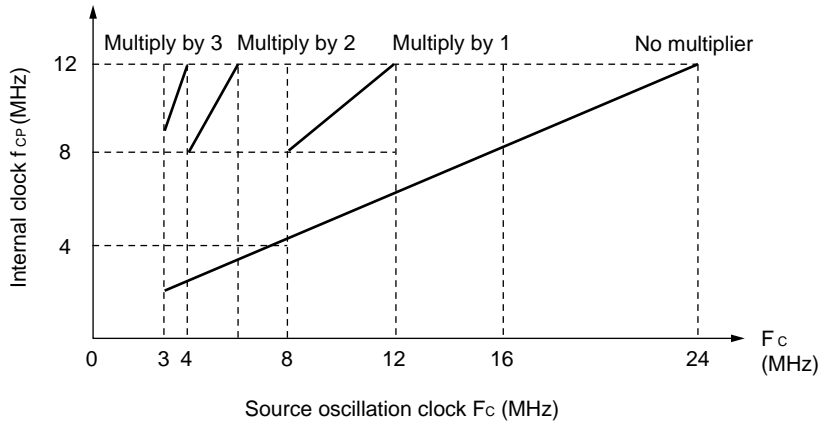


• PLL Operation Assurance Range

Relationship between internal operation clock frequency and power supply voltage



Relationship between source oscillation frequency, internal operating clock frequency

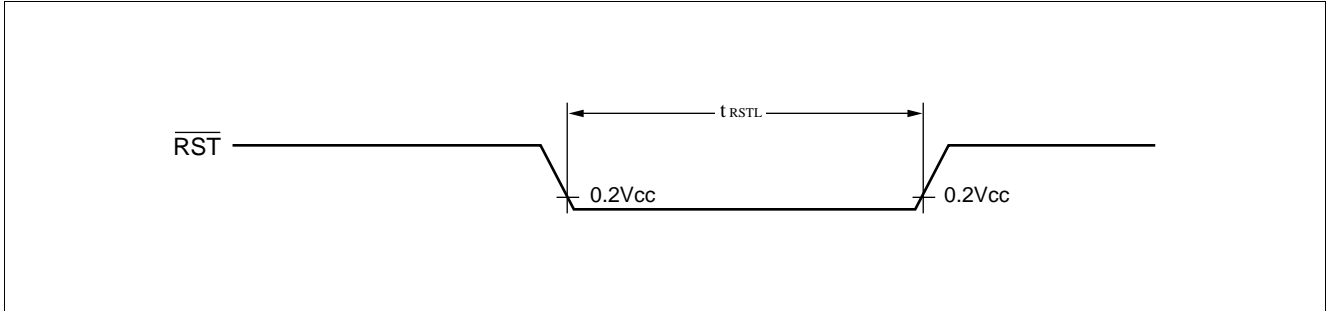


MB90620A Series

(2) Reset Input Timing

($V_{CC} = 4.0\text{ V to }+5.5\text{ V}$, $V_{SS} = 0.0\text{ V}$, $T_A = -40^\circ\text{C to }+85^\circ\text{C}$)

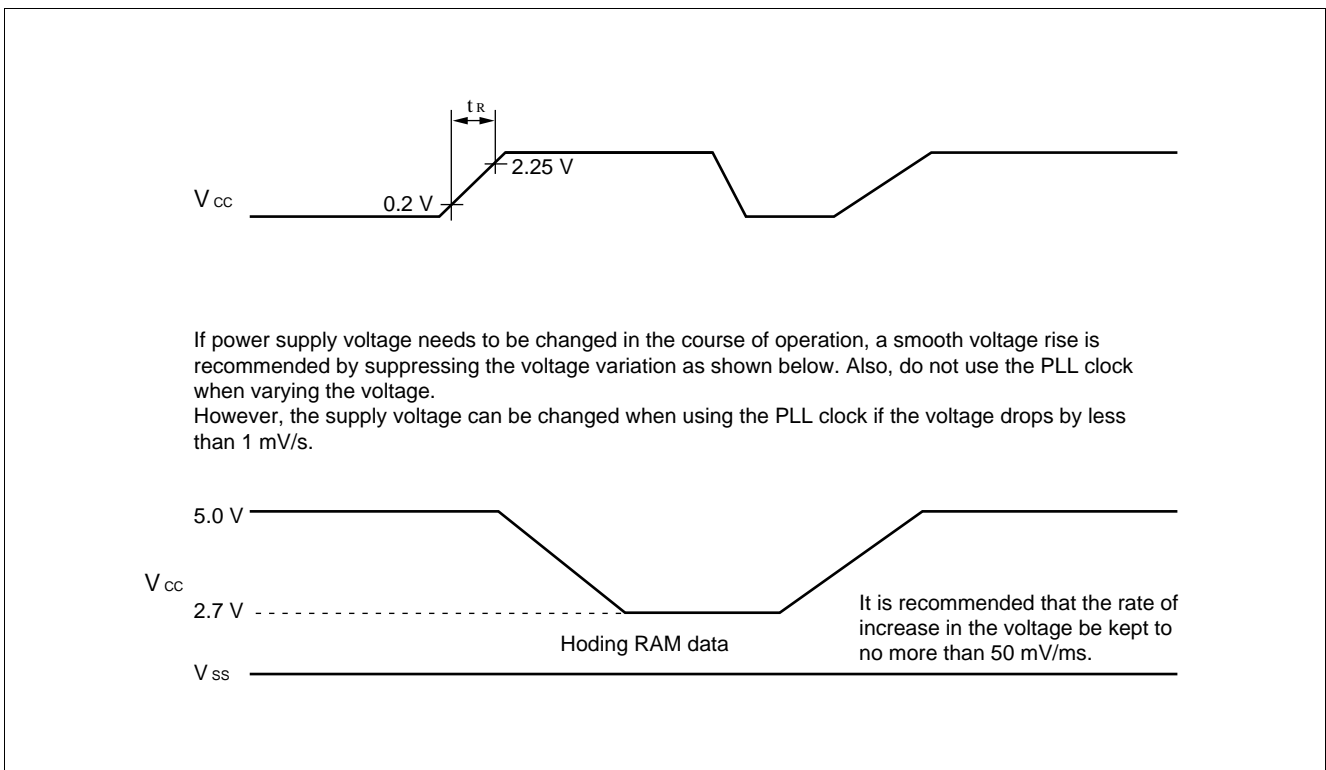
Parameter	Symbol	Pin name	Condition	Value		Unit	Remarks
				Min.	Max.		
Reset input time	t_{RSTL}	\overline{RST}	—	4 t_c	—	ns	



(3) Power-on Reset

($V_{CC} = 4.0\text{ V to }+5.5\text{ V}$, $V_{SS} = 0.0\text{ V}$, $T_A = -40^\circ\text{C to }+85^\circ\text{C}$)

Parameter	Symbol	Pin name	Condition	Value		Unit	Remarks
				Min.	Max.		
Power supply rising time	t_R	V_{CC}	—	—	30	ms	
Power supply cut-off time	t_{OFF}	V_{CC}	—	1	—	ms	



(4) UART Timing

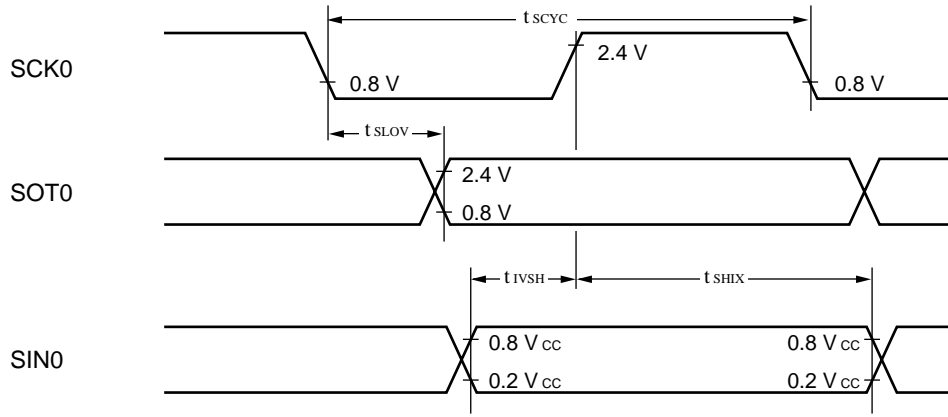
($V_{CC} = 4.0\text{ V to }+5.5\text{ V}$, $V_{SS} = 0.0\text{ V}$, $T_A = -40^\circ\text{C to }+85^\circ\text{C}$)

Parameter	Symbol	Pin name	Condition	Value		Unit	Remarks
				Min.	Max.		
Serial clock cycle time	t _{SCYC}	—	For internal shift clock mode output pin, C _L = 80 pF+1 TTL	8 t _{CP}	—	ns	
SCK0 ↓ → SOT0 delay time	t _{SLOV}	—		-80	80	ns	
Valid SIN0 → SCK0 ↑	t _{IVSH}	—		100	—	ns	
SCK0 ↑ → Valid SIN0 hold time	t _{SHIX}	—		60	—	ns	
Serial clock "H" pulse width	t _{SHSL}	—	For external shift clock mode output pin, C _L = 80 pF+1 TTL	4 t _{CP}	—	ns	
Serial clock "L" pulse width	t _{LSLH}	—		4 t _{CP}	—	ns	
SCK0 ↓ → SOT0 delay time	t _{SLOV}	—		—	150	ns	
Valid SIN0 → SCK0 ↑	t _{IVSH}	—		60	—	ns	
SCK0 ↑ → Valid SIN0 hold time	t _{SHIX}	—		60	—	ns	

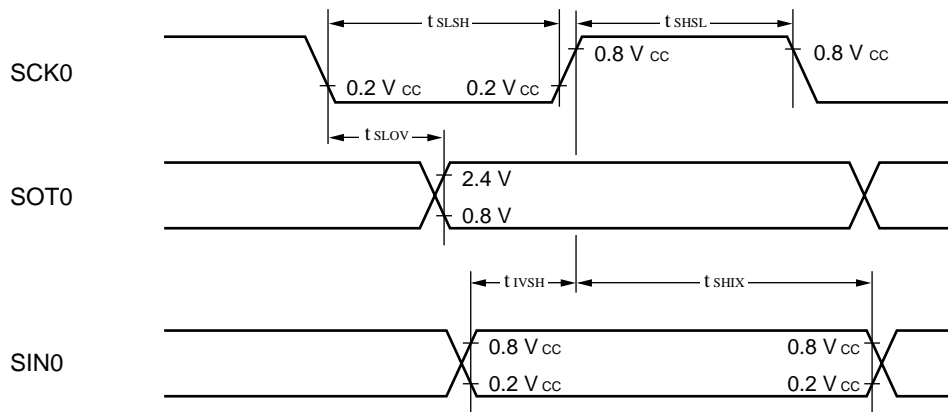
- Notes:
- These are the AC characteristics for CLK synchronous mode.
 - C_L is the load capacitance added to pins during testing.
 - t_{CP} is the internal operating clock cycle time (unit: ns).
 - The values in the table are target values.

MB90620A Series

• Internal Shift Clock Mode



• External Shift Clock Mode



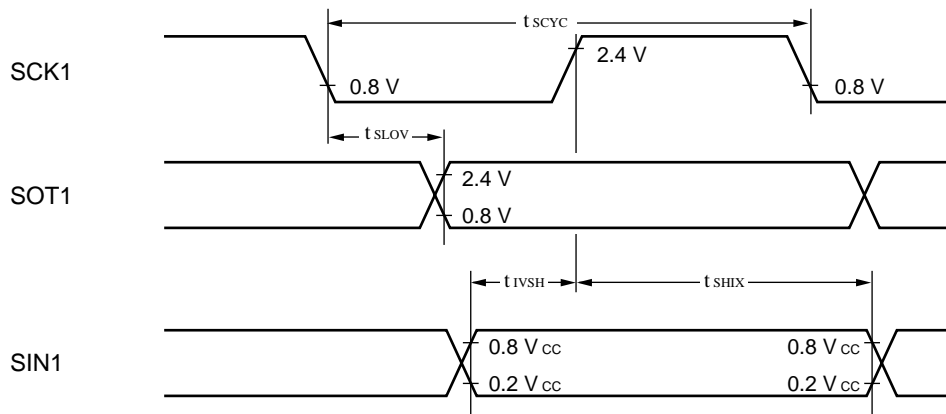
(5) Extended Serial I/O Timing

($V_{CC} = 4.0\text{ V to }+5.5\text{ V}$, $V_{SS} = 0.0\text{ V}$, $T_A = -40^\circ\text{C to }+85^\circ\text{C}$)

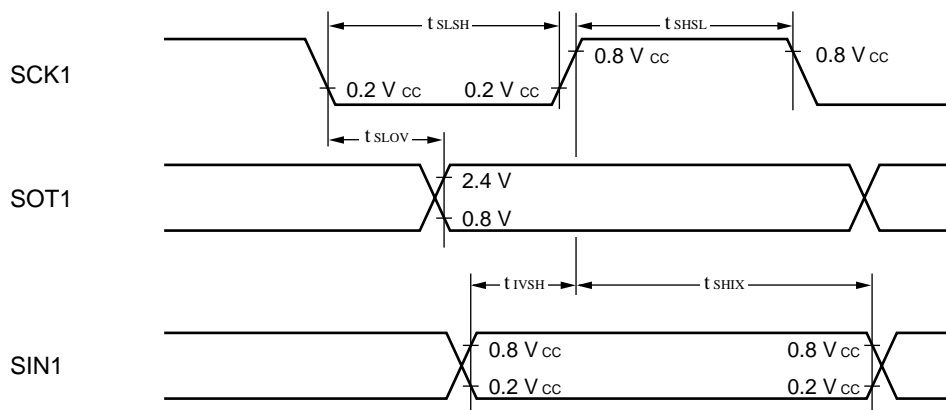
Parameter	Symbol	Pin name	Condition	Value		Unit	Remarks
				Min.	Max.		
Serial clock cycle time	t_{SCYC}	—	—	$8 t_{XMCYL}$	—	ns	For internal shift clock mode output pin, $C_L = 80\text{ pF} + 1\text{ TTL}$
SCK1 $\downarrow \rightarrow$ SOT1 delay time	t_{SLOV}	—	$V_{CC} = 5.0\text{ V} \pm 10\%$	—	80	ns	
Valid SIN1 \rightarrow SCK1 \uparrow	t_{IVSH}	—	—	$1 t_{XMCYL}$	—	ns	
SCK1 $\uparrow \rightarrow$ Valid SIN1 hold time	t_{SHIX}	—	—	$1 t_{XMCYL}$	—	ns	
Serial clock "H" pulse width	t_{SHSL}	—	$V_{CC} = 5.0\text{ V} \pm 10\%$	230	—	ns	For external shift clock mode output pin, $C_L = 80\text{ pF}$ Max. 2 MHz
Serial clock "L" pulse width	t_{SLSH}	—	$V_{CC} = 5.0\text{ V} \pm 10\%$	230	—	ns	
SCK1 $\downarrow \rightarrow$ SOT1 delay time	t_{SLOV}	—	—	$2 t_{XMCYL}$	—	ns	
Valid SIN1 \rightarrow SCK1 \uparrow	t_{IVSH}	—	—	$1 t_{XMCYL}$	—	ns	
SCK1 $\uparrow \rightarrow$ Valid SIN1 hold time	t_{SHIX}	—	—	$1 t_{XMCYL}$	—	ns	

Notes: • C_L is the load capacitance added to pins during testing.
 • t_{XMCYL} is the internal operation clock cycle time (unit: ns).

• Internal Shift Clock Mode



• External Shift Clock Mode

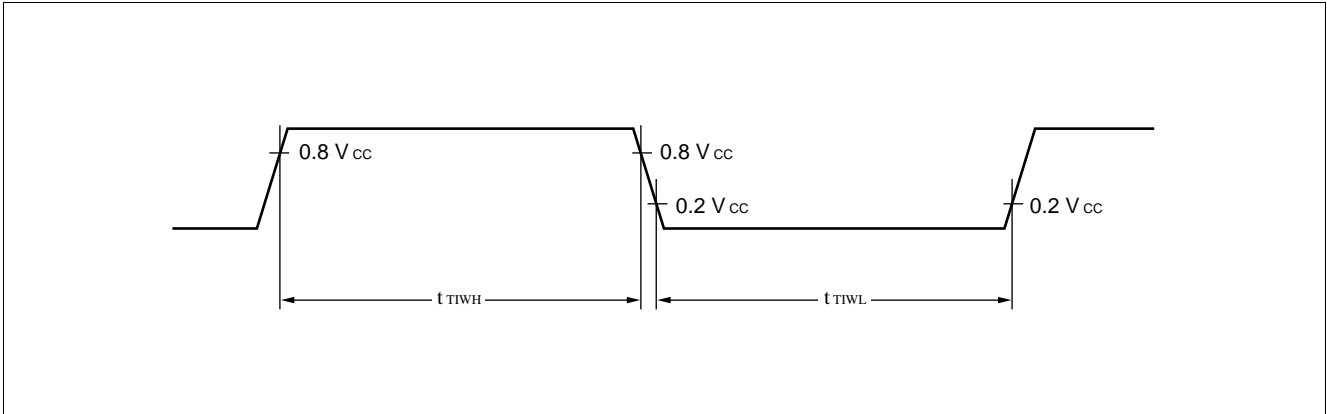


MB90620A Series

(6) Timer Input Timing

($V_{CC} = 4.0\text{ V to }+5.5\text{ V}$, $V_{SS} = 0.0\text{ V}$, $T_A = -40^\circ\text{C to }+85^\circ\text{C}$)

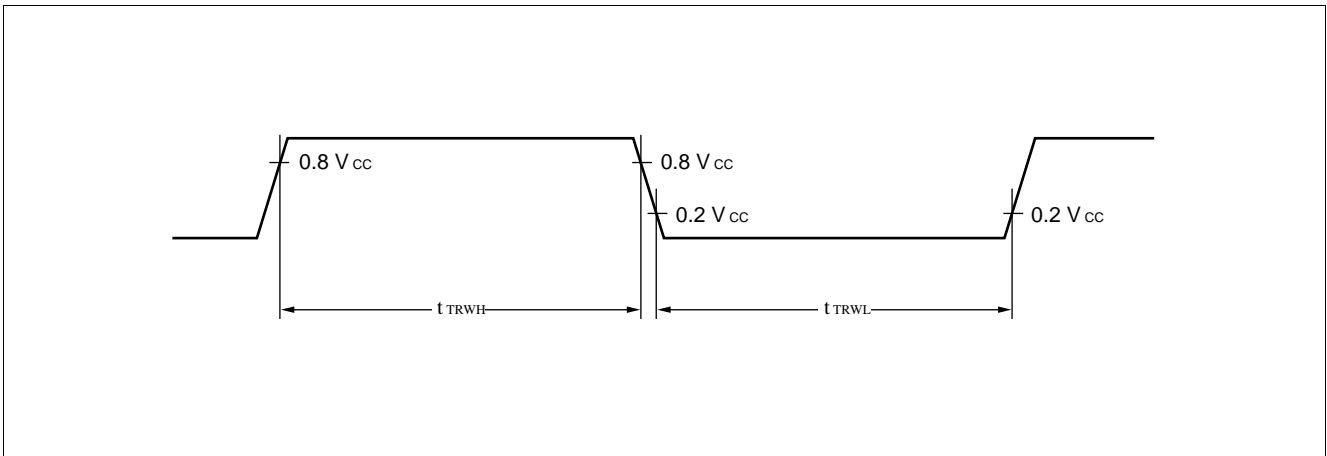
Parameter	Symbol	Pin name	Condition	Value		Unit	Remarks
				Min.	Max.		
Input pulse width	t_{TIWH} t_{TIWL}	TIO0 to TIO2	—	$4 t_{CP}$	—	ns	



(7) Trigger Input Timing

($V_{CC} = 4.0\text{ V to }+5.5\text{ V}$, $V_{SS} = 0.0\text{ V}$, $T_A = -40^\circ\text{C to }+85^\circ\text{C}$)

Parameter	Symbol	Pin name	Condition	Value		Unit	Remarks
				Min.	Max.		
Trigger input width	t_{TRWH} t_{TRWL}	$\overline{\text{ADT}}$ TRG	—	$4 t_{CP}$	—	ns	A/D trigger



5. A/D Converter Electrical Characteristics

($AV_{CC} = V_{CC} = +2.7 \text{ V to } 5.5 \text{ V}$, $AV_{SS} = V_{SS} = 0.0 \text{ V}$, $+2.7 \text{ V} \leq AVRH - AVRL$, $T_A = -40^\circ\text{C to } +85^\circ\text{C}$)

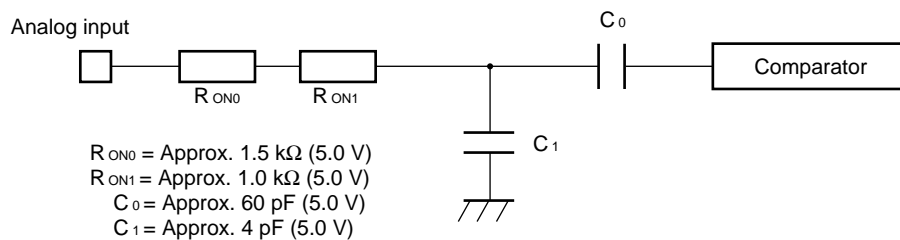
Parameter	Symbol	Pin name	Value			Unit
			Min.	Typ.	Max.	
Resolution	—	—	—	10	10	bit
Total error	—	—	—	—	± 3.0	LSB
Linearity error	—	—	—	—	± 1.5	LSB
Differential linearity error	—	—	—	—	± 1.5	LSB
Zero transition voltage	V_{OT}	AN0 to AN3	-1.5	+0.5	+2.5	LSB
Full-scale transition voltage	V_{FST}	AN0 to AN3	$AVRH - 3.5$	$AVRL - 1.5$	$AVRH + 0.5$	LSB
Conversion time	—	—	8.16	—	—	μs
Analog port input current	I_{AIN}	AN0 to AN3	—	—	10	μA
Analog input voltage	V_{AIN}	AN0 to AN3	AVRL	—	AVRH	V
		Reference voltage	AVRH	AVRL	AV_{CC}	V
Reference voltage	—	AVRH	AVRL	—	AVRH	V
		AVRL	—	—	AVRH	V
Power supply current	I_A	AV_{CC}	—	5	—	mA
		AV_{CC}	—	—	5*	μA
Reference voltage supply current	I_R	AV_{CC}	—	200	—	μA
		AV_{CC}	—	—	5*	μA
Interchannel disparity	—	AN0 to AN3	—	—	4	LSB

* : Current when the A/D converter is not operating and the CPU is stopped (when $V_{CC} = AV_{CC} = AVRH = +5.5 \text{ V}$)

Notes: • The smaller $|AVRH - AVRL|$, the greater the error would become relatively.

- The output impedance of the external circuit for the analog input must satisfy the following conditions:
The output impedance of the external circuit should be less than approximately $7 \text{ k}\Omega$.
- If the output impedance of the external circuit is too high, an analog voltage sampling time might be insufficient (sampling time = $5 \mu\text{s}$ @ at a machine clock of 12 MHz).

• Analog Input Circuit Model Diagram

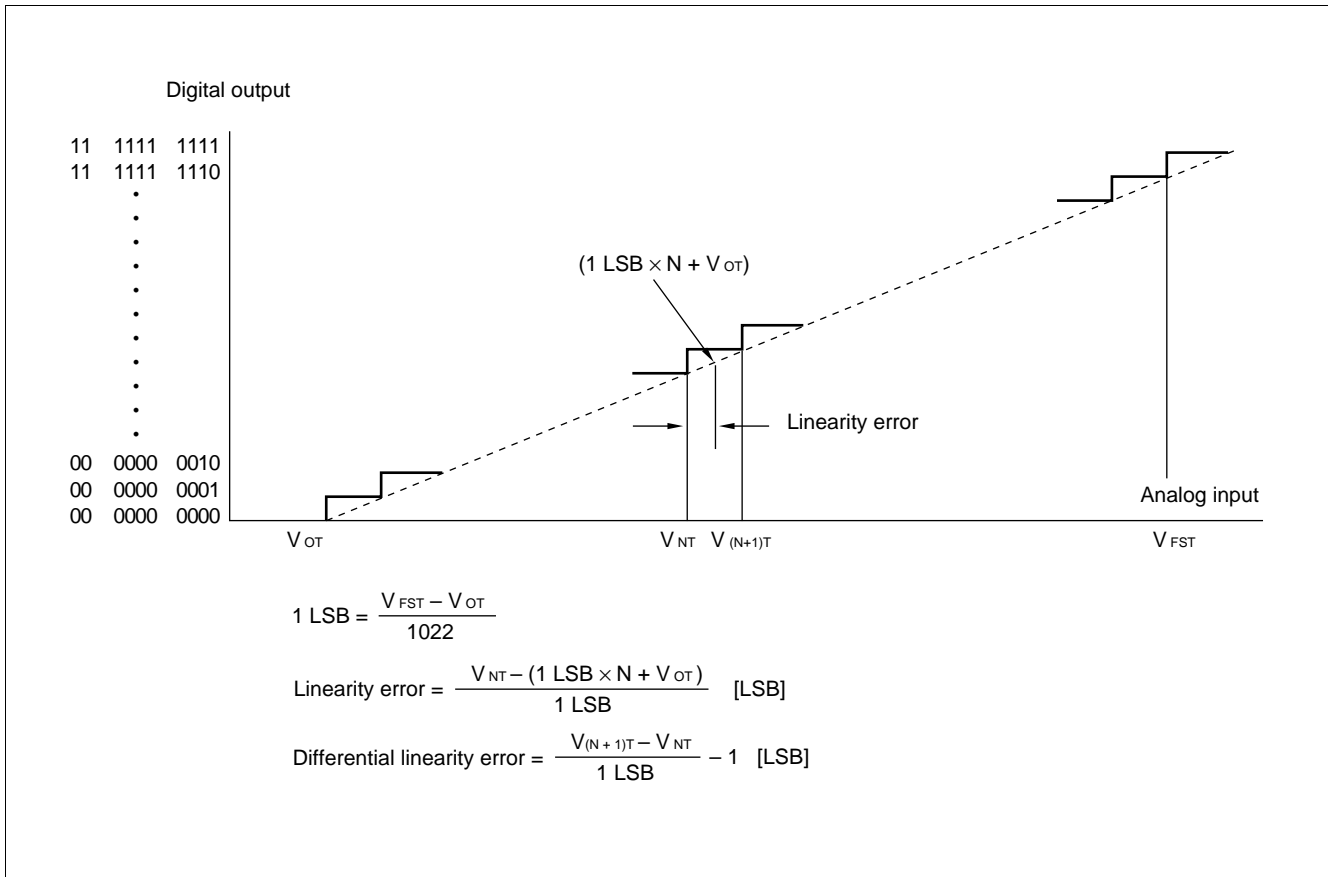


Note: Use the values shown as guides only.

MB90620A Series

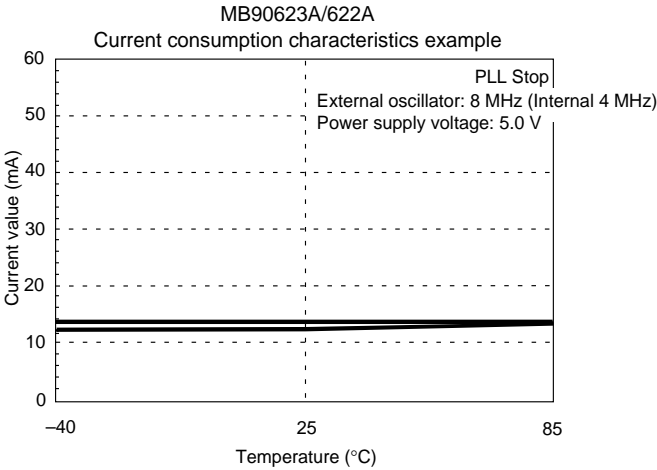
6. A/D Converter Glossary

- Resolution
Analog changes that are identifiable with the A/D converter.
If the resolution is 10 bits, the analog voltage can be resolved into $2^{10} = 1024$ steps.
- Total error
The deviation between the actual and logic value attributable to offset error, gain error, non-linearity error, and noise.
- Linearity error
The deviation between the actual conversion characteristic of the device and the line linking the zero transition point (“00 0000 0000” ↔ “00 0000 0001”) and the full scale transition point (“11 1111 1110” ↔ “11 1111 1111”).
- Differential linearity error
The deviation of input voltage needed to change the output code by 1 LSB from the theoretical value

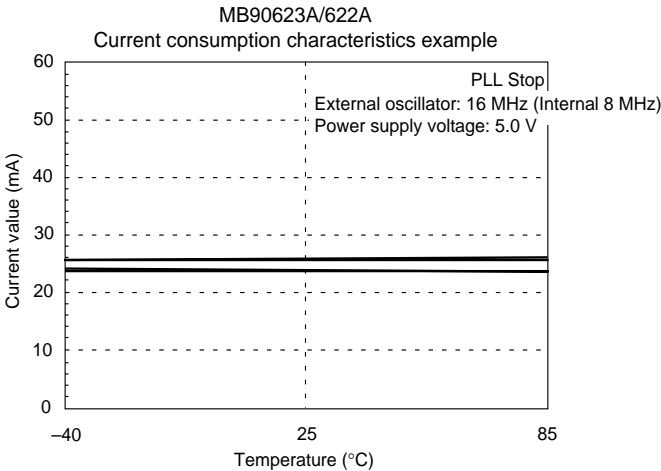


■ EXAMPLE CHARACTERISTICS

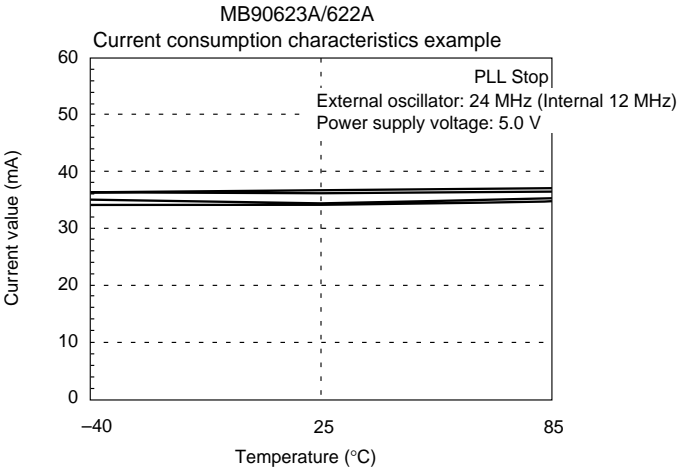
Power supply current vs temperature characteristics example



Power supply current vs temperature characteristics example



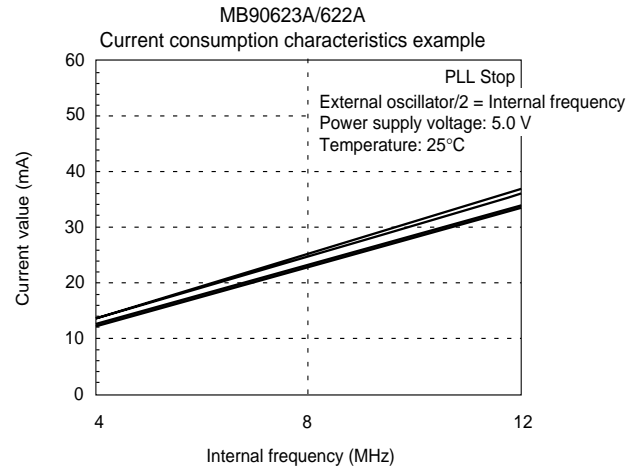
Power supply current vs temperature characteristics example



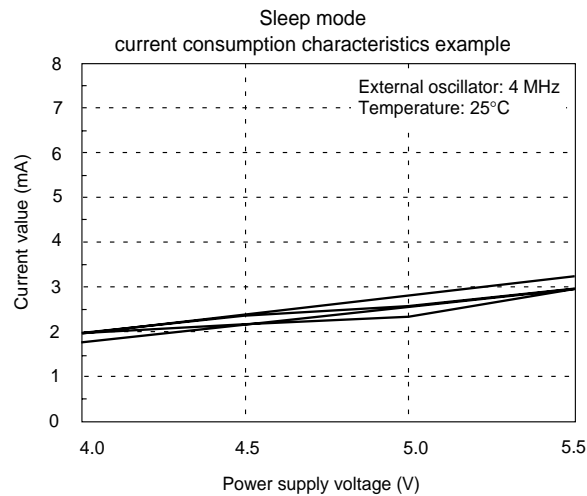
(Continued)

MB90620A Series

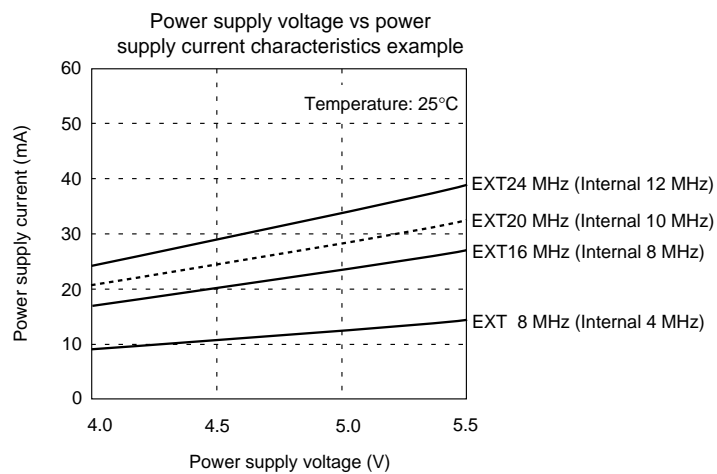
Operation frequency vs power supply current characteristics example



Sleep mode power supply current characteristics example

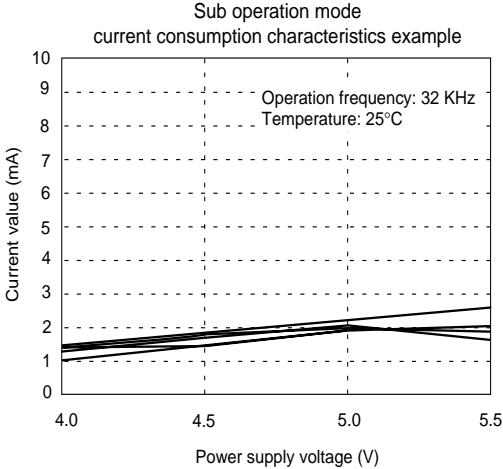


Power supply voltage vs power supply current characteristics example

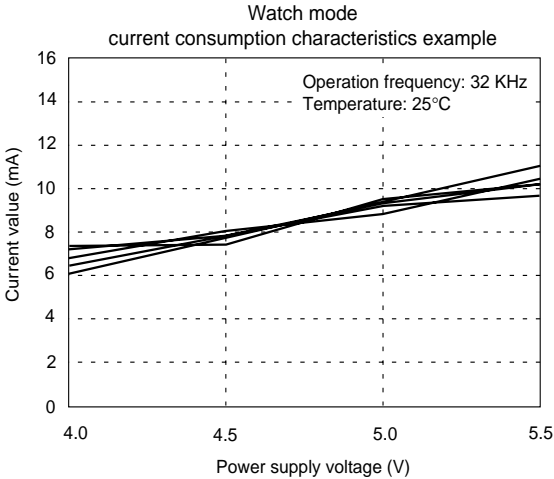


(Continued)

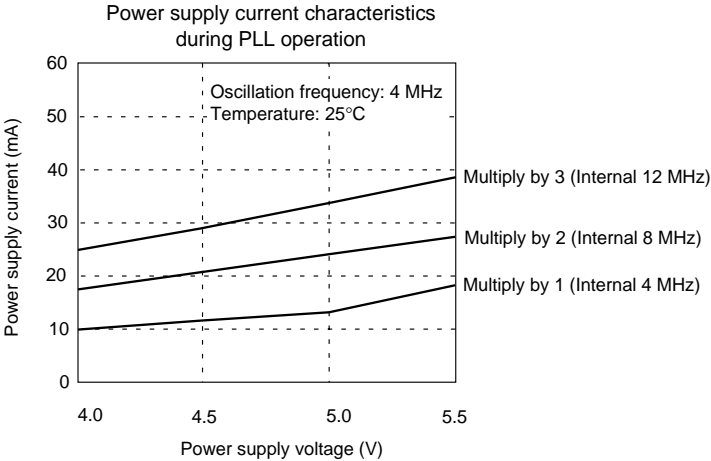
Sub operation mode power supply current characteristics example



Watch mode power supply current characteristics example



Power supply current characteristics during PLL operation

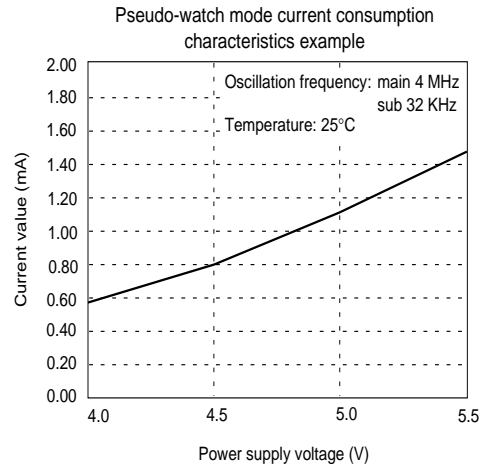


(Continued)

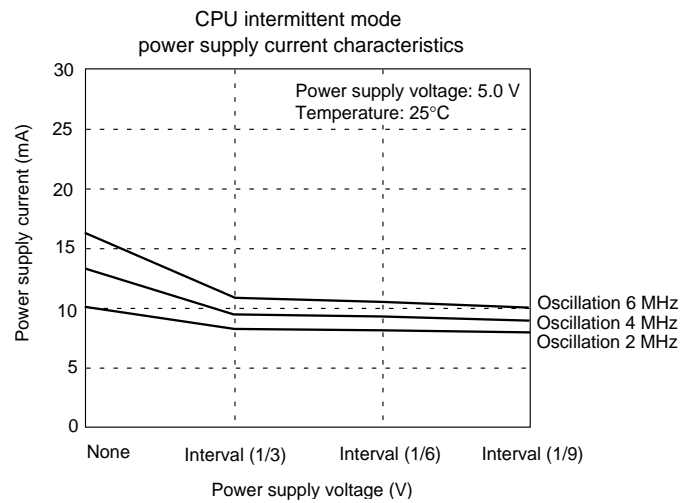
MB90620A Series

(Continued)

Pseudo-watch mode power supply current characteristics example



CPU intermittent mode power supply current characteristics



■ INSTRUCTIONS (340 INSTRUCTIONS)

Table 1 Explanation of Items in Tables of Instructions

Item	Meaning
Mnemonic	Upper-case letters and symbols: Represented as they appear in assembler. Lower-case letters: Replaced when described in assembler. Numbers after lower-case letters: Indicate the bit width within the instruction.
#	Indicates the number of bytes.
~	Indicates the number of cycles. m : When branching n : When not branching See Table 4 for details about meanings of other letters in items.
RG	Indicates the number of accesses to the register during execution of the instruction. It is used calculate a correction value for intermittent operation of CPU.
B	Indicates the correction value for calculating the number of actual cycles during execution of the instruction. (Table 5) The number of actual cycles during execution of the instruction is the correction value summed with the value in the “~” column.
Operation	Indicates the operation of instruction.
LH	Indicates special operations involving the upper 8 bits of the lower 16 bits of the accumulator. Z : Transfers “0”. X : Extends with a sign before transferring. – : Transfers nothing.
AH	Indicates special operations involving the upper 16 bits in the accumulator. * : Transfers from AL to AH. – : No transfer. Z : Transfers 00 _H to AH. X : Transfers 00 _H or FF _H to AH by signing and extending AL.
I	Indicates the status of each of the following flags: I (interrupt enable), S (stack), T (sticky bit), N (negative), Z (zero), V (overflow), and C (carry). * : Changes due to execution of instruction. – : No change. S : Set by execution of instruction. R : Reset by execution of instruction.
S	
T	
N	
Z	
V	
C	
RMW	Indicates whether the instruction is a read-modify-write instruction. (a single instruction that reads data from memory, etc., processes the data, and then writes the result to memory.) * : Instruction is a read-modify-write instruction. – : Instruction is not a read-modify-write instruction. Note: A read-modify-write instruction cannot be used on addresses that have different meanings depending on whether they are read or written.

MB90620A Series

Table 2 Explanation of Symbols in Tables of Instructions

Symbol	Meaning
A	32-bit accumulator The bit length varies according to the instruction. Byte : Lower 8 bits of AL Word : 16 bits of AL Long : 32 bits of AL:AH
AH AL	Upper 16 bits of A Lower 16 bits of A
SP	Stack pointer (USP or SSP)
PC	Program counter
PCB	Program bank register
DTB	Data bank register
ADB	Additional data bank register
SSB	System stack bank register
USB	User stack bank register
SPB	Current stack bank register (SSB or USB)
DPR	Direct page register
brg1	DTB, ADB, SSB, USB, DPR, PCB, SPB
brg2	DTB, ADB, SSB, USB, DPR, SPB
Ri	R0, R1, R2, R3, R4, R5, R6, R7
RWi	RW0, RW1, RW2, RW3, RW4, RW5, RW6, RW7
RWj	RW0, RW1, RW2, RW3
RLi	RL0, RL1, RL2, RL3
dir	Compact direct addressing
addr16 addr24 ad24 0 to 15 ad24 16 to 23	Direct addressing Physical direct addressing Bit 0 to bit 15 of addr24 Bit 16 to bit 23 of addr24
io	I/O area (000000H to 0000FFH)
imm4 imm8 imm16 imm32 ext (imm8)	4-bit immediate data 8-bit immediate data 16-bit immediate data 32-bit immediate data 16-bit data signed and extended from 8-bit immediate data
disp8 disp16	8-bit displacement 16-bit displacement
bp	Bit offset
vct4 vct8	Vector number (0 to 15) Vector number (0 to 255)
()b	Bit address

(Continued)

Symbol	Meaning
rel	Branch specification relative to PC
ear eam	Effective addressing (codes 00 to 07) Effective addressing (codes 08 to 1F)
rlst	Register list

Table 3 Effective Address Fields

Code	Notation			Address format	Number of bytes in address extension *
00 01 02 03 04 05 06 07	R0 R1 R2 R3 R4 R5 R6 R7	RW0 RW1 RW2 RW3 RW4 RW5 RW6 RW7	RL0 (RL0) RL1 (RL1) RL2 (RL2) RL3 (RL3)	Register direct “ea” corresponds to byte, word, and long-word types, starting from the left	—
08 09 0A 0B	@RW0 @RW1 @RW2 @RW3			Register indirect	0
0C 0D 0E 0F	@RW0 + @RW1 + @RW2 + @RW3 +			Register indirect with post-increment	0
10 11 12 13 14 15 16 17	@RW0 + disp8 @RW1 + disp8 @RW2 + disp8 @RW3 + disp8 @RW4 + disp8 @RW5 + disp8 @RW6 + disp8 @RW7 + disp8			Register indirect with 8-bit displacement	1
18 19 1A 1B	@RW0 + disp16 @RW1 + disp16 @RW2 + disp16 @RW3 + disp16			Register indirect with 16-bit displacement	2
1C 1D 1E 1F	@RW0 + RW7 @RW1 + RW7 @PC + disp16 addr16			Register indirect with index Register indirect with index PC indirect with 16-bit displacement Direct address	0 0 2 2

Note: The number of bytes in the address extension is indicated by the “+” symbol in the “#” (number of bytes) column in the tables of instructions.

MB90620A Series

Table 4 Number of Execution Cycles for Each Type of Addressing

Code	Operand	(a)	Number of register accesses for each type of addressing
		Number of execution cycles for each type of addressing	
00 to 07	Ri RWi RLi	Listed in tables of instructions	Listed in tables of instructions
08 to 0B	@RWj	2	1
0C to 0F	@RWj +	4	2
10 to 17	@RWi + disp8	2	1
18 to 1B	@RWj + disp16	2	1
1C	@RW0 + RW7	4	2
1D	@RW1 + RW7	4	2
1E	@PC + disp16	2	0
1F	addr16	1	0

Note: “(a)” is used in the “~” (number of states) column and column B (correction value) in the tables of instructions.

Table 5 Correction Values for Number of Cycles Used to Calculate Number of Actual Cycles

Operand	(b) byte		(c) word		(d) long	
	Number of cycles	Number of access	Number of cycles	Number of access	Number of cycles	Number of access
Internal register	+0	1	+0	1	+0	2
Internal memory even address	+0	1	+0	1	+0	2
Internal memory odd address	+0	1	+2	2	+4	4
Even address on external data bus (16 bits)	+1	1	+1	1	+2	2
Odd address on external data bus (16 bits)	+1	1	+4	2	+8	4
External data bus (8 bits)	+1	1	+4	2	+8	4

Notes: • “(b)”, “(c)”, and “(d)” are used in the “~” (number of states) column and column B (correction value) in the tables of instructions.

- When the external data bus is used, it is necessary to add in the number of wait cycles used for ready input and automatic ready.

Table 6 Correction Values for Number of Cycles Used to Calculate Number of Program Fetch Cycles

Instruction	Byte boundary	Word boundary
Internal memory	—	+2
External data bus (16 bits)	—	+3
External data bus (8 bits)	+3	—

Notes: • When the external data bus is used, it is necessary to add in the number of wait cycles used for ready input and automatic ready.

- Because instruction execution is not slowed down by all program fetches in actuality, these correction values should be used for “worst case” calculations.

Table 7 Transfer Instructions (Byte) [41 Instructions]

Mnemonic	#	~	R G	B	Operation	L H	A H	I	S	T	N	Z	V	C	RM W
MOV	A, dir	2	3	0	(b)	byte (A) ← (dir)	Z	*	-	-	-	*	*	-	-
MOV	A, addr16	3	4	0	(b)	byte (A) ← (addr16)	Z	*	-	-	-	*	*	-	-
MOV	A, Ri	1	2	1	0	byte (A) ← (Ri)	Z	*	-	-	-	*	*	-	-
MOV	A, ear	2	2	1	0	byte (A) ← (ear)	Z	*	-	-	-	*	*	-	-
MOV	A, eam	2+	3+ (a)	0	(b)	byte (A) ← (eam)	Z	*	-	-	-	*	*	-	-
MOV	A, io	2	3	0	(b)	byte (A) ← (io)	Z	*	-	-	-	*	*	-	-
MOV	A, #imm8	2	2	0	0	byte (A) ← imm8	Z	*	-	-	-	*	*	-	-
MOV	A, @A	2	3	0	(b)	byte (A) ← (A)	Z	-	-	-	-	*	*	-	-
MOV	A, @RLi+disp8	3	10	2	(b)	byte (A) ← ((RLi)+disp8)	Z	*	-	-	-	*	*	-	-
MOVN	A, #imm4	1	1	0	0	byte (A) ← imm4	Z	*	-	-	-	R	*	-	-
MOVX	A, dir	2	3	0	(b)	byte (A) ← (dir)	X	*	-	-	-	*	*	-	-
MOVX	A, addr16	3	4	0	(b)	byte (A) ← (addr16)	X	*	-	-	-	*	*	-	-
MOVX	A, Ri	2	2	1	0	byte (A) ← (Ri)	X	*	-	-	-	*	*	-	-
MOVX	A, ear	2	2	1	0	byte (A) ← (ear)	X	*	-	-	-	*	*	-	-
MOVX	A, eam	2+	3+ (a)	0	(b)	byte (A) ← (eam)	X	*	-	-	-	*	*	-	-
MOVX	A, io	2	3	0	(b)	byte (A) ← (io)	X	*	-	-	-	*	*	-	-
MOVX	A, #imm8	2	2	0	0	byte (A) ← imm8	X	*	-	-	-	*	*	-	-
MOVX	A, @A	2	3	0	(b)	byte (A) ← (A)	X	-	-	-	-	*	*	-	-
MOVX	A, @RWi+disp8	2	5	1	(b)	byte (A) ← ((RWi)+disp8)	X	*	-	-	-	*	*	-	-
MOVX	A, @RLi+disp8	3	10	2	(b)	byte (A) ← ((RLi)+disp8)	X	*	-	-	-	*	*	-	-
MOV	dir, A	2	3	0	(b)	byte (dir) ← (A)	-	-	-	-	-	*	*	-	-
MOV	addr16, A	3	4	0	(b)	byte (addr16) ← (A)	-	-	-	-	-	*	*	-	-
MOV	Ri, A	1	2	1	0	byte (Ri) ← (A)	-	-	-	-	-	*	*	-	-
MOV	ear, A	2	2	1	0	byte (ear) ← (A)	-	-	-	-	-	*	*	-	-
MOV	eam, A	2+	3+ (a)	0	(b)	byte (eam) ← (A)	-	-	-	-	-	*	*	-	-
MOV	io, A	2	3	0	(b)	byte (io) ← (A)	-	-	-	-	-	*	*	-	-
MOV	@RLi+disp8, A	3	10	2	(b)	byte ((RLi) +disp8) ← (A)	-	-	-	-	-	*	*	-	-
MOV	Ri, ear	2	3	2	0	byte (Ri) ← (ear)	-	-	-	-	-	*	*	-	-
MOV	Ri, eam	2+	4+ (a)	1	(b)	byte (Ri) ← (eam)	-	-	-	-	-	*	*	-	-
MOV	ear, Ri	2	4	2	0	byte (ear) ← (Ri)	-	-	-	-	-	*	*	-	-
MOV	eam, Ri	2+	5+ (a)	1	(b)	byte (eam) ← (Ri)	-	-	-	-	-	*	*	-	-
MOV	Ri, #imm8	2	2	1	0	byte (Ri) ← imm8	-	-	-	-	-	*	*	-	-
MOV	io, #imm8	3	5	0	(b)	byte (io) ← imm8	-	-	-	-	-	-	-	-	-
MOV	dir, #imm8	3	5	0	(b)	byte (dir) ← imm8	-	-	-	-	-	-	-	-	-
MOV	ear, #imm8	3	2	1	0	byte (ear) ← imm8	-	-	-	-	-	*	*	-	-
MOV	eam, #imm8	3+	4+ (a)	0	(b)	byte (eam) ← imm8	-	-	-	-	-	-	-	-	-
MOV	@AL, AH	2	3	0	(b)	byte ((A)) ← (AH)	-	-	-	-	-	*	*	-	-
/MOV	@A, T														
XCH	A, ear	2	4	2	0	byte (A) ↔ (ear)	Z	-	-	-	-	-	-	-	-
XCH	A, eam	2+	5+ (a)	0	2×(b)	byte (A) ↔ (eam)	Z	-	-	-	-	-	-	-	-
XCH	Ri, ear	2	7	4	0	byte (Ri) ↔ (ear)	-	-	-	-	-	-	-	-	-
XCH	Ri, eam	2+	9+ (a)	2	2×(b)	byte (Ri) ↔ (eam)	-	-	-	-	-	-	-	-	-

Note: For an explanation of “(a)” to “(d)”, refer to Table 4, “Number of Execution Cycles for Each Type of Addressing,” and Table 5, “Correction Values for Number of Cycles Used to Calculate Number of Actual Cycles.”

MB90620A Series

Table 8 Transfer Instructions (Word/Long Word) [38 Instructions]

Mnemonic	#	~	R G	B	Operation	L H	A H	I	S	T	N	Z	V	C	RM W
MOVW A, dir	2	3	0	(c)	word (A) ← (dir)	-	*	-	-	-	*	*	-	-	-
MOVW A, addr16	3	4	0	(c)	word (A) ← (addr16)	-	*	-	-	-	*	*	-	-	-
MOVW A, SP	1	1	0	0	word (A) ← (SP)	-	*	-	-	-	*	*	-	-	-
MOVW A, RWi	1	2	1	0	word (A) ← (RWi)	-	*	-	-	-	*	*	-	-	-
MOVW A, ear	2	2	1	0	word (A) ← (ear)	-	*	-	-	-	*	*	-	-	-
MOVW A, eam	2+	3+ (a)	0	(c)	word (A) ← (eam)	-	*	-	-	-	*	*	-	-	-
MOVW A, io	2	3	0	(c)	word (A) ← (io)	-	*	-	-	-	*	*	-	-	-
MOVW A, @A	2	3	0	(c)	word (A) ← ((A))	-	-	-	-	-	*	*	-	-	-
MOVW A, #imm16	3	2	0	0	word (A) ← imm16	-	*	-	-	-	*	*	-	-	-
MOVW A, @RWi+disp8	2	5	1	(c)	word (A) ← ((RWi) +disp8)	-	*	-	-	-	*	*	-	-	-
MOVW A, @RLi+disp8	3	10	2	(c)	word (A) ← ((RLi) +disp8)	-	*	-	-	-	*	*	-	-	-
MOVW dir, A	2	3	0	(c)	word (dir) ← (A)	-	-	-	-	-	*	*	-	-	-
MOVW addr16, A	3	4	0	(c)	word (addr16) ← (A)	-	-	-	-	-	*	*	-	-	-
MOVW SP, A	1	1	0	0	word (SP) ← (A)	-	-	-	-	-	*	*	-	-	-
MOVW RWi, A	1	2	1	0	word (RWi) ← (A)	-	-	-	-	-	*	*	-	-	-
MOVW ear, A	2	2	1	0	word (ear) ← (A)	-	-	-	-	-	*	*	-	-	-
MOVW eam, A	2+	3+ (a)	0	(c)	word (eam) ← (A)	-	-	-	-	-	*	*	-	-	-
MOVW io, A	2	3	0	(c)	word (io) ← (A)	-	-	-	-	-	*	*	-	-	-
MOVW @RWi+disp8, A	2	5	1	(c)	word ((RWi) +disp8) ← (A)	-	-	-	-	-	*	*	-	-	-
MOVW @RLi+disp8, A	3	10	2	(c)	word ((RLi) +disp8) ← (A)	-	-	-	-	-	*	*	-	-	-
MOVW RWi, ear	2	3	2	(0)	word (RWi) ← (ear)	-	-	-	-	-	*	*	-	-	-
MOVW RWi, eam	2+	4+ (a)	1	(c)	word (RWi) ← (eam)	-	-	-	-	-	*	*	-	-	-
MOVW ear, RWi	2	4	2	0	word (ear) ← (RWi)	-	-	-	-	-	*	*	-	-	-
MOVW eam, RWi	2+	5+ (a)	1	(c)	word (eam) ← (RWi)	-	-	-	-	-	*	*	-	-	-
MOVW RWi, #imm16	3	2	1	0	word (RWi) ← imm16	-	-	-	-	-	*	*	-	-	-
MOVW io, #imm16	4	5	0	(c)	word (io) ← imm16	-	-	-	-	-	-	-	-	-	-
MOVW ear, #imm16	4	2	1	0	word (ear) ← imm16	-	-	-	-	-	*	*	-	-	-
MOVW eam, #imm16	4+	4+ (a)	0	(c)	word (eam) ← imm16	-	-	-	-	-	-	-	-	-	-
MOVW AL, AH /MOVW @A, T	2	3	0	(c)	word ((A)) ← (AH)	-	-	-	-	-	*	*	-	-	-
XCHW A, ear	2	4	2	0	word (A) ↔ (ear)	-	-	-	-	-	-	-	-	-	-
XCHW A, eam	2+	5+ (a)	0	2× (c)	word (A) ↔ (eam)	-	-	-	-	-	-	-	-	-	-
XCHW RWi, ear	2	7	4	0	word (RWi) ↔ (ear)	-	-	-	-	-	-	-	-	-	-
XCHW RWi, eam	2+	9+ (a)	2	2× (c)	word (RWi) ↔ (eam)	-	-	-	-	-	-	-	-	-	-
MOVL A, ear	2	4	2	0	long (A) ← (ear)	-	-	-	-	-	*	*	-	-	-
MOVL A, eam	2+	5+ (a)	0	(d)	long (A) ← (eam)	-	-	-	-	-	*	*	-	-	-
MOVL A, #imm32	5	3	0	0	long (A) ← imm32	-	-	-	-	-	*	*	-	-	-
MOVL ear, A	2	4	2	0	long (ear) ← (A)	-	-	-	-	-	*	*	-	-	-
MOVL eam, A	2+	5+ (a)	0	(d)	long (eam) ← (A)	-	-	-	-	-	*	*	-	-	-

Note: For an explanation of “(a)” to “(d)”, refer to Table 4, “Number of Execution Cycles for Each Type of Addressing,” and Table 5, “Correction Values for Number of Cycles Used to Calculate Number of Actual Cycles.”

Table 9 Addition and Subtraction Instructions (Byte/Word/Long Word) [42 Instructions]

Mnemonic	#	~	R G	B	Operation	L H	A H	I	S	T	N	Z	V	C	RM W	
ADD	A, #imm8	2	2	0	0	byte (A) ← (A) +imm8	Z	-	-	-	-	*	*	*	*	-
ADD	A, dir	2	5	0	(b)	byte (A) ← (A) +(dir)	Z	-	-	-	-	*	*	*	*	-
ADD	A, ear	2	3	1	0	byte (A) ← (A) +(ear)	Z	-	-	-	-	*	*	*	*	-
ADD	A, eam	2+	4+ (a)	0	(b)	byte (A) ← (A) +(eam)	Z	-	-	-	-	*	*	*	*	-
ADD	ear, A	2	3	2	0	byte (ear) ← (ear) + (A)	-	-	-	-	-	*	*	*	*	-
ADD	eam, A	2+	5+ (a)	0	2× (b)	byte (eam) ← (eam) + (A)	Z	-	-	-	-	*	*	*	*	*
ADDC	A	1	2	0	0	byte (A) ← (AH) + (AL) + (C)	Z	-	-	-	-	*	*	*	*	-
ADDC	A, ear	2	3	1	0	byte (A) ← (A) + (ear) + (C)	Z	-	-	-	-	*	*	*	*	-
ADDC	A, eam	2+	4+ (a)	0	(b)	byte (A) ← (A) + (eam) + (C)	Z	-	-	-	-	*	*	*	*	-
ADDDC	A	1	3	0	0	byte (A) ← (AH) + (AL) + (C) (decimal)	Z	-	-	-	-	*	*	*	*	-
SUB	A, #imm8	2	2	0	0	byte (A) ← (A) -imm8	Z	-	-	-	-	*	*	*	*	-
SUB	A, dir	2	5	0	(b)	byte (A) ← (A) -(dir)	Z	-	-	-	-	*	*	*	*	-
SUB	A, ear	2	3	1	0	byte (A) ← (A) -(ear)	Z	-	-	-	-	*	*	*	*	-
SUB	A, eam	2+	4+ (a)	0	(b)	byte (A) ← (A) -(eam)	Z	-	-	-	-	*	*	*	*	-
SUB	ear, A	2	3	2	0	byte (ear) ← (ear) - (A)	-	-	-	-	-	*	*	*	*	-
SUB	eam, A	2+	5+ (a)	0	2× (b)	byte (eam) ← (eam) - (A)	-	-	-	-	-	*	*	*	*	*
SUBC	A	1	2	0	0	byte (A) ← (AH) - (AL) - (C)	Z	-	-	-	-	*	*	*	*	-
SUBC	A, ear	2	3	1	0	byte (A) ← (A) - (ear) - (C)	Z	-	-	-	-	*	*	*	*	-
SUBC	A, eam	2+	4+ (a)	0	(b)	byte (A) ← (A) - (eam) - (C)	Z	-	-	-	-	*	*	*	*	-
SUBDC	A	1	3	0	0	byte (A) ← (AH) - (AL) - (C) (decimal)	Z	-	-	-	-	*	*	*	*	-
ADDW	A	1	2	0	0	word (A) ← (AH) + (AL)	-	-	-	-	-	*	*	*	*	-
ADDW	A, ear	2	3	1	0	word (A) ← (A) +(ear)	-	-	-	-	-	*	*	*	*	-
ADDW	A, eam	2+	4+ (a)	0	(c)	word (A) ← (A) +(eam)	-	-	-	-	-	*	*	*	*	-
ADDW	A, #imm16	3	2	0	0	word (A) ← (A) +imm16	-	-	-	-	-	*	*	*	*	-
ADDW	ear, A	2	3	2	0	word (ear) ← (ear) + (A)	-	-	-	-	-	*	*	*	*	-
ADDW	eam, A	2+	5+ (a)	0	2× (c)	word (eam) ← (eam) + (A)	-	-	-	-	-	*	*	*	*	*
ADDCW	A, ear	2	3	1	0	word (A) ← (A) + (ear) + (C)	-	-	-	-	-	*	*	*	*	-
ADDCW	A, eam	2+	4+ (a)	0	(c)	word (A) ← (A) + (eam) + (C)	-	-	-	-	-	*	*	*	*	-
SUBW	A	1	2	0	0	word (A) ← (AH) - (AL)	-	-	-	-	-	*	*	*	*	-
SUBW	A, ear	2	3	1	0	word (A) ← (A) - (ear)	-	-	-	-	-	*	*	*	*	-
SUBW	A, eam	2+	4+ (a)	0	(c)	word (A) ← (A) - (eam)	-	-	-	-	-	*	*	*	*	-
SUBW	A, #imm16	3	2	0	0	word (A) ← (A) -imm16	-	-	-	-	-	*	*	*	*	-
SUBW	ear, A	2	3	2	0	word (ear) ← (ear) - (A)	-	-	-	-	-	*	*	*	*	-
SUBW	eam, A	2+	5+ (a)	0	2× (c)	word (eam) ← (eam) - (A)	-	-	-	-	-	*	*	*	*	*
SUBCW	A, ear	2	3	1	0	word (A) ← (A) - (ear) - (C)	-	-	-	-	-	*	*	*	*	-
SUBCW	A, eam	2+	4+ (a)	0	(c)	word (A) ← (A) - (eam) - (C)	-	-	-	-	-	*	*	*	*	-
ADDL	A, ear	2	6	2	0	long (A) ← (A) + (ear)	-	-	-	-	-	*	*	*	*	-
ADDL	A, eam	2+	7+ (a)	0	(d)	long (A) ← (A) + (eam)	-	-	-	-	-	*	*	*	*	-
ADDL	A, #imm32	5	4	0	0	long (A) ← (A) +imm32	-	-	-	-	-	*	*	*	*	-
SUBL	A, ear	2	6	2	0	long (A) ← (A) - (ear)	-	-	-	-	-	*	*	*	*	-
SUBL	A, eam	2+	7+ (a)	0	(d)	long (A) ← (A) - (eam)	-	-	-	-	-	*	*	*	*	-
SUBL	A, #imm32	5	4	0	0	long (A) ← (A) -imm32	-	-	-	-	-	*	*	*	*	-

Note: For an explanation of “(a)” to “(d)”, refer to Table 4, “Number of Execution Cycles for Each Type of Addressing,” and Table 5, “Correction Values for Number of Cycles Used to Calculate Number of Actual Cycles.”

MB90620A Series

Table 10 Increment and Decrement Instructions (Byte/Word/Long Word) [12 Instructions]

Mnemonic	#	~	R G	B	Operation	L H	A H	I	S	T	N	Z	V	C	RM W
INC ear	2	2	2	0	byte (ear) ← (ear) +1	–	–	–	–	–	*	*	*	–	–
INC eam	2+	5+ (a)	0	2× (b)	byte (eam) ← (eam) +1	–	–	–	–	–	*	*	*	–	*
DEC ear	2	3	2	0	byte (ear) ← (ear) –1	–	–	–	–	–	*	*	*	–	–
DEC eam	2+	5+ (a)	0	2× (b)	byte (eam) ← (eam) –1	–	–	–	–	–	*	*	*	–	*
INCW ear	2	3	2	0	word (ear) ← (ear) +1	–	–	–	–	–	*	*	*	–	–
INCW eam	2+	5+ (a)	0	2× (c)	word (eam) ← (eam) +1	–	–	–	–	–	*	*	*	–	*
DECW ear	2	3	2	0	word (ear) ← (ear) –1	–	–	–	–	–	*	*	*	–	–
DECW eam	2+	5+ (a)	0	2× (c)	word (eam) ← (eam) –1	–	–	–	–	–	*	*	*	–	*
INCL ear	2	7	4	0	long (ear) ← (ear) +1	–	–	–	–	–	*	*	*	–	–
INCL eam	2+	9+ (a)	0	2× (d)	long (eam) ← (eam) +1	–	–	–	–	–	*	*	*	–	*
DECL ear	2	7	4	0	long (ear) ← (ear) –1	–	–	–	–	–	*	*	*	–	–
DECL eam	2+	9+ (a)	0	2× (d)	long (eam) ← (eam) –1	–	–	–	–	–	*	*	*	–	*

Note: For an explanation of “(a)” to “(d)”, refer to Table 4, “Number of Execution Cycles for Each Type of Addressing,” and Table 5, “Correction Values for Number of Cycles Used to Calculate Number of Actual Cycles.”

Table 11 Compare Instructions (Byte/Word/Long Word) [11 Instructions]

Mnemonic	#	~	R G	B	Operation	L H	A H	I	S	T	N	Z	V	C	RM W
CMP A	1	1	0	0	byte (AH) – (AL)	–	–	–	–	–	*	*	*	*	–
CMP A, ear	2	2	1	0	byte (A) ← (ear)	–	–	–	–	–	*	*	*	*	–
CMP A, eam	2+	3+ (a)	0	(b)	byte (A) ← (eam)	–	–	–	–	–	*	*	*	*	–
CMP A, #imm8	2	2	0	0	byte (A) ← imm8	–	–	–	–	–	*	*	*	*	–
CMPW A	1	1	0	0	word (AH) – (AL)	–	–	–	–	–	*	*	*	*	–
CMPW A, ear	2	2	1	0	word (A) ← (ear)	–	–	–	–	–	*	*	*	*	–
CMPW A, eam	2+	3+ (a)	0	(c)	word (A) ← (eam)	–	–	–	–	–	*	*	*	*	–
CMPW A, #imm16	3	2	0	0	word (A) ← imm16	–	–	–	–	–	*	*	*	*	–
CMPL A, ear	2	6	2	0	word (A) ← (ear)	–	–	–	–	–	*	*	*	*	–
CMPL A, eam	2+	7+ (a)	0	(d)	word (A) ← (eam)	–	–	–	–	–	*	*	*	*	–
CMPL A, #imm32	5	3	0	0	word (A) ← imm32	–	–	–	–	–	*	*	*	*	–

Note: For an explanation of “(a)” to “(d)”, refer to Table 4, “Number of Execution Cycles for Each Type of Addressing,” and Table 5, “Correction Values for Number of Cycles Used to Calculate Number of Actual Cycles.”

Table 12 Multiplication and Division Instructions (Byte/Word/Long Word) [11 Instructions]

Mnemonic	#	~	R G	B	Operation	L H	A H	I	S	T	N	Z	V	C	RM W
DIVU	A	1	*1	0	0	word (AH) /byte (AL) Quotient → byte (AL) Remainder → byte (AH)	-	-	-	-	-	-	*	*	-
DIVU	A, ear	2	*2	1	0	word (A)/byte (ear) Quotient → byte (A) Remainder → byte (ear)	-	-	-	-	-	-	*	*	-
DIVU	A, eam	2+	*3	0	*6	word (A)/byte (eam) Quotient → byte (A) Remainder → byte (eam)	-	-	-	-	-	-	*	*	-
DIVUW	A, ear	2	*4	1	0	long (A)/word (ear) Quotient → word (A) Remainder → word (ear)	-	-	-	-	-	-	*	*	-
DIVUW	A, eam	2+	*5	0	*7	long (A)/word (eam) Quotient → word (A) Remainder → word (eam)	-	-	-	-	-	-	*	*	-
MULU	A	1	*8	0	0	byte (AH) *byte (AL) → word (A)	-	-	-	-	-	-	-	-	-
MULU	A, ear	2	*9	1	0	byte (A) *byte (ear) → word (A)	-	-	-	-	-	-	-	-	-
MULU	A, eam	2+	*10	0	(b)	byte (A) *byte (eam) → word (A)	-	-	-	-	-	-	-	-	-
MULUW	A	1	*11	0	0	word (AH) *word (AL) → long (A)	-	-	-	-	-	-	-	-	-
MULUW	A, ear	2	*12	1	0	word (A) *word (ear) → long (A)	-	-	-	-	-	-	-	-	-
MULUW	A, eam	2+	*13	0	(c)	word (A) *word (eam) → long (A)	-	-	-	-	-	-	-	-	-

*1: 3 when the result is zero, 7 when an overflow occurs, and 15 normally.

*2: 4 when the result is zero, 8 when an overflow occurs, and 16 normally.

*3: 6 + (a) when the result is zero, 9 + (a) when an overflow occurs, and 19 + (a) normally.

*4: 4 when the result is zero, 7 when an overflow occurs, and 22 normally.

*5: 6 + (a) when the result is zero, 8 + (a) when an overflow occurs, and 26 + (a) normally.

*6: (b) when the result is zero or when an overflow occurs, and 2 × (b) normally.

*7: (c) when the result is zero or when an overflow occurs, and 2 × (c) normally.

*8: 3 when byte (AH) is zero, and 7 when byte (AH) is not zero.

*9: 4 when byte (ear) is zero, and 8 when byte (ear) is not zero.

*10: 5 + (a) when byte (eam) is zero, and 9 + (a) when byte (eam) is not 0.

*11: 3 when word (AH) is zero, and 11 when word (AH) is not zero.

*12: 4 when word (ear) is zero, and 12 when word (ear) is not zero.

*13: 5 + (a) when word (eam) is zero, and 13 + (a) when word (eam) is not zero.

Note: For an explanation of “(a)” to “(d)”, refer to Table 4, “Number of Execution Cycles for Each Type of Addressing,” and Table 5, “Correction Values for Number of Cycles Used to Calculate Number of Actual Cycles.”

MB90620A Series

Table 13 Logical 1 Instructions (Byte/Word) [39 Instructions]

Mnemonic	#	~	R G	B	Operation	L H	A H	I	S	T	N	Z	V	C	RM W
AND A, #imm8	2	2	0	0	byte (A) ← (A) and imm8	—	—	—	—	—	*	*	R	—	—
AND A, ear	2	3	1	0	byte (A) ← (A) and (ear)	—	—	—	—	—	*	*	R	—	—
AND A, eam	2+	4+ (a)	0	(b)	byte (A) ← (A) and (eam)	—	—	—	—	—	*	*	R	—	—
AND ear, A	2	3	2	0	byte (ear) ← (ear) and (A)	—	—	—	—	—	*	*	R	—	—
AND eam, A	2+	5+ (a)	0	2× (b)	byte (eam) ← (eam) and (A)	—	—	—	—	—	*	*	R	—	*
OR A, #imm8	2	2	0	0	byte (A) ← (A) or imm8	—	—	—	—	—	*	*	R	—	—
OR A, ear	2	3	1	0	byte (A) ← (A) or (ear)	—	—	—	—	—	*	*	R	—	—
OR A, eam	2+	4+ (a)	0	(b)	byte (A) ← (A) or (eam)	—	—	—	—	—	*	*	R	—	—
OR ear, A	2	3	2	0	byte (ear) ← (ear) or (A)	—	—	—	—	—	*	*	R	—	—
OR eam, A	2+	5+ (a)	0	2× (b)	byte (eam) ← (eam) or (A)	—	—	—	—	—	*	*	R	—	*
XOR A, #imm8	2	2	0	0	byte (A) ← (A) xor imm8	—	—	—	—	—	*	*	R	—	—
XOR A, ear	2	3	1	0	byte (A) ← (A) xor (ear)	—	—	—	—	—	*	*	R	—	—
XOR A, eam	2+	4+ (a)	0	(b)	byte (A) ← (A) xor (eam)	—	—	—	—	—	*	*	R	—	—
XOR ear, A	2	3	2	0	byte (ear) ← (ear) xor (A)	—	—	—	—	—	*	*	R	—	—
XOR eam, A	2+	5+ (a)	0	2× (b)	byte (eam) ← (eam) xor (A)	—	—	—	—	—	*	*	R	—	*
NOT A	1	2	0	0	byte (A) ← not (A)	—	—	—	—	—	*	*	R	—	—
NOT ear	2	3	2	0	byte (ear) ← not (ear)	—	—	—	—	—	*	*	R	—	—
NOT eam	2+	5+ (a)	0	2× (b)	byte (eam) ← not (eam)	—	—	—	—	—	*	*	R	—	*
ANDW A	1	2	0	0	word (A) ← (AH) and (A)	—	—	—	—	—	*	*	R	—	—
ANDW A, #imm16	3	2	0	0	word (A) ← (A) and imm16	—	—	—	—	—	*	*	R	—	—
ANDW A, ear	2	3	1	0	word (A) ← (A) and (ear)	—	—	—	—	—	*	*	R	—	—
ANDW A, eam	2+	4+ (a)	0	(c)	word (A) ← (A) and (eam)	—	—	—	—	—	*	*	R	—	—
ANDW ear, A	2	3	2	0	word (ear) ← (ear) and (A)	—	—	—	—	—	*	*	R	—	—
ANDW eam, A	2+	5+ (a)	0	2× (c)	word (eam) ← (eam) and (A)	—	—	—	—	—	*	*	R	—	*
ORW A	1	2	0	0	word (A) ← (AH) or (A)	—	—	—	—	—	*	*	R	—	—
ORW A, #imm16	3	2	0	0	word (A) ← (A) or imm16	—	—	—	—	—	*	*	R	—	—
ORW A, ear	2	3	1	0	word (A) ← (A) or (ear)	—	—	—	—	—	*	*	R	—	—
ORW A, eam	2+	4+ (a)	0	(c)	word (A) ← (A) or (eam)	—	—	—	—	—	*	*	R	—	—
ORW ear, A	2	3	2	0	word (ear) ← (ear) or (A)	—	—	—	—	—	*	*	R	—	—
ORW eam, A	2+	5+ (a)	0	2× (c)	word (eam) ← (eam) or (A)	—	—	—	—	—	*	*	R	—	*
XORW A	1	2	0	0	word (A) ← (AH) xor (A)	—	—	—	—	—	*	*	R	—	—
XORW A, #imm16	3	2	0	0	word (A) ← (A) xor imm16	—	—	—	—	—	*	*	R	—	—
XORW A, ear	2	3	1	0	word (A) ← (A) xor (ear)	—	—	—	—	—	*	*	R	—	—
XORW A, eam	2+	4+ (a)	0	(c)	word (A) ← (A) xor (eam)	—	—	—	—	—	*	*	R	—	—
XORW ear, A	2	3	2	0	word (ear) ← (ear) xor (A)	—	—	—	—	—	*	*	R	—	—
XORW eam, A	2+	5+ (a)	0	2× (c)	word (eam) ← (eam) xor (A)	—	—	—	—	—	*	*	R	—	*
NOTW A	1	2	0	0	word (A) ← not (A)	—	—	—	—	—	*	*	R	—	—
NOTW ear	2	3	2	0	word (ear) ← not (ear)	—	—	—	—	—	*	*	R	—	—
NOTW eam	2+	5+ (a)	0	2× (c)	word (eam) ← not (eam)	—	—	—	—	—	*	*	R	—	*

Note: For an explanation of “(a)” to “(d)”, refer to Table 4, “Number of Execution Cycles for Each Type of Addressing,” and Table 5, “Correction Values for Number of Cycles Used to Calculate Number of Actual Cycles.”

Table 14 Logical 2 Instructions (Long Word) [6 Instructions]

Mnemonic	#	~	R G	B	Operation	L H	A H	I	S	T	N	Z	V	C	RM W
ANDL A, ear	2	6	2	0	long (A) ← (A) and (ear)	-	-	-	-	-	*	*	R	-	-
ANDL A, eam	2+	7+ (a)	0	(d)	long (A) ← (A) and (eam)	-	-	-	-	-	*	*	R	-	-
ORL A, ear	2	6	2	0	long (A) ← (A) or (ear)	-	-	-	-	-	*	*	R	-	-
ORL A, eam	2+	7+ (a)	0	(d)	long (A) ← (A) or (eam)	-	-	-	-	-	*	*	R	-	-
XORL A, ea	2	6	2	0	long (A) ← (A) xor (ear)	-	-	-	-	-	*	*	R	-	-
XORL A, eam	2+	7+ (a)	0	(d)	long (A) ← (A) xor (eam)	-	-	-	-	-	*	*	R	-	-

Table 15 Sign Inversion Instructions (Byte/Word) [6 Instructions]

Mnemonic	#	~	R G	B	Operation	L H	A H	I	S	T	N	Z	V	C	RM W
NEG A	1	2	0	0	byte (A) ← 0 - (A)	X	-	-	-	-	*	*	*	*	-
NEG ear	2	3	2	0	byte (ear) ← 0 - (ear)	-	-	-	-	-	*	*	*	*	-
NEG eam	2+	5+ (a)	0	2× (b)	byte (eam) ← 0 - (eam)	-	-	-	-	-	*	*	*	*	*
NEGW A	1	2	0	0	word (A) ← 0 - (A)	-	-	-	-	-	*	*	*	*	-
NEGW ear	2	3	2	0	word (ear) ← 0 - (ear)	-	-	-	-	-	*	*	*	*	-
NEGW eam	2+	5+ (a)	0	2× (c)	word (eam) ← 0 - (eam)	-	-	-	-	-	*	*	*	*	*

Table 16 Normalize Instruction (Long Word) [1 Instruction]

Mnemonic	#	~	RG	B	Operation	L H	A H	I	S	T	N	Z	V	C	RM W
NRML A, R0	2	*1	1	0	long (A) ← Shift until first digit is "1" byte (R0) ← Current shift count	-	-	-	-	-	-	*	-	-	-

*1: 4 when the contents of the accumulator are all zeroes, 6 + (R0) in all other cases (shift count).

Note: For an explanation of "(a)" to "(d)", refer to Table 4, "Number of Execution Cycles for Each Type of Addressing," and Table 5, "Correction Values for Number of Cycles Used to Calculate Number of Actual Cycles."

MB90620A Series

Table 17 Shift Instructions (Byte/Word/Long Word) [18 Instructions]

Mnemonic	#	~	R G	B	Operation	L H	A H	I	S	T	N	Z	V	C	RM W
RORC A	2	2	0	0	byte (A) ← Right rotation with carry	-	-	-	-	-	*	*	-	*	-
ROLC A	2	2	0	0	byte (A) ← Left rotation with carry	-	-	-	-	-	*	*	-	*	-
RORC ear	2	3	2	0	byte (ear) ← Right rotation with carry	-	-	-	-	-	*	*	-	*	-
RORC eam	2+	5+ (a)	0	2× (b)	byte (eam) ← Right rotation with carry	-	-	-	-	-	*	*	-	*	*
ROLC ear	2	3	2	0	byte (ear) ← Left rotation with carry	-	-	-	-	-	*	*	-	*	-
ROLC eam	2+	5+ (a)	0	2× (b)	byte (eam) ← Left rotation with carry	-	-	-	-	-	*	*	-	*	*
ASR A, R0	2	*1	1	0	byte (A) ← Arithmetic right barrel shift (A, R0)	-	-	-	-	*	*	*	-	*	-
LSR A, R0	2	*1	1	0	byte (A) ← Logical right barrel shift (A, R0)	-	-	-	-	*	*	*	-	*	-
LSL A, R0	2	*1	1	0	byte (A) ← Logical left barrel shift (A, R0)	-	-	-	-	*	*	*	-	*	-
ASRW A	1	2	0	0	word (A) ← Arithmetic right shift (A, 1 bit)	-	-	-	-	*	*	*	-	*	-
LSRW A/SHRW A	1	2	0	0	word (A) ← Logical right shift (A, 1 bit)	-	-	-	-	*	R	*	-	*	-
LSLW A/SHLW A	1	2	0	0	word (A) ← Logical left shift (A, 1 bit)	-	-	-	-	-	*	*	-	*	-
ASRW A, R0	2	*1	1	0	word (A) ← Arithmetic right barrel shift (A, R0)	-	-	-	-	*	*	*	-	*	-
LSRW A, R0	2	*1	1	0	word (A) ← Logical right barrel shift (A, R0)	-	-	-	-	*	*	*	-	*	-
LSLW A, R0	2	*1	1	0	word (A) ← Logical left barrel shift (A, R0)	-	-	-	-	*	*	*	-	*	-
ASRL A, R0	2	*2	1	0	long (A) ← Arithmetic right shift (A, R0)	-	-	-	-	*	*	*	-	*	-
LSRL A, R0	2	*2	1	0	long (A) ← Logical right barrel shift (A, R0)	-	-	-	-	*	*	*	-	*	-
LSLL A, R0	2	*2	1	0	long (A) ← Logical left barrel shift (A, R0)	-	-	-	-	*	*	*	-	*	-

*1: 6 when R0 is 0, 5 + (R0) in all other cases.

*2: 6 when R0 is 0, 6 + (R0) in all other cases.

Note: For an explanation of “(a)” to “(d)”, refer to Table 4, “Number of Execution Cycles for Each Type of Addressing,” and Table 5, “Correction Values for Number of Cycles Used to Calculate Number of Actual Cycles.”

Table 18 Branch 1 Instructions [31 Instructions]

Mnemonic	#	~	RG	B	Operation	L H	A H	I	S	T	N	Z	V	C	RM W
BZ/BEQ	rel	2	*1	0	0	Branch when (Z) = 1	-	-	-	-	-	-	-	-	-
BNZ/BNE	rel	2	*1	0	0	Branch when (Z) = 0	-	-	-	-	-	-	-	-	-
BC/BLO	rel	2	*1	0	0	Branch when (C) = 1	-	-	-	-	-	-	-	-	-
BNC/BHS	rel	2	*1	0	0	Branch when (C) = 0	-	-	-	-	-	-	-	-	-
BN	rel	2	*1	0	0	Branch when (N) = 1	-	-	-	-	-	-	-	-	-
BP	rel	2	*1	0	0	Branch when (N) = 0	-	-	-	-	-	-	-	-	-
BV	rel	2	*1	0	0	Branch when (V) = 1	-	-	-	-	-	-	-	-	-
BNV	rel	2	*1	0	0	Branch when (V) = 0	-	-	-	-	-	-	-	-	-
BT	rel	2	*1	0	0	Branch when (T) = 1	-	-	-	-	-	-	-	-	-
BNT	rel	2	*1	0	0	Branch when (T) = 0	-	-	-	-	-	-	-	-	-
BLT	rel	2	*1	0	0	Branch when (V) xor (N) = 1	-	-	-	-	-	-	-	-	-
BGE	rel	2	*1	0	0	Branch when (V) xor (N) = 0	-	-	-	-	-	-	-	-	-
BLE	rel	2	*1	0	0	Branch when ((V) xor (N)) or (Z) = 1	-	-	-	-	-	-	-	-	-
BGT	rel	2	*1	0	0	Branch when ((V) xor (N)) or (Z) = 0	-	-	-	-	-	-	-	-	-
BLS	rel	2	*1	0	0	Branch when (C) or (Z) = 1	-	-	-	-	-	-	-	-	-
BHI	rel	2	*1	0	0	Branch when (C) or (Z) = 0	-	-	-	-	-	-	-	-	-
BRA	rel	2	*1	0	0	Branch unconditionally	-	-	-	-	-	-	-	-	-
JMP	@A	1		0	0	word (PC) ← (A)	-	-	-	-	-	-	-	-	-
JMP	addr16	3	2	0	0	word (PC) ← addr16	-	-	-	-	-	-	-	-	-
JMP	@ear	2	3	1	0	word (PC) ← (ear)	-	-	-	-	-	-	-	-	-
JMP	@eam	2+	3	0	(c)	word (PC) ← (eam)	-	-	-	-	-	-	-	-	-
JMPP	@ear *3	2	4+ (a)	2	0	word (PC) ← (ear), (PCB) ← (ear +2)	-	-	-	-	-	-	-	-	-
JMPP	@eam *3	2+	5	0	(d)	word (PC) ← (eam), (PCB) ← (eam +2)	-	-	-	-	-	-	-	-	-
JMPP	addr24	4	6+ (a)	0	0	word (PC) ← ad24 0 to 15, (PCB) ← ad24 16 to 23	-	-	-	-	-	-	-	-	-
CALL	@ear *4	2	6	1	(c)	word (PC) ← (ear)	-	-	-	-	-	-	-	-	-
CALL	@eam *4	2+	6	0	2× (c)	word (PC) ← (eam)	-	-	-	-	-	-	-	-	-
CALL	addr16 *5	3	7+ (a)	0	(c)	word (PC) ← addr16	-	-	-	-	-	-	-	-	-
CALLV	#vct4 *5	1	6	0	2× (c)	Vector call instruction	-	-	-	-	-	-	-	-	-
CALLP	@ear *6	2	7	2	2× (c)	word (PC) ← (ear) 0 to 15 (PCB) ← (ear) 16 to 23	-	-	-	-	-	-	-	-	-
CALLP	@eam *6	2+	10	0	*2	word (PC) ← (eam) 0 to 15 (PCB) ← (eam) 16 to 23	-	-	-	-	-	-	-	-	-
CALLP	addr24 *7	4	11+ (a)	0	2× (c)	word (PC) ← addr0 to 15, (PCB) ← addr16 to 23	-	-	-	-	-	-	-	-	-

*1: 4 when branching, 3 when not branching.

*2: (b) + 3 × (c)

*3: Read (word) branch address.

*4: W: Save (word) to stack; R: read (word) branch address.

*5: Save (word) to stack.

*6: W: Save (long word) to W stack; R: read (long word) R branch address.

*7: Save (long word) to stack.

Note: For an explanation of “(a)” to “(d)”, refer to Table 4, “Number of Execution Cycles for Each Type of Addressing,” and Table 5, “Correction Values for Number of Cycles Used to Calculate Number of Actual Cycles.”

MB90620A Series

Table 19 Branch 2 Instructions [19 Instructions]

Mnemonic	#	~	RG	B	Operation	L H	A H	I	S	T	N	Z	V	C	RM W
CBNE A, #imm8, rel	3	*1	0	0	Branch when byte (A) ≠ imm8	-	-	-	-	-	*	*	*	*	-
CWBNE A, #imm16, rel	4	*1	0	0	Branch when word (A) ≠ imm16	-	-	-	-	-	*	*	*	*	-
CBNE ear, #imm8, rel	4	*2	1	0	Branch when byte (ear) ≠ imm8	-	-	-	-	-	*	*	*	*	-
CBNE eam, #imm8, rel*9	4+	*3	0	(b)	Branch when byte (eam) ≠ imm8	-	-	-	-	-	*	*	*	*	-
CWBNE ear, #imm16, rel	5	*4	1	0	Branch when word (ear) ≠ imm16	-	-	-	-	-	*	*	*	*	-
CWBNE eam, #imm16, rel*9	5+	*3	0	(c)	Branch when word (eam) ≠ imm16	-	-	-	-	-	*	*	*	*	-
DBNZ ear, rel	3	*5	2	0	Branch when byte (ear) = (ear) - 1, and (ear) ≠ 0	-	-	-	-	-	*	*	*	-	-
DBNZ eam, rel	3+	*6	2	2× (b)	Branch when byte (eam) = (eam) - 1, and (eam) ≠ 0	-	-	(b)	-	-	*	*	*	-	*
DWBNZ ear, rel	3	*5	2	0	Branch when word (ear) = (ear) - 1, and (ear) ≠ 0	-	-	-	-	-	*	*	*	-	-
DWBNZ eam, rel	3+	*6	2	2× (c)	Branch when word (eam) = (eam) - 1, and (eam) ≠ 0	-	-	-	-	-	*	*	*	-	*
INT #vct8	2	20	0	8× (c)	Software interrupt	-	-	R	S	-	-	-	-	-	-
INT addr16	3	16	0	6× (c)	Software interrupt	-	-	R	S	-	-	-	-	-	-
INTP addr24	4	17	0	6× (c)	Software interrupt	-	-	R	S	-	-	-	-	-	-
INT9	1	20	0	8× (c)	Software interrupt	-	-	R	S	-	-	-	-	-	-
RETI	1	15	0	6× (c)	Return from interrupt	-	-	*	*	*	*	*	*	*	-
LINK #local8	2	6	0	(c)	At constant entry, save old frame pointer to stack, set new frame pointer, and allocate local pointer area	-	-	-	-	-	-	-	-	-	-
UNLINK	1	5	0	(c)	At constant entry, retrieve old frame pointer from stack.	-	-	-	-	-	-	-	-	-	-
RET *7	1	4	0	(c)	Return from subroutine	-	-	-	-	-	-	-	-	-	-
RETP *8	1	6	0	(d)	Return from subroutine	-	-	-	-	-	-	-	-	-	-

- *1: 5 when branching, 4 when not branching
- *2: 13 when branching, 12 when not branching
- *3: 7 + (a) when branching, 6 + (a) when not branching
- *4: 8 when branching, 7 when not branching
- *5: 7 when branching, 6 when not branching
- *6: 8 + (a) when branching, 7 + (a) when not branching
- *7: Retrieve (word) from stack
- *8: Retrieve (long word) from stack
- *9: In the CBNE/CWBNE instruction, do not use the RWj+ addressing mode.

Note: For an explanation of “(a)” to “(d)”, refer to Table 4, “Number of Execution Cycles for Each Type of Addressing,” and Table 5, “Correction Values for Number of Cycles Used to Calculate Number of Actual Cycles.”

Table 20 Other Control Instructions (Byte/Word/Long Word) [28 Instructions]

Mnemonic	#	~	RG	B	Operation	LH	AH	I	S	T	N	Z	V	C	RMW
PUSHW A	1	4	0	(c)	word (SP) ← (SP) -2, ((SP)) ← (A)	-	-	-	-	-	-	-	-	-	-
PUSHW AH	1	4	0	(c)	word (SP) ← (SP) -2, ((SP)) ← (AH)	-	-	-	-	-	-	-	-	-	-
PUSHW PS	1	4	0	(c)	word (SP) ← (SP) -2, ((SP)) ← (PS)	-	-	-	-	-	-	-	-	-	-
PUSHW rlst	2	*3	*5	*4	(SP) ← (SP) -2n, ((SP)) ← (rlst)	-	-	-	-	-	-	-	-	-	-
POPW A	1	3	0	(c)	word (A) ← ((SP)), (SP) ← (SP) +2	-	*	-	-	-	-	-	-	-	-
POPW AH	1	3	0	(c)	word (AH) ← ((SP)), (SP) ← (SP) +2	-	-	-	-	-	-	-	-	-	-
POPW PS	1	4	0	(c)	word (PS) ← ((SP)), (SP) ← (SP) +2	-	-	*	*	*	*	*	*	*	*
POPW rlst	2	*2	*5	*4	(rlst) ← ((SP)), (SP) ← (SP) +2n	-	-	-	-	-	-	-	-	-	-
JCTX @A	1	14	0	6× (c)	Context switch instruction	-	-	*	*	*	*	*	*	*	-
AND CCR, #imm8	2	3	0	0	byte (CCR) ← (CCR) and imm8	-	-	*	*	*	*	*	*	*	-
OR CCR, #imm8	2	3	0	0	byte (CCR) ← (CCR) or imm8	-	-	*	*	*	*	*	*	*	-
MOV RP, #imm8	2	2	0	0	byte (RP) ← imm8	-	-	-	-	-	-	-	-	-	-
MOV ILM, #imm8	2	2	0	0	byte (ILM) ← imm8	-	-	-	-	-	-	-	-	-	-
MOVEA RWi, ear	2	3	1	0	word (RWi) ← ear	-	-	-	-	-	-	-	-	-	-
MOVEA RWi, eam	2+	2+ (a)	1	0	word (RWi) ← eam	-	-	-	-	-	-	-	-	-	-
MOVEA A, ear	2	1	0	0	word (A) ← ear	-	*	-	-	-	-	-	-	-	-
MOVEA A, eam	2+	1+ (a)	0	0	word (A) ← eam	-	*	-	-	-	-	-	-	-	-
ADDSP #imm8	2	3	0	0	word (SP) ← (SP) +ext (imm8)	-	-	-	-	-	-	-	-	-	-
ADDSP #imm16	3	3	0	0	word (SP) ← (SP) +imm16	-	-	-	-	-	-	-	-	-	-
MOV A, brgl	2	*1	0	0	byte (A) ← (brgl)	Z	*	-	-	-	*	*	-	-	-
MOV brg2, A	2	1	0	0	byte (brg2) ← (A)	-	-	-	-	-	*	*	-	-	-
NOP	1	1	0	0	No operation	-	-	-	-	-	-	-	-	-	-
ADB	1	1	0	0	Prefix code for accessing AD space	-	-	-	-	-	-	-	-	-	-
DTB	1	1	0	0	Prefix code for accessing DT space	-	-	-	-	-	-	-	-	-	-
PCB	1	1	0	0	Prefix code for accessing PC space	-	-	-	-	-	-	-	-	-	-
SPB	1	1	0	0	Prefix code for accessing SP space	-	-	-	-	-	-	-	-	-	-
NCC	1	1	0	0	Prefix code for no flag change	-	-	-	-	-	-	-	-	-	-
CMR	1	1	0	0	Prefix code for common register bank	-	-	-	-	-	-	-	-	-	-

*1: PCB, ADB, SSB, USB, and SPB : 1 state
DTB, DPR : 2 states

*2: $7 + 3 \times (\text{pop count}) + 2 \times (\text{last register number to be popped})$, 7 when rlst = 0 (no transfer register)

*3: $29 + (\text{push count}) - 3 \times (\text{last register number to be pushed})$, 8 when rlst = 0 (no transfer register)

*4: Pop count × (c), or push count × (c)

*5: Pop count or push count.

Note: For an explanation of “(a)” to “(d)”, refer to Table 4, “Number of Execution Cycles for Each Type of Addressing,” and Table 5, “Correction Values for Number of Cycles Used to Calculate Number of Actual Cycles.”

MB90620A Series

Table 21 Bit Manipulation Instructions [21 Instructions]

Mnemonic	#	~	RG	B	Operation	L H	A H	I	S	T	N	Z	V	C	RM W
MOVB A, dir:bp	3	5	0	(b)	byte (A) ← (dir:bp) b	Z	*	-	-	-	*	*	-	-	-
MOVB A, addr16:bp	4	5	0	(b)	byte (A) ← (addr16:bp) b	Z	*	-	-	-	*	*	-	-	-
MOVB A, io:bp	3	4	0	(b)	byte (A) ← (io:bp) b	Z	*	-	-	-	*	*	-	-	-
MOVB dir:bp, A	3	7	0	2× (b)	bit (dir:bp) b ← (A)	-	-	-	-	-	*	*	-	-	*
MOVB addr16:bp, A	4	7	0	2× (b)	bit (addr16:bp) b ← (A)	-	-	-	-	-	*	*	-	-	*
MOVB io:bp, A	3	6	0	2× (b)	bit (io:bp) b ← (A)	-	-	-	-	-	*	*	-	-	*
SETB dir:bp	3	7	0	2× (b)	bit (dir:bp) b ← 1	-	-	-	-	-	-	-	-	-	*
SETB addr16:bp	4	7	0	2× (b)	bit (addr16:bp) b ← 1	-	-	-	-	-	-	-	-	-	*
SETB io:bp	3	7	0	2× (b)	bit (io:bp) b ← 1	-	-	-	-	-	-	-	-	-	*
CLRB dir:bp	3	7	0	2× (b)	bit (dir:bp) b ← 0	-	-	-	-	-	-	-	-	-	*
CLRB addr16:bp	4	7	0	2× (b)	bit (addr16:bp) b ← 0	-	-	-	-	-	-	-	-	-	*
CLRB io:bp	3	7	0	2× (b)	bit (io:bp) b ← 0	-	-	-	-	-	-	-	-	-	*
BBC dir:bp, rel	4	*1	0	(b)	Branch when (dir:bp) b = 0	-	-	-	-	-	-	*	-	-	-
BBC addr16:bp, rel	5	*1	0	(b)	Branch when (addr16:bp) b = 0	-	-	-	-	-	-	*	-	-	-
BBC io:bp, rel	4	*2	0	(b)	Branch when (io:bp) b = 0	-	-	-	-	-	-	*	-	-	-
BBS dir:bp, rel	4	*1	0	(b)	Branch when (dir:bp) b = 1	-	-	-	-	-	-	*	-	-	-
BBS addr16:bp, rel	5	*1	0	(b)	Branch when (addr16:bp) b = 1	-	-	-	-	-	-	*	-	-	-
BBS io:bp, rel	4	*2	0	(b)	Branch when (io:bp) b = 1	-	-	-	-	-	-	*	-	-	-
SBBS addr16:bp, rel	5	*3	0	2× (b)	Branch when (addr16:bp) b = 1, bit = 1	-	-	-	-	-	-	*	-	-	*
WBTS io:bp	3	*4	0	*5	Wait until (io:bp) b = 1	-	-	-	-	-	-	-	-	-	-
WBTC io:bp	3	*4	0	*5	Wait until (io:bp) b = 0	-	-	-	-	-	-	-	-	-	-

*1: 8 when branching, 7 when not branching

*2: 7 when branching, 6 when not branching

*3: 10 when condition is satisfied, 9 when not satisfied

*4: Undefined count

*5: Until condition is satisfied

Note: For an explanation of “(a)” to “(d)”, refer to Table 4, “Number of Execution Cycles for Each Type of Addressing,” and Table 5, “Correction Values for Number of Cycles Used to Calculate Number of Actual Cycles.”

Table 22 Accumulator Manipulation Instructions (Byte/Word) [6 Instructions]

Mnemonic	#	~	R G	B	Operation	L H	A H	I	S	T	N	Z	V	C	RM W
SWAP	1	3	0	0	byte (A) 0 to 7 ↔ (A) 8 to 15	–	–	–	–	–	–	–	–	–	–
SWAPW/XCHW AL, AH	1	2	0	0	word (AH) ↔ (AL)	–	*	–	–	–	–	–	–	–	–
EXT	1	1	0	0	byte sign extension	X	–	–	–	–	*	*	–	–	–
EXTW	1	2	0	0	word sign extension	–	X	–	–	–	*	*	–	–	–
ZEXT	1	1	0	0	byte zero extension	Z	–	–	–	–	R	*	–	–	–
ZEXTW	1	1	0	0	word zero extension	–	Z	–	–	–	R	*	–	–	–

Table 23 String Instructions [10 Instructions]

Mnemonic	#	~	R G	B	Operation	L H	A H	I	S	T	N	Z	V	C	RM W
MOVS/MOVS	2	*2	*5	*3	Byte transfer @AH+ ← @AL+, counter = RW0	–	–	–	–	–	–	–	–	–	–
MOVSD	2	*2	*5	*3	Byte transfer @AH– ← @AL–, counter = RW0	–	–	–	–	–	–	–	–	–	–
SCEQ/SCEQI	2	*1	*5	*4	Byte retrieval (@AH+) – AL, counter = RW0	–	–	–	–	–	*	*	*	*	–
SCEQD	2	*1	*5	*4	Byte retrieval (@AH–) – AL, counter = RW0	–	–	–	–	–	*	*	*	*	–
FISL/FILSI	2	6m +6	*5	*3	Byte filling @AH+ ← AL, counter = RW0	–	–	–	–	–	*	*	–	–	–
MOVSW/MOVSWI	2	*2	*8	*6	Word transfer @AH+ ← @AL+, counter = RW0	–	–	–	–	–	–	–	–	–	–
MOVSWD	2	*2	*8	*6	Word transfer @AH– ← @AL–, counter = RW0	–	–	–	–	–	–	–	–	–	–
SCWEQ/SCWEQI	2	*1	*8	*7	Word retrieval (@AH+) – AL, counter = RW0	–	–	–	–	–	*	*	*	*	–
SCWEQD	2	*1	*8	*7	Word retrieval (@AH–) – AL, counter = RW0	–	–	–	–	–	*	*	*	*	–
FILSW/FILSWI	2	6m +6	*8	*6	Word filling @AH+ ← AL, counter = RW0	–	–	–	–	–	*	*	–	–	–

m: RW0 value (counter value)

n: Loop count

*1: 5 when RW0 is 0, $4 + 7 \times (RW0)$ for count out, and $7 \times n + 5$ when match occurs

*2: 5 when RW0 is 0, $4 + 8 \times (RW0)$ in any other case

*3: $(b) \times (RW0) + (b) \times (RW0)$ when accessing different areas for the source and destination, calculate (b) separately for each.

*4: $(b) \times n$

*5: $2 \times (RW0)$

*6: $(c) \times (RW0) + (c) \times (RW0)$ when accessing different areas for the source and destination, calculate (c) separately for each.

*7: $(c) \times n$

*8: $2 \times (RW0)$

Note: For an explanation of “(a)” to “(d)”, refer to Table 4, “Number of Execution Cycles for Each Type of Addressing,” and Table 5, “Correction Values for Number of Cycles Used to Calculate Number of Actual Cycles.”

MB90620A Series

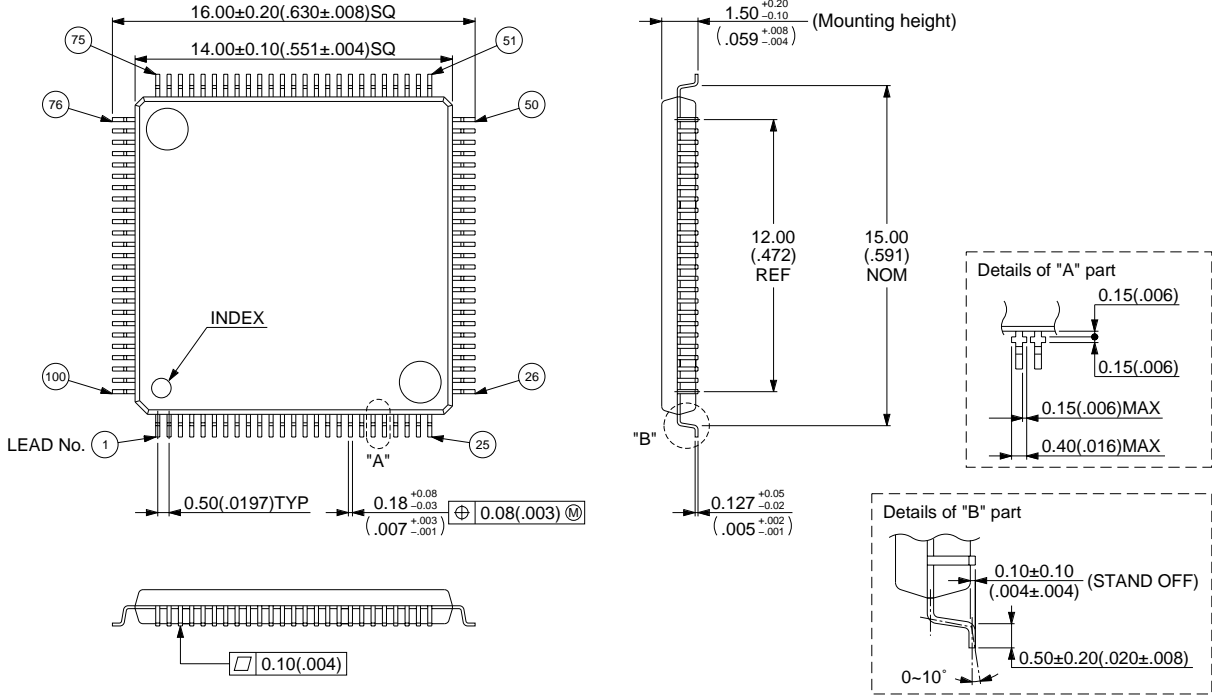
■ ORDERING INFORMATION

Model	Package	Remarks
MB90622PFV MB90623PFV MB90P623PFV	100-pin Plastic LQFP (FPT-100P-M05)	

MB90620A Series

■ PACKAGE DIMENSIONS

100-pin Plastic LQFP
(FPT-100P-M05)



© 1995 FUJITSU LIMITED F100007S-2C-3

Dimension in mm (inches)

MB90620A Series

FUJITSU LIMITED

For further information please contact:

Japan

FUJITSU LIMITED
Corporate Global Business Support Division
Electronic Devices
KAWASAKI PLANT, 4-1-1, Kamikodanaka
Nakahara-ku, Kawasaki-shi
Kanagawa 211-88, Japan
Tel: (044) 754-3763
Fax: (044) 754-3329

North and South America

FUJITSU MICROELECTRONICS, INC.
Semiconductor Division
3545 North First Street
San Jose, CA 95134-1804, U.S.A.
Tel: (408) 922-9000
Fax: (408) 432-9044/9045

Europe

FUJITSU MIKROELEKTRONIK GmbH
Am Siebenstein 6-10
63303 Dreieich-Buchsschlag
Germany
Tel: (06103) 690-0
Fax: (06103) 690-122

Asia Pacific

FUJITSU MICROELECTRONICS ASIA PTE. LIMITED
#05-08, 151 Lorong Chuan
New Tech Park
Singapore 556741
Tel: (65) 281-0770
Fax: (65) 281-0220

F9704

© FUJITSU LIMITED Printed in Japan

All Rights Reserved.

The contents of this document are subject to change without notice. Customers are advised to consult with FUJITSU sales representatives before ordering.

The information and circuit diagrams in this document presented as examples of semiconductor device applications, and are not intended to be incorporated in devices for actual use. Also, FUJITSU is unable to assume responsibility for infringement of any patent rights or other rights of third parties arising from the use of this information or circuit diagrams.

FUJITSU semiconductor devices are intended for use in standard applications (computers, office automation and other office equipment, industrial, communications, and measurement equipment, personal or household devices, etc.).

CAUTION:

Customers considering the use of our products in special applications where failure or abnormal operation may directly affect human lives or cause physical injury or property damage, or where extremely high levels of reliability are demanded (such as aerospace systems, atomic energy controls, sea floor repeaters, vehicle operating controls, medical devices for life support, etc.) are requested to consult with FUJITSU sales representatives before such use. The company will not be responsible for damages arising from such use without prior approval.

Any semiconductor devices have inherently a certain rate of failure. You must protect against injury, damage or loss from such failures by incorporating safety design measures into your facility and equipment such as redundancy, fire protection, and prevention of over-current levels and other abnormal operating conditions.

If any products described in this document represent goods or technologies subject to certain restrictions on export under the Foreign Exchange and Foreign Trade Control Law of Japan, the prior authorization by Japanese government should be required for export of those products from Japan.