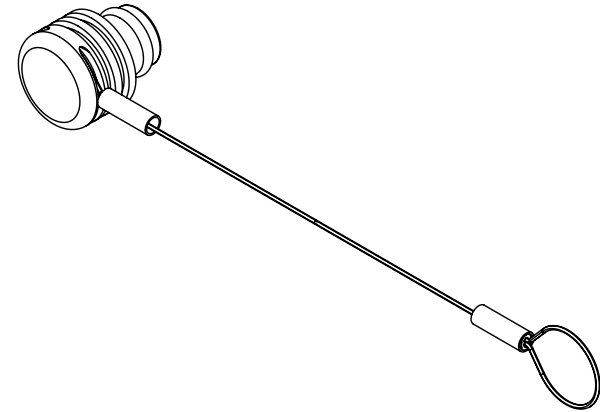
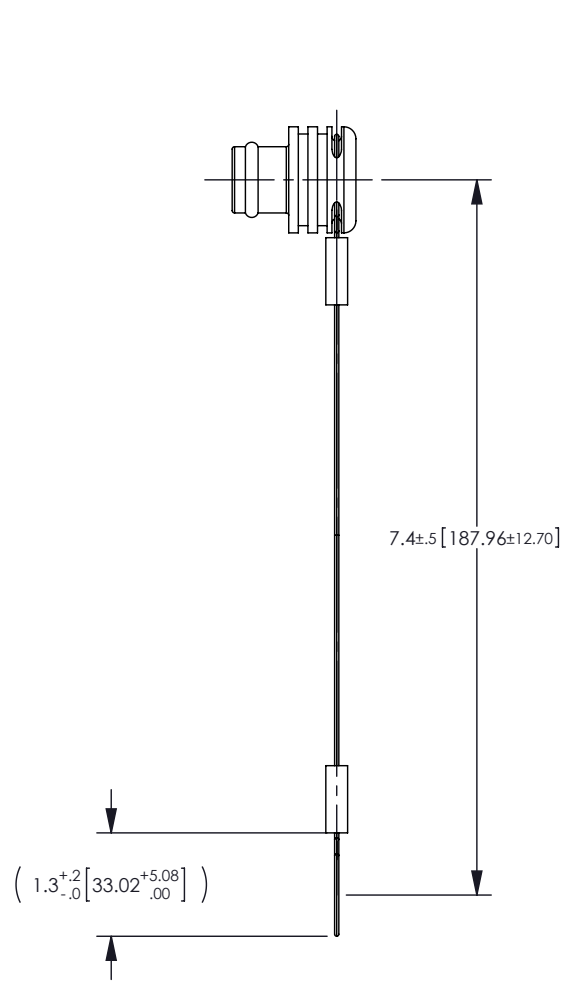


NOTES: UNLESS OTHERWISE SPECIFIED

1. MATERIAL SPECIFICATIONS:
 BOOT AND CAP: SANTOPRENE 101-55
 LANYARD AND CRIMP SLEEVE: STAINLESS STEEL
 SHRINK TUBING: POLYOLEFIN
2. REPLACEMENT ENVIRONMENTAL RUBBER CAP AND LANYARD FOR SMPTE 304 JACK
3. FITS 7763-3-3 AND 7763-4-3, FIBER TRI-LOC SMPTE 304 JACKS ALREADY EQUIPPED WITH ENVIRONMENTAL BOOT

REV	DESCRIPTION	BY DATE	APPD
B	REVISED PER ER26608	09/13/10 JCF	XXX



CATALOG P/N: 7760-000-00707Z

PER ASME Y14.5M-1994 UNLESS OTHERWISE SPECIFIED: DIMENSIONS ARE IN INCHES [MM] TOLERANCES: DECIMAL: X [X.X] ± .2 [5] .XX [X.XX] ± .05 [1.3] .XXX [X.XXX] ± .XXX ANGLES: ± 2° SCALE: 1:2				 by WINCHESTER ELECTRONICS		Winchester Electronics Corporation 62 Barnes Industrial Road North Wallingford, Connecticut 06492	
CUSTOMER SALES DRAWING				THIRD ANGLE		FIBER TRI-LOC JACK RUBBER CAP AND LANYARD	
DRAWN	DATE	APPROVED	DATE	A	SD7760-000-00707Z	SHT OF 1 1	REV B
JJN	02/22/10	WPM	02/22/10				
APPROVED	DATE	APPROVED	DATE				
JF	02/22/10	XXX	XX/XX/XX				