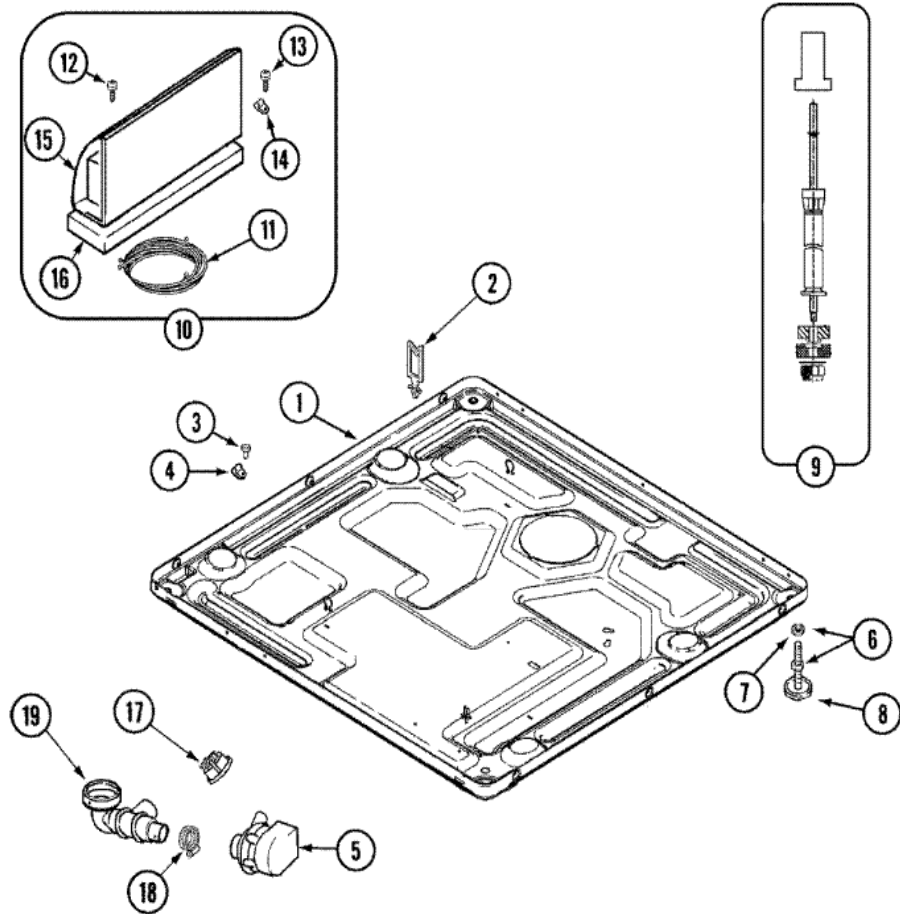


Distribuidor Autorizado

SurteRápido.com

Venta de Refacciones  
Electrodomesticas

# MAH21PNDWW BASE

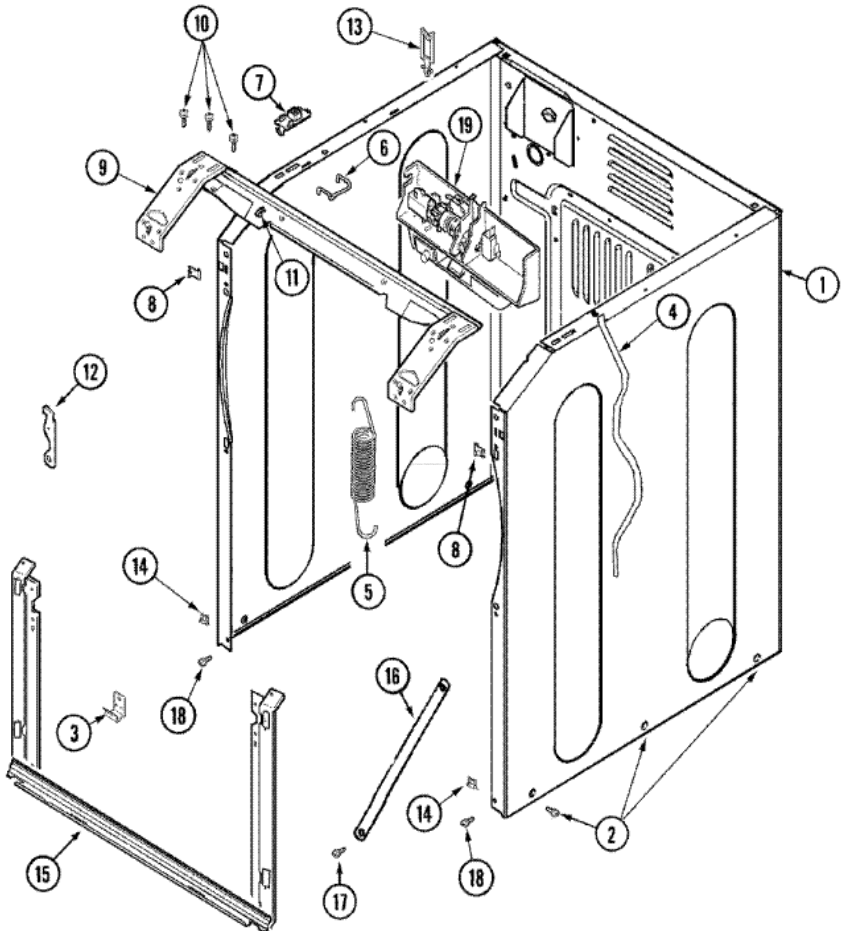




## MAH21PNDWW BASE

|    |          |                                    |
|----|----------|------------------------------------|
| 1  | 22003298 | RETAINER, WIRE (S/P)               |
| 1  | 22003435 | COMMERCIAL BASE WELD ASSY (S/P)    |
| 2  | 22003298 | RETAINER, WIRE (S/P)               |
| 3  | 212276   | SCREW (S/P)                        |
| 4  | 22002014 | CLIP (S/P)                         |
| 5  | 25001052 | PUMP                               |
| 5  | 22002853 | CLAMP, HOSE (S/P)                  |
| 5  | 22003268 | CAP, RUBBER (S/P)                  |
| 6  | 22003544 | ADJUSTABLE LEG W/FOOT & NUT        |
| 7  | Y052740  | NUT (S/P)                          |
| 8  | 210684   | FOOT, RUBBER                       |
| 9  | 22001988 | STRUT ASSY-REAR                    |
| 10 | 22004046 | CONTROL ASSY., MOTOR               |
| 10 | 22004473 | MOTOR CONTROL ASSEMBLY             |
| 11 | 22004212 | HARNESS, MOTOR/MOTOR CONTROL (S/P) |
| 12 | 212276   | SCREW (S/P)                        |
| 13 | 210720   | RIVET (S/P)                        |
| 14 | 22002014 | CLIP, WIRE HARNESS (S/P)           |
| 15 | 22003777 | MOTOR CONTROL DRIP SHIELD (S/P)    |
| 15 | 22003773 | SHIELD, MOTOR CONTROL BOARD (S/P)  |
| 16 | 22003548 | BRACKET, MTG. (SR MOTOR CTL) (S/P) |
| 17 | 22003728 | SWITCH, PRESSURE                   |
| 18 | 22001984 | CLAMP, DRAIN HOSE (S/P)            |
| 19 | 22003262 | HOSE, TUB TO PUMP                  |
| 19 | 22002053 | CLAMP, SUMP HOSE (S/P)             |

**MAH21PNDWW GABINETE**





## MAH21PNDWW GABINETE

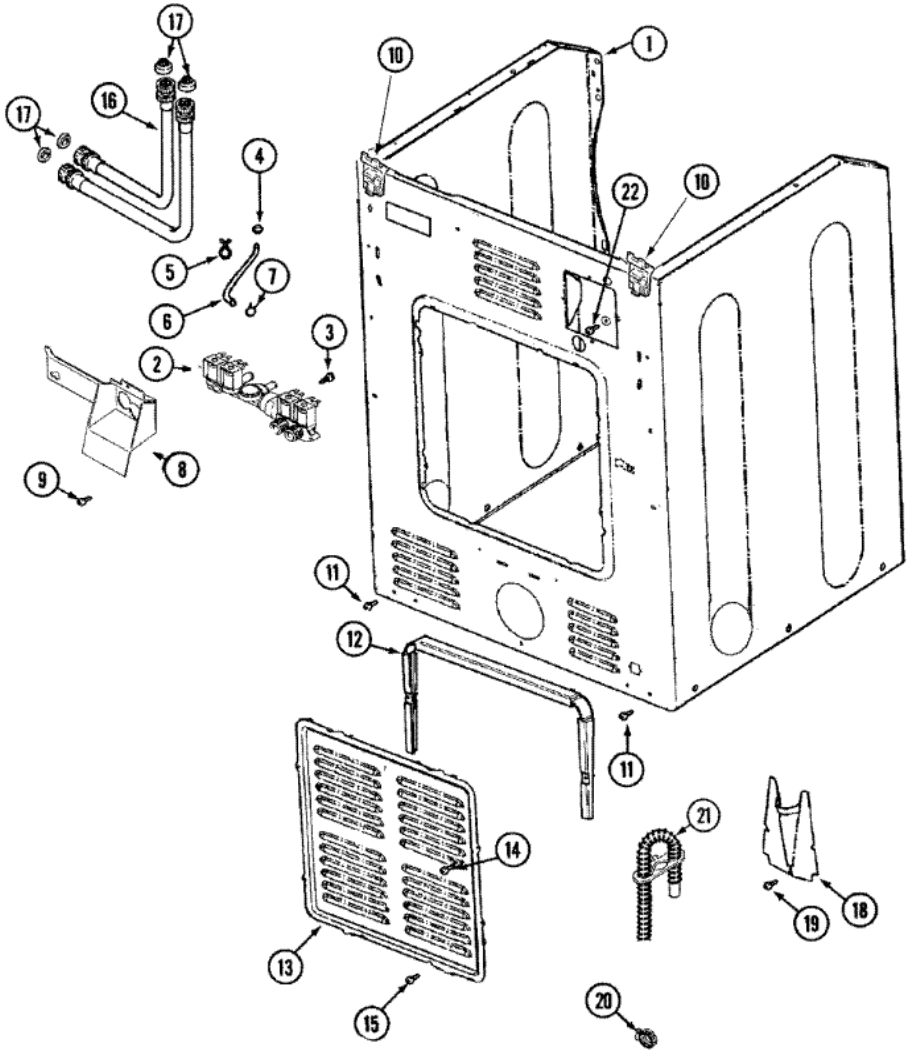
|    |          |                                 |
|----|----------|---------------------------------|
| 1  | 22003639 | <b>DESCONTINUADO</b>            |
| 2  | 22003409 | <b>DESCONTINUADO</b>            |
| 3  | 22002239 | CLIP, LOWER FRONT PANEL (S/P)   |
| 4  | 33001836 | STRAP, TOP COVER SUPPORT (S/P)  |
| 5  | 22003254 | SPRING, CABINET (S/P)           |
| 6  | 22002297 | SUPPORT, SPRING (S/P)           |
| 7  | 22001997 | SPACER, TOP COVER (S/P)         |
| 8  | 22002049 | CLIP (S/P)                      |
| 9  | 22003637 | BRACE ASSEMBLY, TOP CROSS (S/P) |
| 10 | 22001995 | SCREW (S/P)                     |
| 11 | 22002014 | CLIP (S/P)                      |
| 12 | 33002597 | HOOK, SECURITY (S/P)            |
| 13 | 22003298 | RETAINER, WIRE (S/P)            |
| 14 | 22002013 | STOP, SHIPPING (S/P)            |
| 15 | 22003652 | SHROUD SUPPORT ASSEMBLY (S/P)   |
| 16 | 22002767 | BRACE, CROSS (S/P)              |
| 17 | 22001995 | SCREW (S/P)                     |
| 18 | 22001995 | SCREW (S/P)                     |
| 19 | 22003706 | DOOR LOCK ASSEMBLY, COMMERCIAL  |

Distribuidor Autorizado

SurteRápido.com

Venta de Refacciones  
Electrodomesticas

## MAH21PNDWW GABINETE





## MAH21PNDWW GABINETE

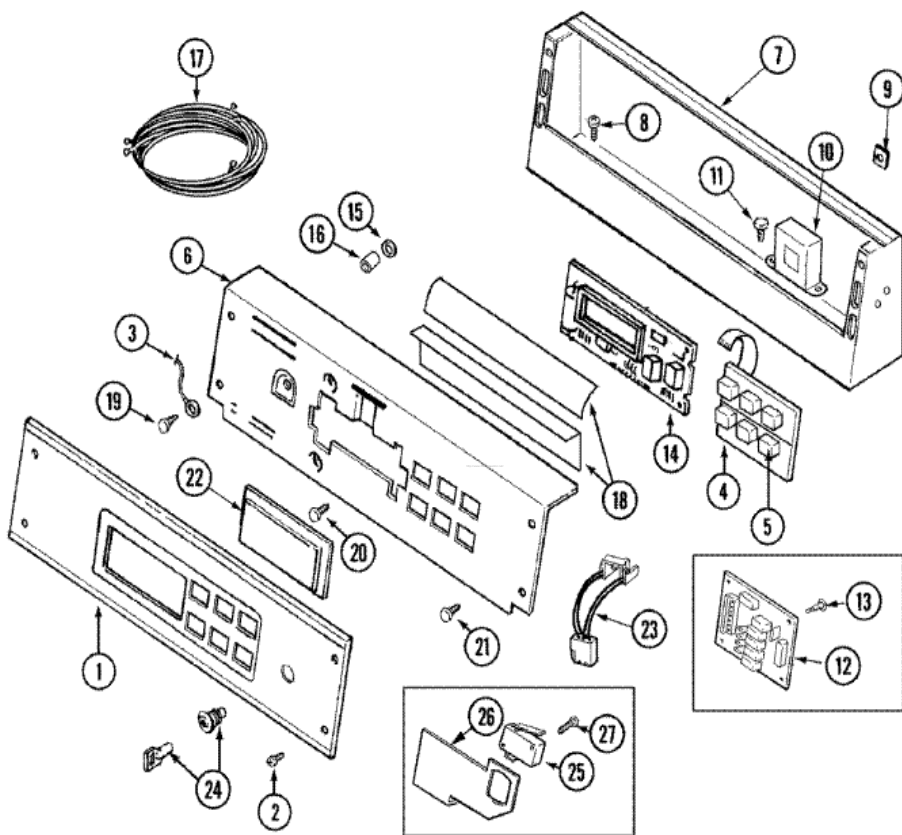
|    |          |                                       |
|----|----------|---------------------------------------|
| 1  | 22003639 | <b>DESCONTINUADO</b>                  |
| 2  | 22003940 | VALVE, WATER (S/P)                    |
| 3  | 22002925 | SCREW (S/P)                           |
| 4  | 22002054 | CLAMP, STEPLESS (S/P)                 |
| 5  | 22003707 | CABLE, TIE (S/P)                      |
| 6  | 22002083 | HOSE, INJECTOR                        |
| 7  | 216169   | CLAMP, HOSE-INJEC.HOSE TO VALVE (S/P) |
| 8  | 33002212 | BRACKET, WATER VALVE (S/P)            |
| 9  | 22002436 | SCREW (S/P)                           |
| 10 | 22004095 | HINGE, PLASTIC                        |
| 11 | 22001995 | SCREW (S/P)                           |
| 12 | 22002022 | SPACER, ACCESS PANEL (S/P)            |
| 13 | 22004355 | REAR ACCESS PANEL (S/P)               |
| 13 | 22002092 | PANEL, ACCESS (S/P)                   |
| 14 | 22002295 | SCREW (S/P)                           |
| 15 | 22001996 | SCREW (S/P)                           |
| 16 | 12001901 | INLET HOSE ASSY. (COLD) (S/P)         |
| 16 | 12001900 | INLET HOSE ASSY. (HOT) (S/P)          |
| 17 | 12001413 | STRAINER & WASHER KIT (S/P)           |
| 18 | 22002704 | COVER, DRAIN HOSE (S/P)               |
| 19 | 22001995 | SCREW (S/P)                           |
| 20 | 22001984 | CLAMP, DRAIN HOSE (S/P)               |
| 21 | 22002892 | RETAINER, DRAIN HOSE (S/P)            |
| 21 | 12001807 | DRAIN HOSE REPLACEMENT(NEPTUN)        |
| 22 | 33001245 | <b>DESCONTINUADO</b>                  |

Distribuidor Autorizado

SurteRápido.com

Venta de Refacciones  
Electrodomesticas

# MAH21PNDWW TABLERO



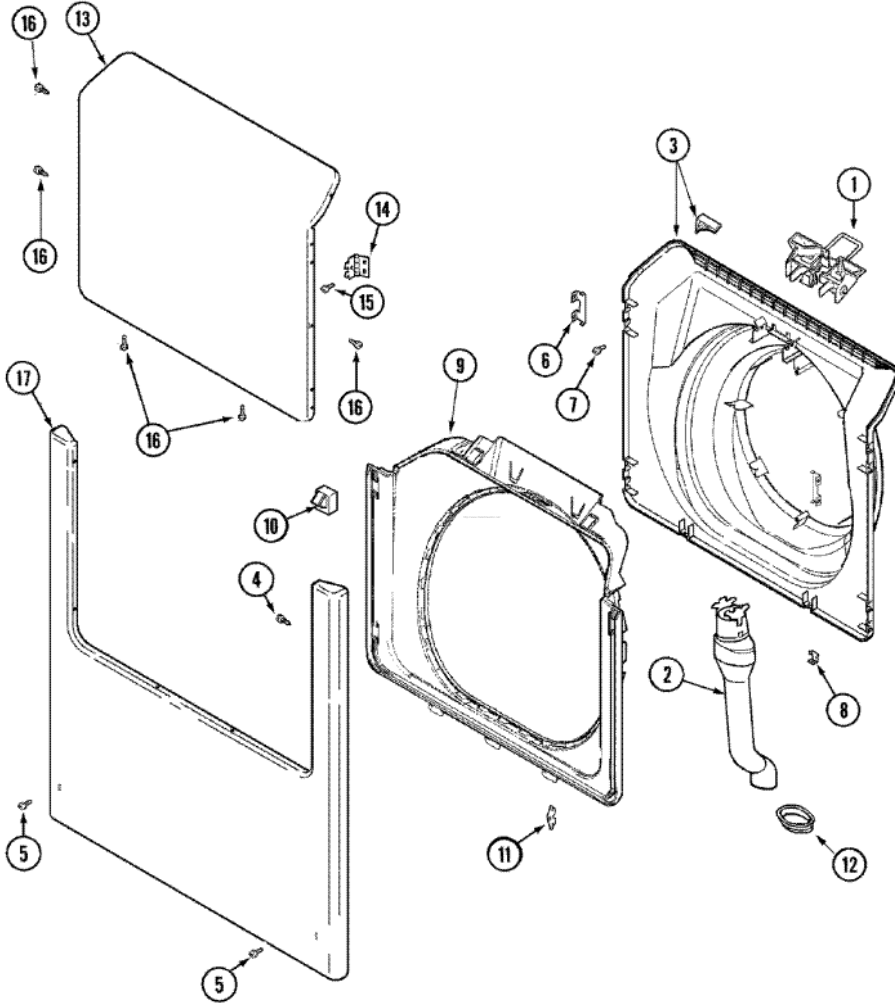


**MAH21PNDWW TABLERO**

|    |          |                                     |
|----|----------|-------------------------------------|
| 1  | 22004350 | FACIA - PN (CONTROL PANEL) (S/P)    |
| 2  | 215506   | SCREW, TORX (S/P)                   |
| 3  | 205810   | WIRE, GROUND (S/P)                  |
| 4  | 206808   | CONTROL SWITCH ASSY. (S/P)          |
| 4  | 215527   | SCREW (S/P)                         |
| 5  | 33002863 | BUTTON, PUSH                        |
| 6  | 22003697 | <b>DESCONTINUADO</b>                |
| 7  | 22003101 | <b>DESCONTINUADO</b>                |
| 8  | 22002925 | SCREW (S/P)                         |
| 9  | 215003   | FASTENER (S/P)                      |
| 10 | 22001960 | TRANSFORMER                         |
| 11 | 22001419 | NUT (ELASTIC) (S/P)                 |
| 11 | 22002925 | SCREW (S/P)                         |
| 12 | 22004171 | <b>DESCONTINUADO</b>                |
| 13 | 22002943 | STAND-OFF (S/P)                     |
| 14 | 22003700 | CONTROL BOARD                       |
| 15 | 912077   | LOCKNUT (S/P)                       |
| 16 | 33001204 | <b>DESCONTINUADO</b>                |
| 17 | 22004052 | HARNESS UPPER SUB ASSY (S/P)        |
| 17 | Y2205141 | HARNESS, WIRE (S/P)                 |
| 17 | 22003934 | <b>DESCONTINUADO</b>                |
| 18 | 22002954 | DEFLECTOR, WATER (W/ADHESIVE) (S/P) |
| 19 | 211252   | SCREW (S/P)                         |
| 20 | 215526   | SCREW (S/P)                         |
| 21 | 215527   | SCREW (S/P)                         |
| 22 | 22001962 | COVER, DISPLAY (S/P)                |
| 23 | 33002090 | <b>DESCONTINUADO</b>                |
| 24 | Y206081  | LOCK FOR ACCESS DOOR (S/P)          |
| 24 | 213750   | LOCKING CAM (S/P)                   |
| 25 | 22002367 | <b>DESCONTINUADO</b>                |
| 26 | 33001982 | <b>DESCONTINUADO</b>                |
| 27 | 22002368 | <b>DESCONTINUADO</b>                |



**MAH21PNDWW PUERTA**





**MAH21PNDWW PUERTA**

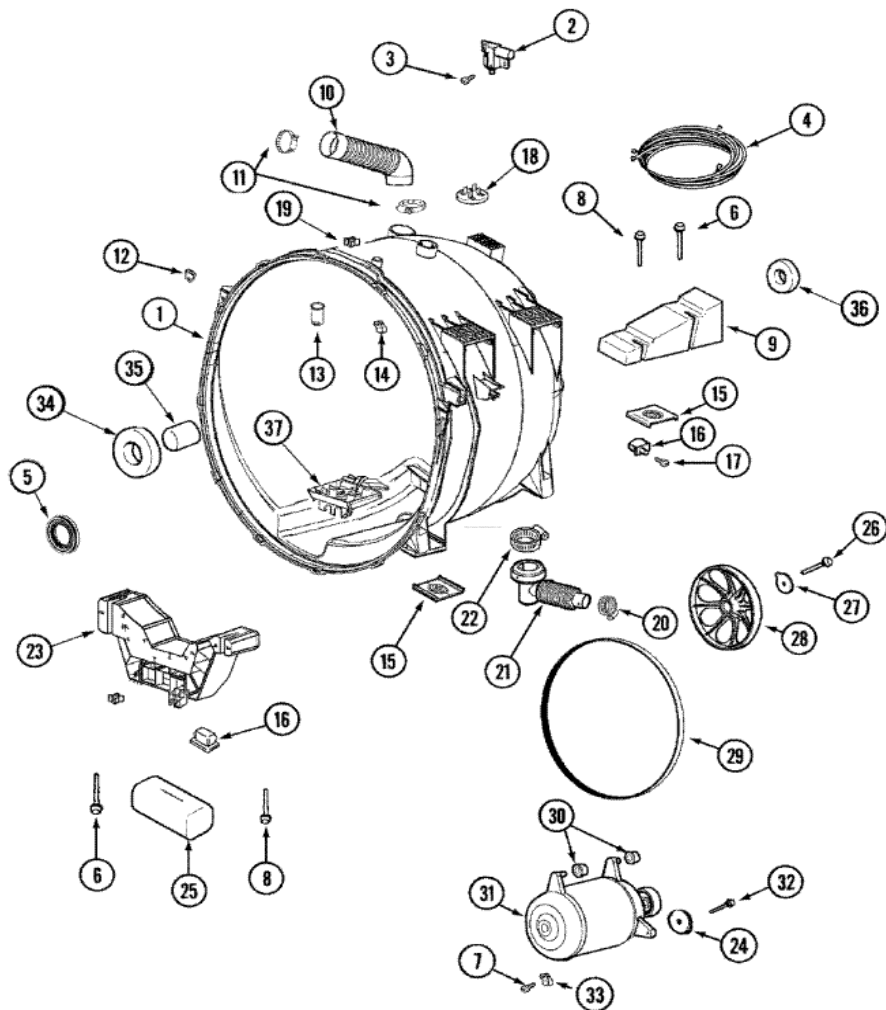
|    |          |                                 |
|----|----------|---------------------------------|
| 1  | 22003269 | DOOR, LOCK HOOP ASSEMBLY (S/P)  |
| 2  | 22003850 | VENT TUBE ASSEMBLY (S/P)        |
| 3  | 22003275 | DOOR, INNER (WHT)               |
| 4  | 22002244 | CLIP, GROUNDING (S/P)           |
| 5  | 33002190 | SCREW (No.10-3/8``) (S/P)       |
| 6  | 22002038 | CLIP, DOOR (DOUBLE) (S/P)       |
| 7  | 22002007 | SCREW (S/P)                     |
| 8  | 22002039 | CLIP, DOOR (SINGLE) (S/P)       |
| 9  | 22002234 | <b>DESCONTINUADO</b>            |
| 10 | 22002836 | PANEL, FRONT (WHT) (S/P)        |
| 11 | 33001764 | COVER, HINGE HOLE (WHT) (S/P)   |
| 11 | 33001846 | SCREW (S/P)                     |
| 12 | 22003075 | GROMMET, VENT TUBE (S/P)        |
| 13 | 22002333 | LABEL, OPEN DOOR (WASHER) (S/P) |
| 13 | 22003785 | DOOR, OUTER (WHT) (S/P)         |
| 14 | 22002798 | HINGE, DOOR (S/P)               |
| 15 | 22002243 | SCREW (S/P)                     |
| 15 | 22002244 | CLIP, GROUNDING (S/P)           |
| 15 | 22002062 | SCREW (S/P)                     |
| 16 | 22002063 | SCREW (S/P)                     |

Distribuidor Autorizado

SurteRápido.com

Venta de Refacciones  
Electrodomesticas

MAH21PNDWW TINA





## MAH21PNDWW TINA

|    |          |                                       |
|----|----------|---------------------------------------|
| 1  | 22002061 | SCREW (S/P)                           |
| 1  | 22004465 | OUTER TUB ASSY, AS PACK (S/P)         |
| 2  | 22003302 | SWITCH, INTERNAL UNBALANCE (S/P)      |
| 3  | 912615   | SCREW, No.8X1/2 HEX WASHER HEAD (S/P) |
| 3  | 22002061 | SCREW (S/P)                           |
| 4  | 22004052 | HARNESS UPPER SUB ASSY (S/P)          |
| 5  | 12002022 | LIP SEAL KIT                          |
| 6  | 22003615 | BOLT, DOUBLE SEMS 5-3/8 (S/P)         |
| 6  | 33002973 | SCREW, No.9-15 X 1.00 HX WS (S/P)     |
| 7  | 22002019 | SCREW (S/P)                           |
| 8  | 33002973 | SCREW, No.9-15 X 1.00 HX WS (S/P)     |
| 8  | 22003616 | BOLT, DOUBLE SEMS 3-3/8 (S/P)         |
| 9  | 22002102 | WEIGHT, COUNTER BALANCE (S/P)         |
| 10 | 22002083 | HOSE, INJECTOR                        |
| 11 | 22003627 | CLAMP, STEPLESS (S/P)                 |
| 12 | 22002103 | CLIP, U (S/P)                         |
| 13 | 22002954 | DEFLECTOR, WATER (W/ADHESIVE) (S/P)   |
| 14 | 22002006 | CLIP (S/P)                            |
| 15 | 22002065 | NUT, COUNTER BALANCE (S/P)            |
| 16 | 22002044 | SWITCH, TUB DISPLACEMENT (S/P)        |
| 17 | 22002061 | SCREW (S/P)                           |
| 18 | 22002061 | SCREW (S/P)                           |
| 18 | 22002797 | CLIP, HOSE (SADDLE HORN) (S/P)        |
| 19 | 22002006 | CLIP (S/P)                            |
| 19 | 22002019 | SCREW (S/P)                           |
| 20 | 22001984 | CLAMP, DRAIN HOSE (S/P)               |
| 21 | 22003262 | HOSE, TUB TO PUMP                     |
| 22 | 22002053 | CLAMP, SUMP HOSE (S/P)                |
| 23 | 22004472 | LOWER BRACKET (S/P)                   |
| 23 | 33002973 | SCREW, No.9-15 X 1.00 HX WS (S/P)     |
| 24 | 22002320 | WASHER, STRUT (S/P)                   |
| 25 | 22003827 | CUSHION (S/P)                         |
| 26 | 22002057 | SCREW, SPINNER (S/P)                  |

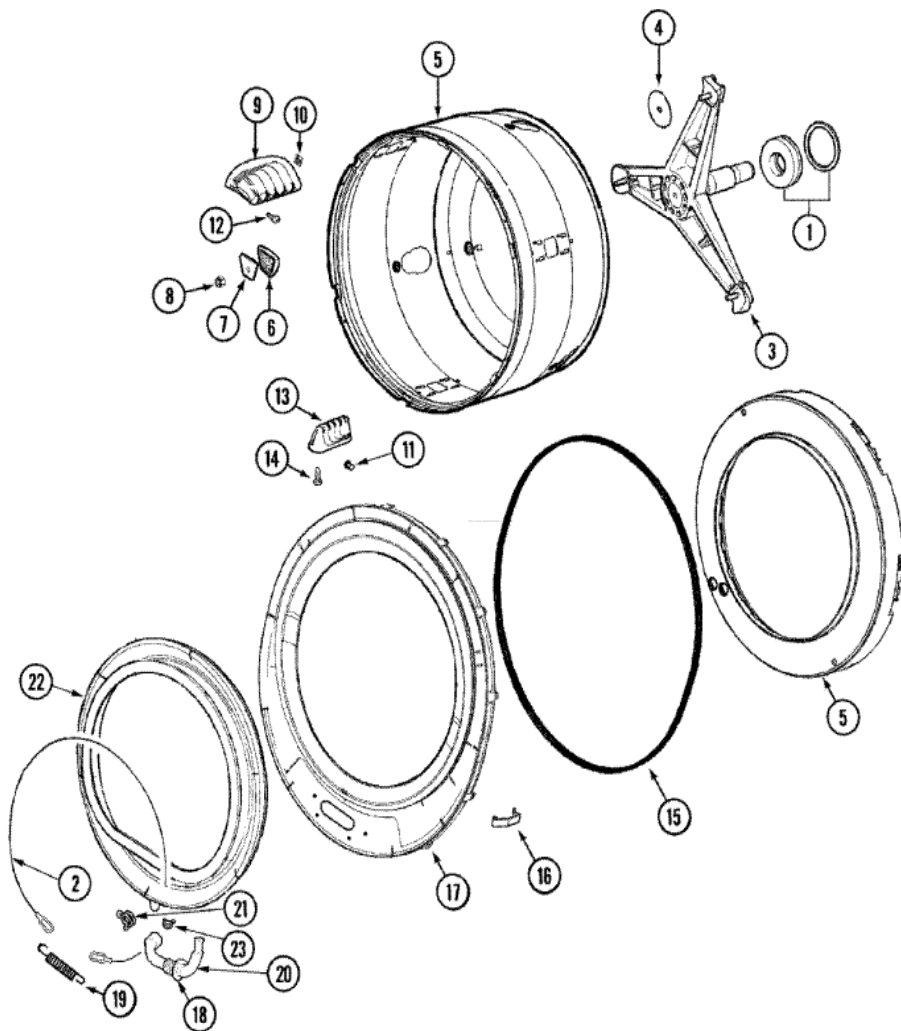
|    |          |                                     |
|----|----------|-------------------------------------|
| 27 | 22003936 | WASHER (1 1/4") (S/P)               |
| 28 | 22002315 | PULLEY, SPINNER                     |
| 29 | 12001788 | BELT, DRIVE                         |
| 30 | 22003329 | ISOLATOR, MOTOR (S/P)               |
| 31 | 22003856 | MOTOR, VARIABLE SPEED               |
| 32 | 22003686 | BOLT, MOTOR (S/P)                   |
| 33 | 22002006 | CLIP (S/P)                          |
| 34 | 24001015 | BEARING, FRONT                      |
| 35 | 22002935 | SPACER, BEARING (S/P)               |
| 36 | 22003441 | BEARING, REAR                       |
| 37 | 22003710 | SUMP CAP W/ LABYRINTH FEATURE (S/P) |
| 37 | 22002059 | SCREW (S/P)                         |

Distribuidor Autorizado

SurteRápido.com

Venta de Refacciones  
Electrodomesticas

## MAH21PNDWW SELLOS

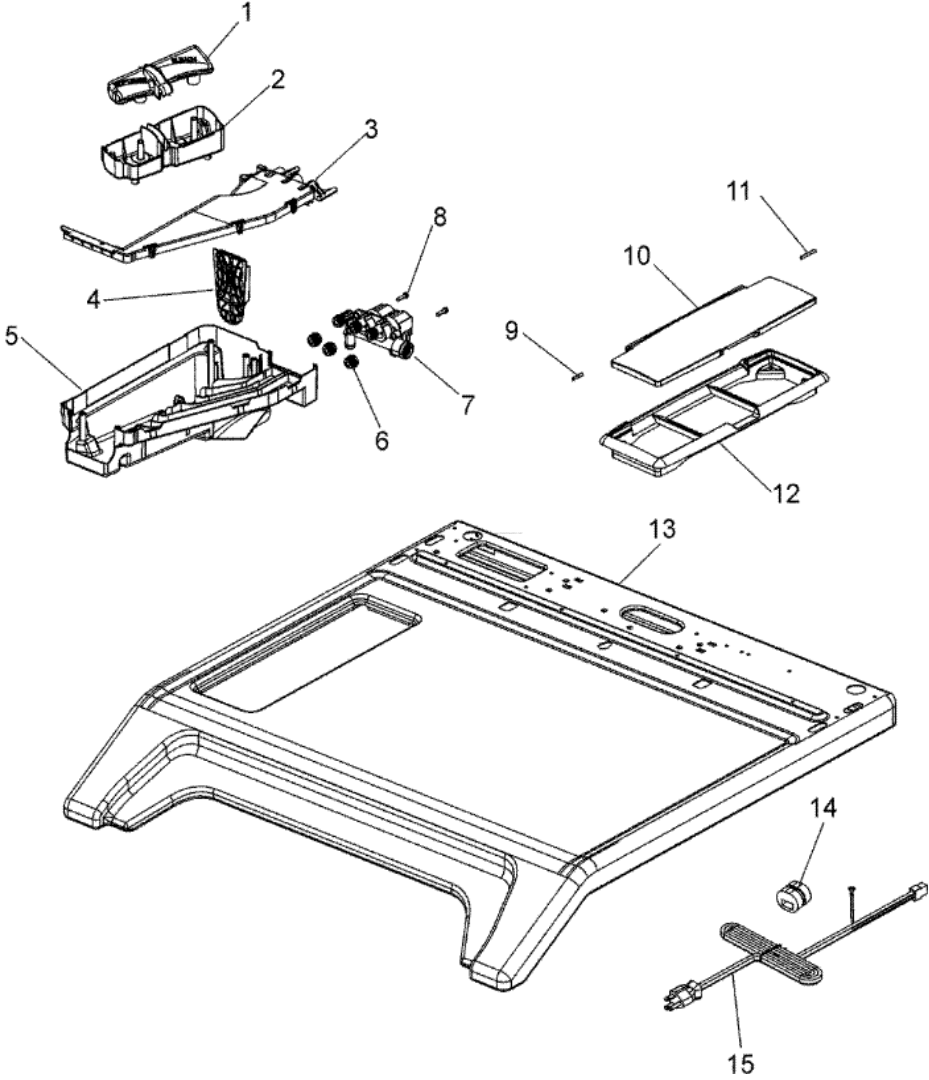




## MAH21PNDWW SELLOS

|    |          |                                |
|----|----------|--------------------------------|
| 1  | 12002022 | LIP SEAL KIT                   |
| 2  | 22002327 | BOOT CABLE CLAMP (S/P)         |
| 3  | 22002123 | TUBE, MOLYKOTE (S/P)           |
| 3  | 22002897 | SPINNER SUPPORT ASSY AS-PK KIT |
| 4  | 22002023 | WASHER, PLASTIC (S/P)          |
| 5  | 22003670 | SPINNER ASSY. (W/BALANCE RING) |
| 6  | 22002482 | WASHER, PROFILE (S/P)          |
| 7  | 22002020 | WASHER, SPINNER SUPPORT (S/P)  |
| 8  | 2207454  | NUT, SPINNER ATTACHMENT (S/P)  |
| 9  | 22001985 | BAFFLE, DRIP (REAR) (S/P)      |
| 10 | 22002009 | GROMMET, BAFFLE (REAR) (S/P)   |
| 11 | 22001999 | GROMMET, BAFFLE (FRT) (S/P)    |
| 12 | 22003556 | SCREW (S/P)                    |
| 13 | 22001986 | BAFFLE, DRIP (FRONT) (S/P)     |
| 14 | 22002059 | SCREW (S/P)                    |
| 15 | 22002077 | SEAL, TUB COVER (S/P)          |
| 16 | 22002050 | CLIP, TUB TO COVER (S/P)       |
| 17 | 22004254 | ASSY., TUB COVER & SEAL (S/P)  |
| 18 | 22003074 | GUARD, HOSE (S/P)              |
| 19 | 22002099 | SPRING, TUB (S/P)              |
| 20 | 22004477 | DOOR BOOT DRAIN HOSE           |
| 21 | 22003072 | CLAMP, HOSE DOUBLE WIRE (S/P)  |
| 22 | 22003893 | DOOR BOOT, BLACK (S/P)         |
| 23 | 22003073 | CLAMP, HOSE DOUBLE WIRE (S/P)  |
| 24 | 22003081 | PLUG (S/P)                     |

**MAH21PNDWW TAPA**







## MAH21PNDWW TAPA

|    |          |                                |
|----|----------|--------------------------------|
| 1  | 22003849 | SIPHON CAP (S/P)               |
| 2  | 22003848 | SIPHON CUP (S/P)               |
| 3  | 22003845 | DISPENSER COVER (FLUME) (S/P)  |
| 4  | 22003321 | GRID, DISPENSER (S/P)          |
| 5  | 22003844 | DISPENSER BOTTOM (S/P)         |
| 6  | 22003847 | VALVE SEAL (S/P)               |
| 7  | 22003835 | <b>DESCONTINUADO</b>           |
| 7  | 12001930 | DISPENSER VALVE (S/P)          |
| 8  | 22002243 | SCREW (S/P)                    |
| 9  | Y912679  | PIN, HINGE (SHORT) (S/P)       |
| 10 | 22002941 | LID, DISPENSER (S/P)           |
| 11 | Y912678  | PIN, HINGE (LONG) (S/P)        |
| 12 | 22003665 | BEZEL, DISPENSER (S/P)         |
| 13 | 22004180 | COVER, TOP (WHT-AS PK) (S/P)   |
| 14 | 211881   | GROMMET, CORD (S/P)            |
| 15 | 22003062 | CORD, POWER (AS WRAPPED) (S/P) |