

**PLEASE CHECK WWW.MOLEX.COM FOR LATEST PART INFORMATION**

**Part Number:** [0190670069](#)  
**Status:** **Active**  
**Description:** NylaKrimp™ Funnel Entry Ring Tongue Terminal for 6 AWG Wire, Stud #5

**Documents:**

[Drawing \(PDF\)](#) [RoHS Certificate of Compliance \(PDF\)](#)

**Agency Certification**

CSA LR18689  
 UL E32244

**General**

Product Family Ring and Spade Terminals  
 Series [19067](#)  
 Comments Type II Insulated; Class 2  
 Crimp Quality Equipment Yes  
 Mil-Spec AS25036-119, MS25036-119  
 Product Name NylaKrimp™  
 Type Ring

**Physical**

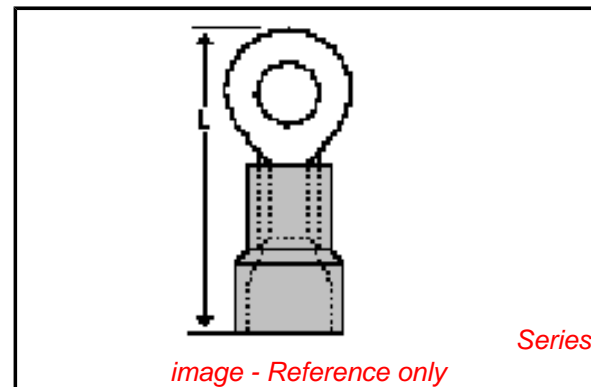
Barrel Type Closed - Brazed  
 Flammability 94V-0  
 Insulation Nylon (PA)  
 Material - Plating Mating Tin  
 Packaging Type Bag  
 Plating min: Mating (µin) 100  
 Plating min: Mating (µm) 2.5  
 Plating min: Termination (µin) 100  
 Plating min: Termination (µm) 2.5  
 Stud Size 10 (M5)  
 Termination Interface: Style Crimp or Compression  
 Wire Insulation Diameter 10.87mm (.428") max.  
 Wire Size AWG 6

**Material Info**

Old Part Number E-960-10

**Reference - Drawing Numbers**

Sales Drawing SD-19067-016



**EU RoHS**

**ELV and RoHS  
 Compliant**

**REACH SVHC  
 Contains SVHC: No  
 Halogen-Free  
 Status**

**Not Reviewed**

**China RoHS**



**Need more information on product  
 environmental compliance?**

Email [productcompliance@molex.com](mailto:productcompliance@molex.com)  
 For a multiple part number RoHS Certificate of  
 Compliance, [click here](#)

Please visit the [Contact Us](#) section for any  
 non-product compliance questions.

**Search Parts in this Series**

[19067Series](#)

**Application Tooling | [FAQ](#)**

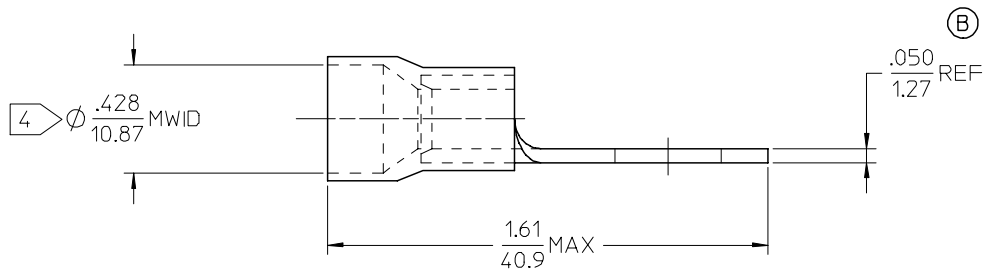
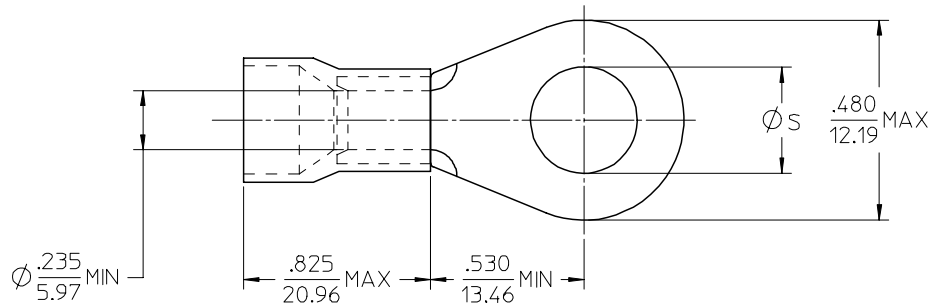
*Tooling specifications and manuals are  
 found by selecting the products below.  
 Crimp Height Specifications are then  
 contained in the Application Tooling  
 Specification document.*

**Global**

Description	Product #
Manual Putt Pump Hydraulic System, Die set required	<a href="#">0192860117</a>
Die Set (large) for the HHLS Hydraulic Crimper	<a href="#">0192890004</a>
Putt Pump Dieless Head System	<a href="#">0192860065</a>
Hand Crimp Tool	<a href="#">0640013900</a>

**PLEASE CHECK [WWW.MOLEX.COM](http://WWW.MOLEX.COM) FOR LATEST PART INFORMATION**

MATERIAL NO.	ENG. NO.	STUD SIZE	$\phi S \pm .005/0.13$
190670067	E-960-08	8	.173/4.39
190670069	E-960-10	10	.198/5.03
190670071	E-960-14	1/4	.265/6.73
190670073	E-960-56	5/16	.328/8.33



NOTE(S):

1. TERMINAL MATERIAL: COPPER ALLOY.
2. TERMINAL FINISH: ELECTRO TIN PLATE.
3. INSULATION MATERIAL: NYLON, COLOR CODED BLUE.

$\square$  MWID = MAXIMUM WIRE INSULATION DIAMETER.

$\textcircled{B}$  5. ALL COMPONENTS ARE ROHS COMPLIANT.

REDWN & RDC MATL THKNS EC NO: ETC2007-0158 DRW: JMACNEIL 2006/10/20 CHKD: JMACNEIL 2006/10/20 APPR: JMACNEIL 2006/10/20	QUALITY SYMBOLS	GENERAL TOLERANCES (UNLESS SPECIFIED)	DIMENSION STYLE	SCALE	DESIGN UNITS	THIRD ANGLE PROJECTION															
	$\nabla=0$ $\nabla=0$	<table border="1"> <thead> <tr> <th></th> <th>mm</th> <th>INCH</th> </tr> </thead> <tbody> <tr> <td>4 PLACES</td> <td><math>\pm</math>----</td> <td><math>\pm</math>----</td> </tr> <tr> <td>3 PLACES</td> <td><math>\pm</math>----</td> <td><math>\pm</math>----</td> </tr> <tr> <td>2 PLACES</td> <td><math>\pm</math>----</td> <td><math>\pm</math>----</td> </tr> <tr> <td>1 PLACE</td> <td><math>\pm</math>----</td> <td><math>\pm</math>----</td> </tr> </tbody> </table>		mm	INCH	4 PLACES	$\pm$ ----	$\pm$ ----	3 PLACES	$\pm$ ----	$\pm$ ----	2 PLACES	$\pm$ ----	$\pm$ ----	1 PLACE	$\pm$ ----	$\pm$ ----	IN/MM	4:1	INCH	
		mm	INCH																		
	4 PLACES	$\pm$ ----	$\pm$ ----																		
3 PLACES	$\pm$ ----	$\pm$ ----																			
2 PLACES	$\pm$ ----	$\pm$ ----																			
1 PLACE	$\pm$ ----	$\pm$ ----																			
<table border="1"> <thead> <tr> <th>DRAWN BY</th> <th>DATE</th> </tr> </thead> <tbody> <tr> <td>EHILE</td> <td>2006/10/16</td> </tr> <tr> <th>CHECKED BY</th> <th>DATE</th> </tr> <tr> <td>JMACNEIL</td> <td>2006/10/16</td> </tr> <tr> <th>APPROVED BY</th> <th>DATE</th> </tr> <tr> <td>JMACNEIL</td> <td>2006/10/16</td> </tr> </tbody> </table>	DRAWN BY	DATE	EHILE	2006/10/16	CHECKED BY	DATE	JMACNEIL	2006/10/16	APPROVED BY	DATE	JMACNEIL	2006/10/16	<table border="1"> <thead> <tr> <th>TITLE</th> </tr> </thead> <tbody> <tr> <td>RING TONGUE TERMINAL, FUNNEL ENTRY, 6 AWG, NYLAKRIMP</td> </tr> </tbody> </table>	TITLE	RING TONGUE TERMINAL, FUNNEL ENTRY, 6 AWG, NYLAKRIMP						
DRAWN BY	DATE																				
EHILE	2006/10/16																				
CHECKED BY	DATE																				
JMACNEIL	2006/10/16																				
APPROVED BY	DATE																				
JMACNEIL	2006/10/16																				
TITLE																					
RING TONGUE TERMINAL, FUNNEL ENTRY, 6 AWG, NYLAKRIMP																					
<table border="1"> <thead> <tr> <th>MATERIAL NO.</th> <th>DOCUMENT NO.</th> <th>SHEET NO.</th> </tr> </thead> <tbody> <tr> <td>SEE CHART</td> <td>SD-19067-016</td> <td>1 OF 1</td> </tr> </tbody> </table>	MATERIAL NO.	DOCUMENT NO.	SHEET NO.	SEE CHART	SD-19067-016	1 OF 1															
MATERIAL NO.	DOCUMENT NO.	SHEET NO.																			
SEE CHART	SD-19067-016	1 OF 1																			
<table border="1"> <thead> <tr> <th>SIZE</th> <th>THIS DRAWING CONTAINS INFORMATION THAT IS PROPRIETARY TO MOLEX INCORPORATED AND SHOULD NOT BE USED WITHOUT WRITTEN PERMISSION</th> </tr> </thead> <tbody> <tr> <td>B</td> <td></td> </tr> </tbody> </table>	SIZE	THIS DRAWING CONTAINS INFORMATION THAT IS PROPRIETARY TO MOLEX INCORPORATED AND SHOULD NOT BE USED WITHOUT WRITTEN PERMISSION	B																		
SIZE	THIS DRAWING CONTAINS INFORMATION THAT IS PROPRIETARY TO MOLEX INCORPORATED AND SHOULD NOT BE USED WITHOUT WRITTEN PERMISSION																				
B																					