

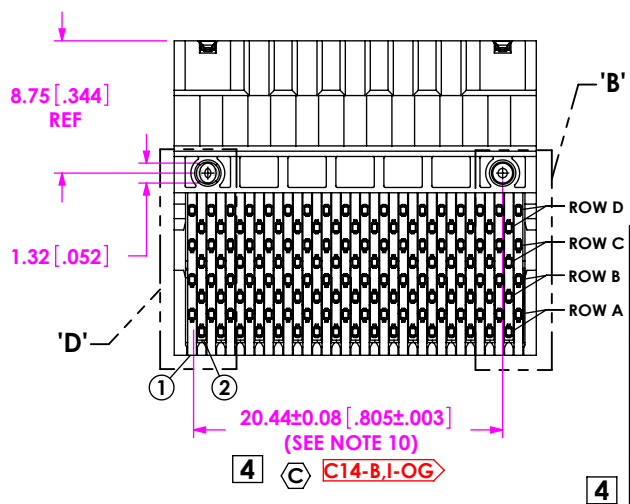
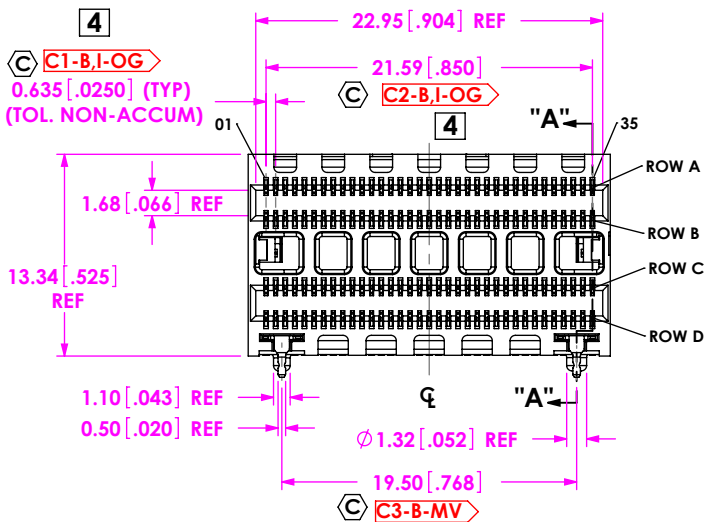
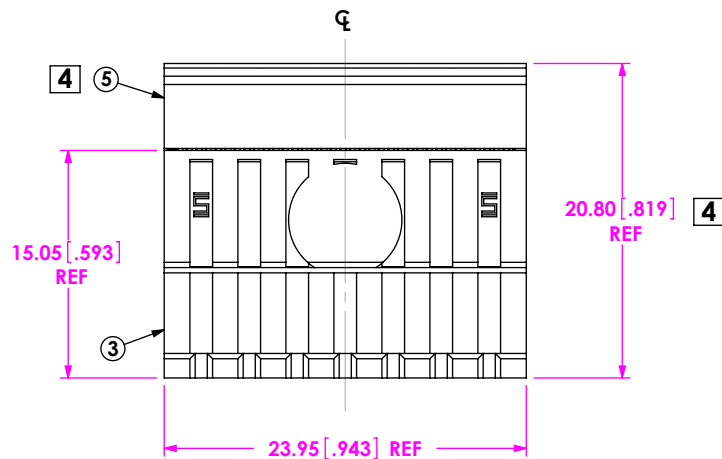
REVISION

2	CW	C ROSE
6/30/2011 ECN-157470		
ADD NOTE 7, SHT 2, SECT "AA": CHG 1.25+-05 TO 1.25+-10/-05, CPC C4: ADD "T", DETAIL "C": CPC C7: ADD "T", ADD "SEE NOTE 7", CPC TABLE ADD "C9" TO "FILL WAFER" ROW		
3	CW	C ROSE
10/12/2011 ECN-164299		
SHT 2, SECT "AA": ADD "T" TO CPC8, CPC TABLE, "FILL WAFERS" ROW: ADD C4 & C7		
4	RM	C ROSE
3/6/2012 ECN-173382		

UPDATE TO NEW BACK CAP DESIGN. SHEET 1, ADD STANDARD LEAD FREE BOX. ADD NOTE 8 "SOLDER COMPOSITION: 96.5% TIN/ 3.5% SILVER" ADD CPC CRITICAL TO NOTE 8, C11-B-I-XR. ADD NOTE 9 "MEASUREMENT... BACK CAP". ADD NOTE 10 "CHECK... TAILS". BOM TABLE, ADD ITEM 5. ADD CPC LOCAL INSPECTION TABLE. TOP VIEW, ADD BALLOON ITEM 5. CHG 2.800 TO 2.80 REF. FRONT VIEW: CHG C1-B-MM TO C1-B-I-OG. CHG C2-B-MM TO C2-B-I-OG. BOTTOM VIEW: DEL 1.18. ADD 20.44+-0.08 ADD CPC C14-B-I-OG. ADD DET "D": SHEET 2, ADD CPC LOCAL INSPECTION TABLE. SECTION "A": ADD SEE NOTE 8. ADD 20.80 (SEE NOTE 9), ADD CPC C12-B-CP. DEL 11.20, CPC C9. DEL 12.35, CPC C9. ADD 2.45 REF. ADD 8.05 REF. DET "B": DEL 0.89 & 1 DEGREE. ADD 1.15+-0.08 ADD CPC C-13-B-I-OG. ADD 20.44 REF. ADD 0.835 ADD CPC C15-B-I-OG. ADD DET "D" VIEW. DET "C": ADD 2.08, CPC C10-B-I-OG. ADD 3.23 CPC C9-B-I-OG. CPC TABLE: ADD C13, C14, C15 TO FILL WAFERS OPERATION. ADD ROW FILL BACK CAP. ADD C12. ADD C11, C12, C14, C15 TO FINISHED ASSEMBLY OPERATION.

NOT RELEASED FOR PRODUCTION

USE FOR QUOTING, PRELIMINARY DESIGN, PROTOTYPING AND INFORMATIONAL PURPOSES ONLY



THIS PRODUCT MANUFACTURED WITH LEAD-FREE PROCESSING

NOTES:

- ⊗ REPRESENTS A CRITICAL DIMENSION.
- MINIMUM PUSHOUT FORCE: 2.22N[0.5 LB].
- INSPECT DIMENSION AT BOTH ENDS OF PART. ALL VISIBLE SOLDER CRIMPS TO BE CHECKED.
- FOR QUANTITIES UP TO 49 PIECES, NO LEADER, TRAILER, OR REEL WILL BE SUPPLIED. FOR QUANTITIES OF 50-124 PIECES, NO LEADER OR TRAILER WILL BE SUPPLIED.
- PARTS TO BE PACKAGED IN TAPE AND REEL.
- ATTACH LABEL "ASP-149117-01" TO EACH TAPE & REEL PACKAGE.
- MEASUREMENT MUST BE TAKEN FROM THE LOWEST POINT OF THIS SURFACE (STANDOFF).
- SOLDER COMPOSITION: 96.5% TIN/3.5% SILVER.
- MEASUREMENT MUST BE TAKEN TO BACK CAP.
- CHECK DIMENSION AT FIRST AND LAST ROW OF TAILS.

ITEM NO.	PART NUMBER	QUANTITY	MATERIAL
1	SUB-IM-C-299-01-S	18.000	PHOS BRONZE, 521 HARD TEMPER
2	SUB-IM-C-299-02-S	17.000	PHOS BRONZE, 521 HARD TEMPER
3	HT3-035-01-RA	1.0000	VECTRA E130i, COLOR: BLACK
4	WT-61-01-T	2.0000	PHOS BRONZE, 510 1/2 HARD
5	HT3-BC-035-01	1.0000	VECTRA E130i, COLOR: BLACK

CPC FREQUENCY THIS SHEET
A
B C1, C2, C3, C11, C14
C
D

UNLESS OTHERWISE SPECIFIED, DIMENSIONS ARE IN MILLIMETERS(INCHES).
 TOLERANCES ARE:
 DECIMALS ANGLES
 X.X: ±0.3[.01] 2°
 X.XX: ±0.13[.005]
 X.XXX: ±0.051[.0020]

MATERIAL: DO NOT SCALE DRAWING SHEET SCALE: 2:1
 INSULATOR: LCP
 CONTACT: PHOS BRONZE
 WT: PHOS BRONZE

PLATING:
 CONTACT AREA: .000030 GOLD OVER .000050 NICKEL
 REMAINDER: .000200 REF TIN OVER .000050 NICKEL
 F:\DWG\SW\Newprod\Pl635mm\Hypertransport\ASP-149117-01.SLDDRW

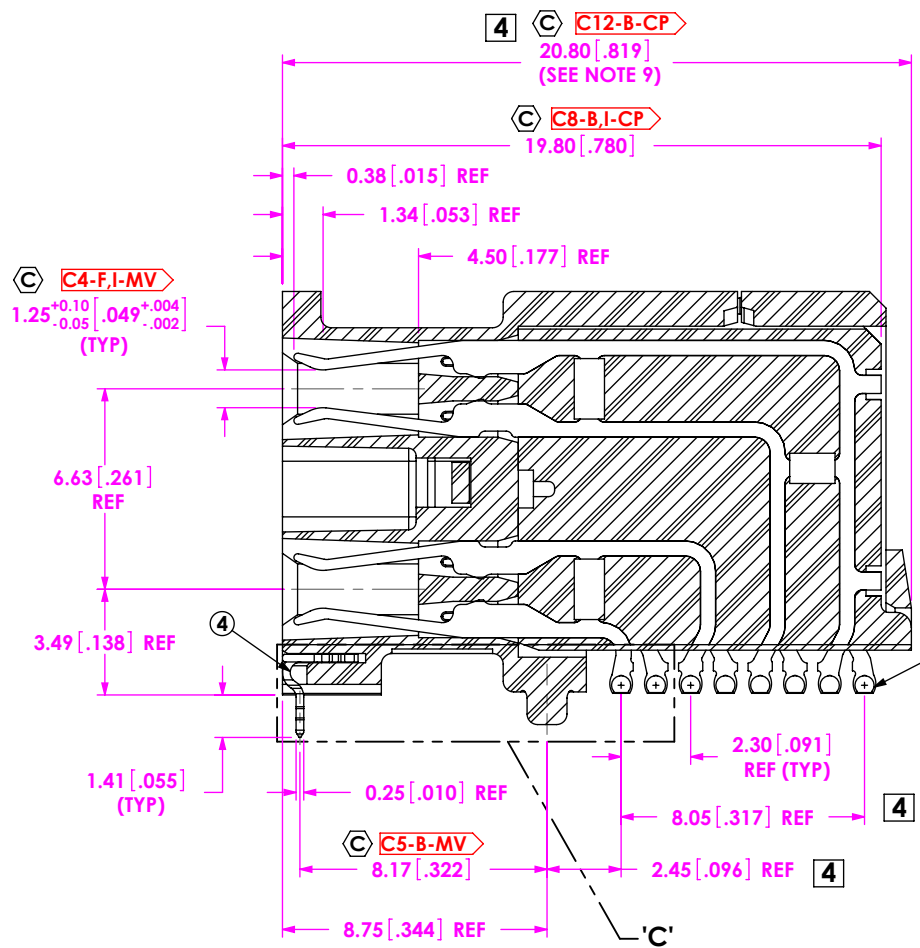
PROPRIETARY NOTE
 THIS DOCUMENT CONTAINS INFORMATION CONFIDENTIAL AND PROPRIETARY TO SAMTEC, INC. AND SHALL NOT BE REPRODUCED OR TRANSFERRED TO OTHER DOCUMENTS OR DISCLOSED TO OTHERS OR USED FOR ANY PURPOSE OTHER THAN THAT WHICH IT WAS OBTAINED WITHOUT THE EXPRESSED WRITTEN CONSENT OF SAMTEC, INC.

520 PARK EAST BLVD, NEW ALBANY, IN 47150
 PHONE: 812-944-6733 FAX: 812-948-5047
 e-Mail info@SAMTEC.com code 55322

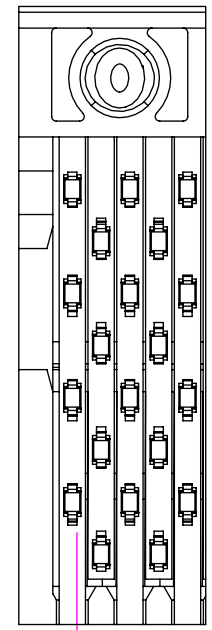
DESCRIPTION: **4 ROW 0.635mm SOCKET**

DWG. NO. **ASP-149117-01**

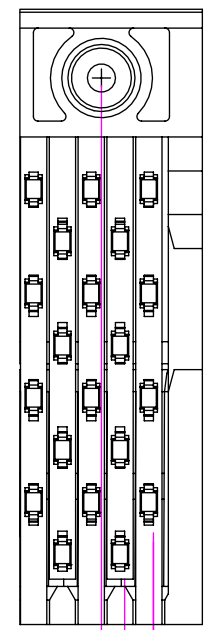
BY: VICKY Z 12/10/2009 SHEET 1 OF 2



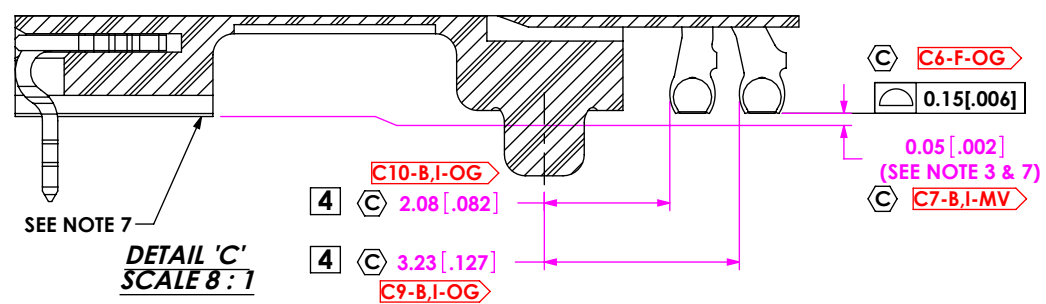
SECTION "A"-"A"
SCALE 4:1



DETAIL 'D'
SCALE 6:1



DETAIL 'B'
SCALE 6:1



DETAIL 'C'
SCALE 8:1

CRITICAL DIMENSION INSPECTION INSTRUCTION TABLE	
ASSEMBLY OPERATION	IN-PROCESS INSPECTION INSPECT CODE B
FILL WAFERS	C1, C2, C4, C7, C8, C9, C10, C13, C14, C15
FILL WELD TABS	C3, C5
FILL BACK CAP	C12
FINISHED ASSEMBLY	C1, C2, C3, C4, C5, C6, C7, C8, C9, C10, C11, C12, C13, C14, C15

4

4

CPC FREQUENCY THIS SHEET	
A	
B	C5, C8, C9, C10, C12, C13, C15
C	
D	
F	C4, C6

PROPRIETARY NOTE
THIS DOCUMENT CONTAINS INFORMATION CONFIDENTIAL AND PROPRIETARY TO SAMTEC, INC. AND SHALL NOT BE REPRODUCED OR TRANSFERRED TO OTHER DOCUMENTS OR DISCLOSED TO OTHERS OR USED FOR ANY PURPOSE OTHER THAN THAT WHICH IT WAS OBTAINED WITHOUT THE EXPRESSED WRITTEN CONSENT OF SAMTEC, INC.

SHEET SCALE: 2:1



520 PARK EAST BLVD, NEW ALBANY, IN 47150
PHONE: 812-944-6733 FAX: 812-948-5047
e-Mail info@SAMTEC.com code 55322

DESCRIPTION:	4 ROW 0.635mm SOCKET
DWG. NO.	ASP-149117-01
BY: VICKY Z	12/10/2009 SHEET 2 OF 2