

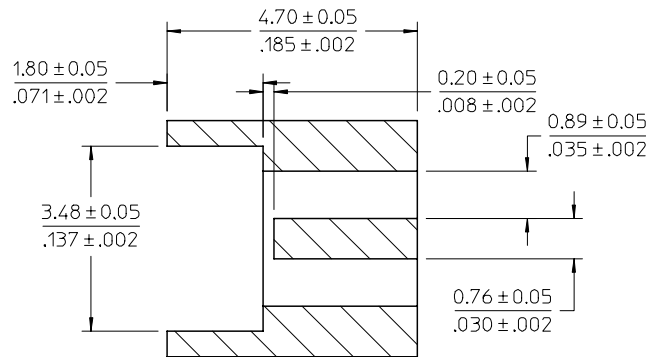
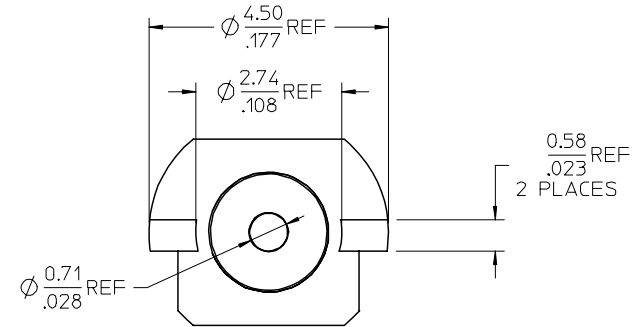
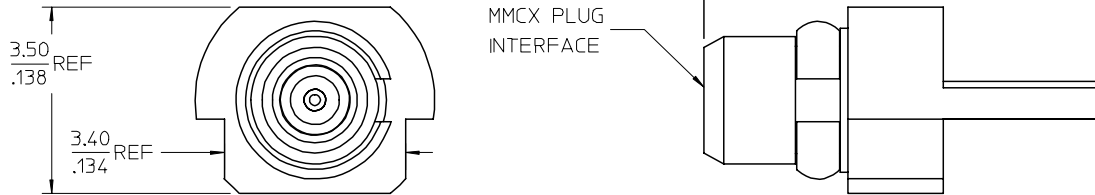
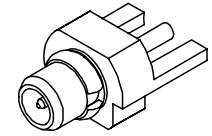
13 12 11 10 9 8 7 6 5 4 3 2 1

MATERIALS AND FINISHES

BODY BRASS  
PLATED GOLD

CENTER CONTACT BRASS  
PLATED GOLD

INSULATOR TEFLON



BOARD MATERIAL: FR4, 1.4mm(.055) THICK  
PCB LAYOUT WITH GROUND PLANE

73415-0993	P/N 73415-0991, ONE PER BAG
73415-0992	PER COMMERICAL REQUIREMENTS, TAPE AND REEL
73415-0991	PER COMMERICAL REQUIREMENTS, PACKAGING-BULK
73415-0990	PER MILITARY REQUIREMENTS, PACKAGING-BULK
PART NO.	PLATING AND PACKAGING

ES-73599-0000-0150	INTERFACE
PS-89675-1910	ELECTRO/MECH PERFORM.
SPECIFICATION	DESCRIPTION

CHG: REDREW IN SD  
CHANGED ALL DIMS  
FROM IN/MM TO MM/IN  
ADDED P/N  
73415-0993  
REMOVED PLATING  
THICKNESS FROM  
MATERIALS  
REMOVED ALL  
TOLERANCES ON  
SHEET 2 AND  
REPLACED WITH REF  
REMOVED  
TOLERANCES  
FOR CONNECTOR  
ON SHEET 1  
CONTACT MATERIAL  
WAS BERYLLIUM  
FC NO: URF2007-0264  
DRWN:FLAHERTY 2007/01/09  
CHKD:SHAH 2007/01/09  
APPR:JIMENER 2007/01/09

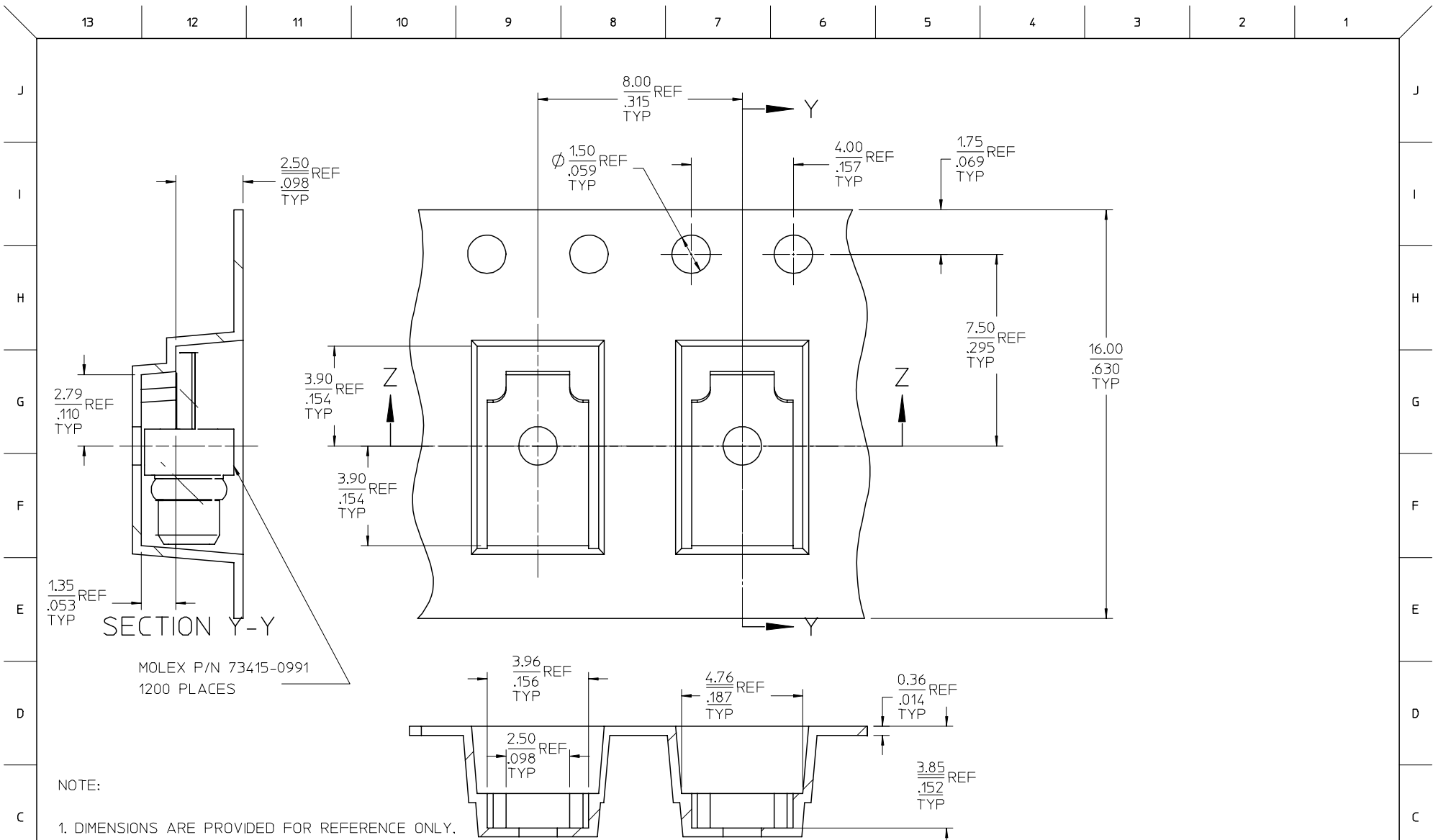
QUALITY SYMBOLS  
  
 DESCRIPTION

GENERAL TOLERANCES (UNLESS SPECIFIED)		DIMENSION STYLE	
		MM/IN	
4 PLACES	± --- ± ---	mm	INCH
3 PLACES	± --- ± ---		
2 PLACES	± --- ± ---		
1 PLACE	± --- ± ---		
ANGULAR ± 2 °			

DRAWN BY	DATE
EDC	1999/03/18
CHECKED BY	DATE
TEF	1999/11/24
APPROVED BY	DATE
GMH	1999/11/24

SCALE	DESIGN UNITS	THIRD ANGLE PROJECTION
	METRIC	
MMCX PLUG, EDGE MOUNT LAUNCHER, 50 OHMS MMCX-P/PCB		
MOLEX INCORPORATED		
MATERIAL NO.	DOCUMENT NO.	SHEET NO.
SEE TABLE	SD-73415-099	1 OF 2

12 11 10 9 8 7 6 5 4 3 2 1



CHG: SEE SHEET 1 EC NO: URF2007-0264 DRAWN: IFLAHERY 2007/01/09 CHKD: SHAH 2007/01/09 APPR: JIMENER 2007/01/09 E1	QUALITY SYMBOLS ▽=0 ▽=0	GENERAL TOLERANCES (UNLESS SPECIFIED)		DIMENSION STYLE MM/IN		SCALE	DESIGN UNITS METRIC	THIRD ANGLE PROJECTION	
		4 PLACES ± --- ± ---	3 PLACES ± --- ± ---	2 PLACES ± --- ± ---	1 PLACE ± --- ± ---	DRAWN BY EDC	DATE 1999/03/18	TITLE MMCX PLUG, EDGE MOUNT LAUNCHER, 50 OHMS MMCX-P/PCB	
		ANGULAR ± 2 °				CHECKED BY TEF	DATE 1999/11/24	MOLEX INCORPORATED	
		DRAFT WHERE APPLICABLE MUST REMAIN WITHIN DIMENSIONS				APPROVED BY GMH	DATE 1999/11/24	MATERIAL NO. SEE SHEET 1	DOCUMENT NO. SD-73415-099