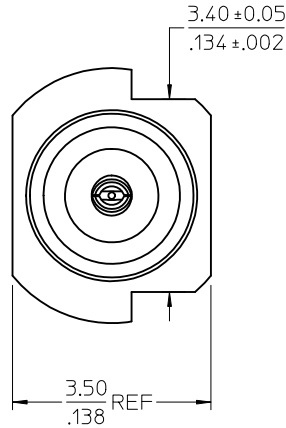
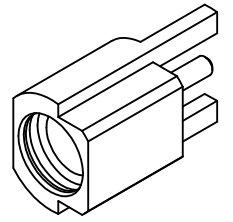


MATERIALS AND FINISHES:

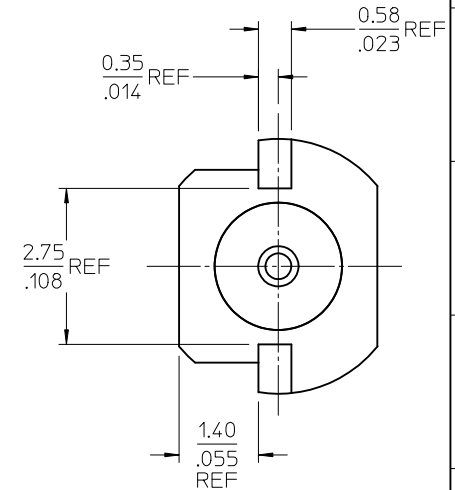
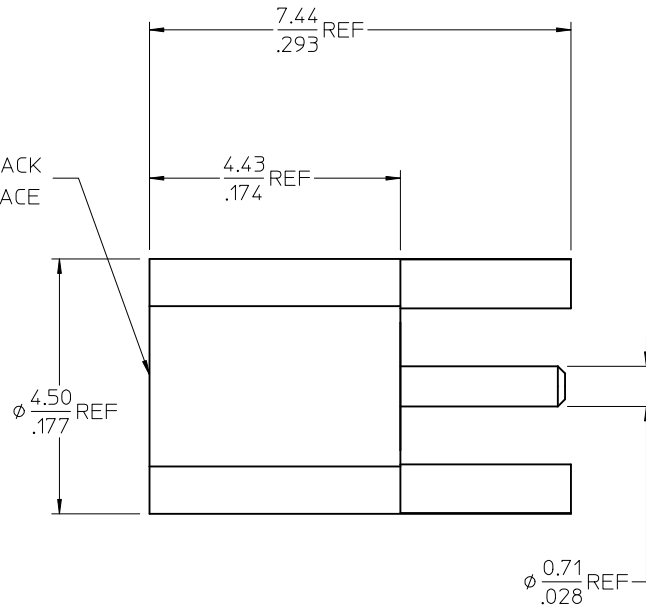
BODY BRASS  
PLATED GOLD

CONTACT BERYLLIUM COPPER  
PLATED GOLD

INSULATOR TEFLON



MMCX JACK  
INTERFACE

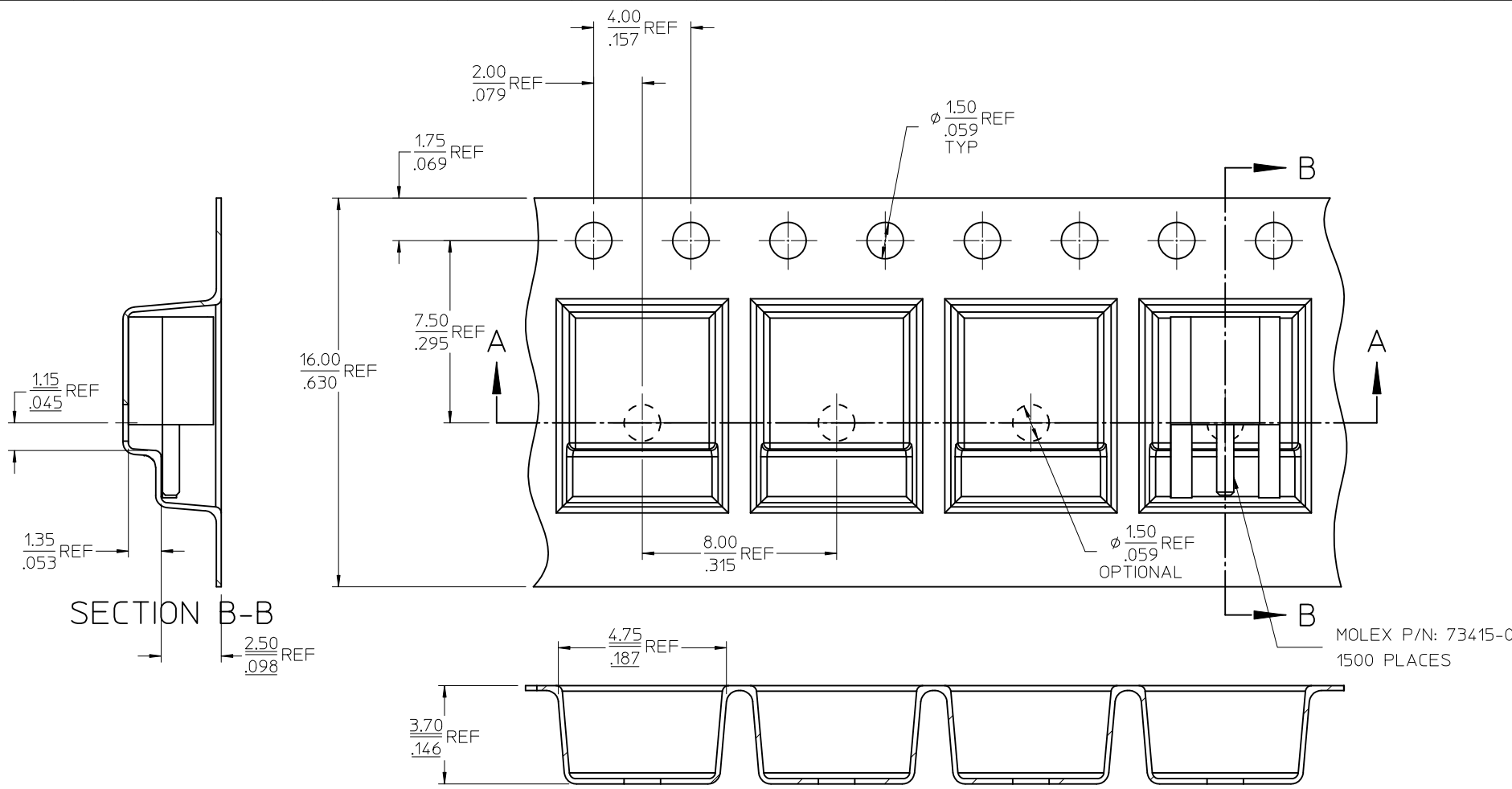


FOR PCB LAYOUT SEE SHEET 4

REEL SIZE FOR TAPE AND REEL: 1500 PIECES

		73415-0969	PER COMMERCIAL REQUIREMENTS	ONE PIECE PER BAG OF 73415-0961
		73415-0968	PER COMMERCIAL REQUIREMENTS	INDIVIDUAL BAGS -- SEE SHEET 2
		73415-0967	PER MILITARY REQUIREMENTS	LEADS ORIENTED OPPOSITE FEED HOLES WITHOUT LABEL
		73415-0966	PER COMMERCIAL REQUIREMENTS	LEADS ORIENTED TOWARDS FEED HOLES WITHOUT LABEL
		73415-0965	PER COMMERCIAL REQUIREMENTS	LEADS ORIENTED OPPOSITE FEED HOLES
		73415-0964	PER MILITARY REQUIREMENTS	LEADS ORIENTED TOWARDS FEED HOLES
		73415-0963	PER COMMERCIAL REQUIREMENTS	LEADS ORIENTED TOWARDS FEED HOLES
		73415-0962	PER MILITARY REQUIREMENTS	LEADS ORIENTED OPPOSITE FEED HOLES
CECC-22-340	INTERFACE	73415-0961	PER COMMERCIAL REQUIREMENTS	TRAY PACK
PS-89675-1920	ELECTRO/MECH PERFORMANCE	73415-0960	PER MILITARY REQUIREMENTS	TRAY PACK
SPECIFICATION	DESCRIPTION	PART NUMBER	GOLD PLATING	PACKAGING

CHG: ADD -0969 PACKING FOR -0960/0961 WAS SINGLE BAGS EC NO: URF2012-0471 DRWN: JWIENER 2012/02/10 CHKD: SSS 2012/02/10 APPR: JWIENER 2012/02/10 F5	QUALITY SYMBOLS ▽=0 ▽=0	GENERAL TOLERANCES (UNLESS SPECIFIED)		DIMENSION STYLE MM/IN		SCALE	DESIGN UNITS METRIC	THIRD ANGLE PROJECTION															
		<table border="1"> <tr> <th></th> <th>mm</th> <th>INCH</th> </tr> <tr> <td>4 PLACES</td> <td>± .005</td> <td>± .0005</td> </tr> <tr> <td>3 PLACES</td> <td>± .005</td> <td>± .0005</td> </tr> <tr> <td>2 PLACES</td> <td>± .005</td> <td>± .0005</td> </tr> <tr> <td>1 PLACE</td> <td>± .005</td> <td>± .0005</td> </tr> </table>			mm	INCH	4 PLACES	± .005	± .0005	3 PLACES	± .005	± .0005	2 PLACES	± .005	± .0005	1 PLACE	± .005	± .0005	DRAWN BY DATE EDC 1999/02/15 CHECKED BY DATE DHG 1999/02/15 APPROVED BY DATE JWIENER 2010/02/24		TITLE		
			mm	INCH																			
		4 PLACES	± .005	± .0005																			
3 PLACES	± .005	± .0005																					
2 PLACES	± .005	± .0005																					
1 PLACE	± .005	± .0005																					
ANGULAR ± 2°		MATERIAL NO. SEE TABLE		DOCUMENT NO. SD-73415-096		MOLEX INCORPORATED		SHEET NO. 1 OF 4															
DRAFT WHERE APPLICABLE MUST REMAIN WITHIN DIMENSIONS		SIZE C		THIS DRAWING CONTAINS INFORMATION THAT IS PROPRIETARY TO MOLEX INCORPORATED AND SHOULD NOT BE USED WITHOUT WRITTEN PERMISSION																			

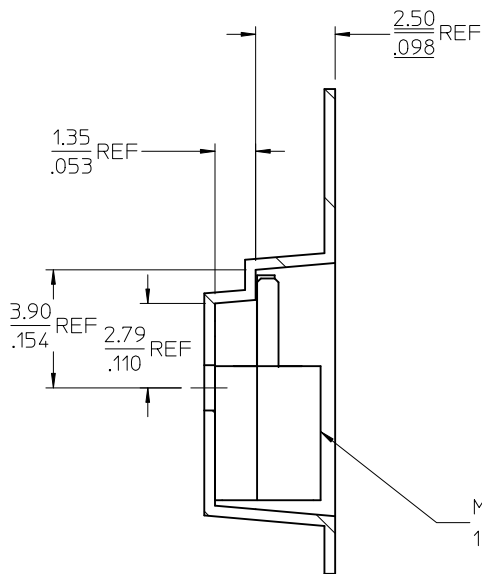


NOTE:  
1. DIMENSIONS ARE PROVIDED FOR REFERENCE ONLY.

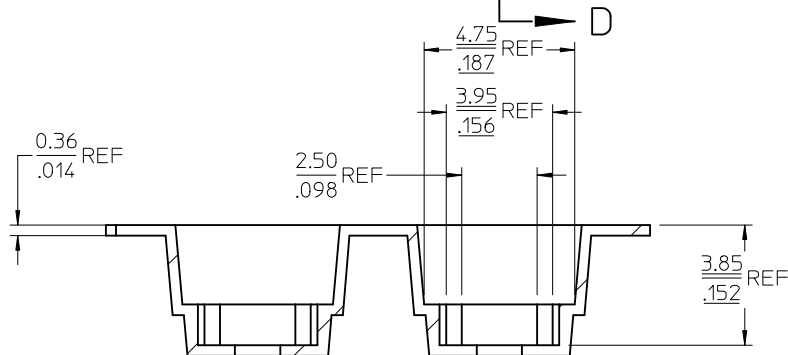
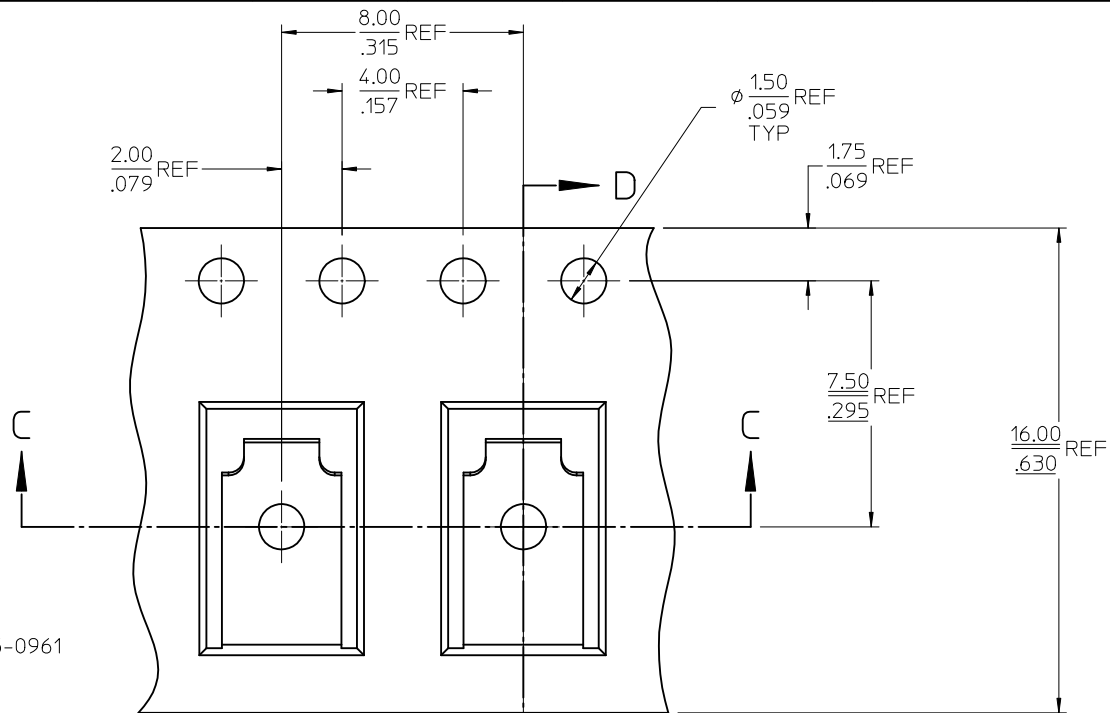
PART # 73415-0962/73415-065/73415-0967

1. PASTE COLOR LABEL OFFERED BY CUSTOMER ON EVERY POLYBAG SHOWING QTY, CUSTOMER P/N:- K00G0027
2. PASTE COLOR LABEL ON MASTER CARTON SHOWING P/N & QTY.

CHG: SEE SHEET 1 EC NO: URF2012-0471 DRWN: JWIENER 2012/02/10 CHKD: SSS 2012/02/10 APPR: JWIENER 2012/02/10	QUALITY SYMBOLS	GENERAL TOLERANCES (UNLESS SPECIFIED) <table border="1"> <thead> <tr> <th></th> <th>mm</th> <th>INCH</th> </tr> </thead> <tbody> <tr> <td>4 PLACES</td> <td>± .005</td> <td>± .0002</td> </tr> <tr> <td>3 PLACES</td> <td>± .005</td> <td>± .0002</td> </tr> <tr> <td>2 PLACES</td> <td>± .005</td> <td>± .0002</td> </tr> <tr> <td>1 PLACE</td> <td>± .005</td> <td>± .0002</td> </tr> </tbody> </table> ANGULAR ± 2°		mm	INCH	4 PLACES	± .005	± .0002	3 PLACES	± .005	± .0002	2 PLACES	± .005	± .0002	1 PLACE	± .005	± .0002	DIMENSION STYLE MM/IN	SCALE METRIC	DESIGN UNITS METRIC	THIRD ANGLE PROJECTION
			mm	INCH																	
	4 PLACES		± .005	± .0002																	
	3 PLACES		± .005	± .0002																	
2 PLACES	± .005	± .0002																			
1 PLACE	± .005	± .0002																			
DRAWN BY EDC	DATE 1999/02/15	TITLE MMCX JACK PCB EDGE MOUNT 50 OHM MMCX-J/PCB																			
CHECKED BY DHG	DATE 1999/02/15	APPROVED BY JWIENER	DATE 2010/02/24	MATERIAL NO. SEE SHEET 1	DOCUMENT NO. SD-73415-096	SHEET NO. 2 OF 4															
DRAFT WHERE APPLICABLE MUST REMAIN WITHIN DIMENSIONS		THIS DRAWING CONTAINS INFORMATION THAT IS PROPRIETARY TO MOLEX INCORPORATED AND SHOULD NOT BE USED WITHOUT WRITTEN PERMISSION																			



SECTION D-D



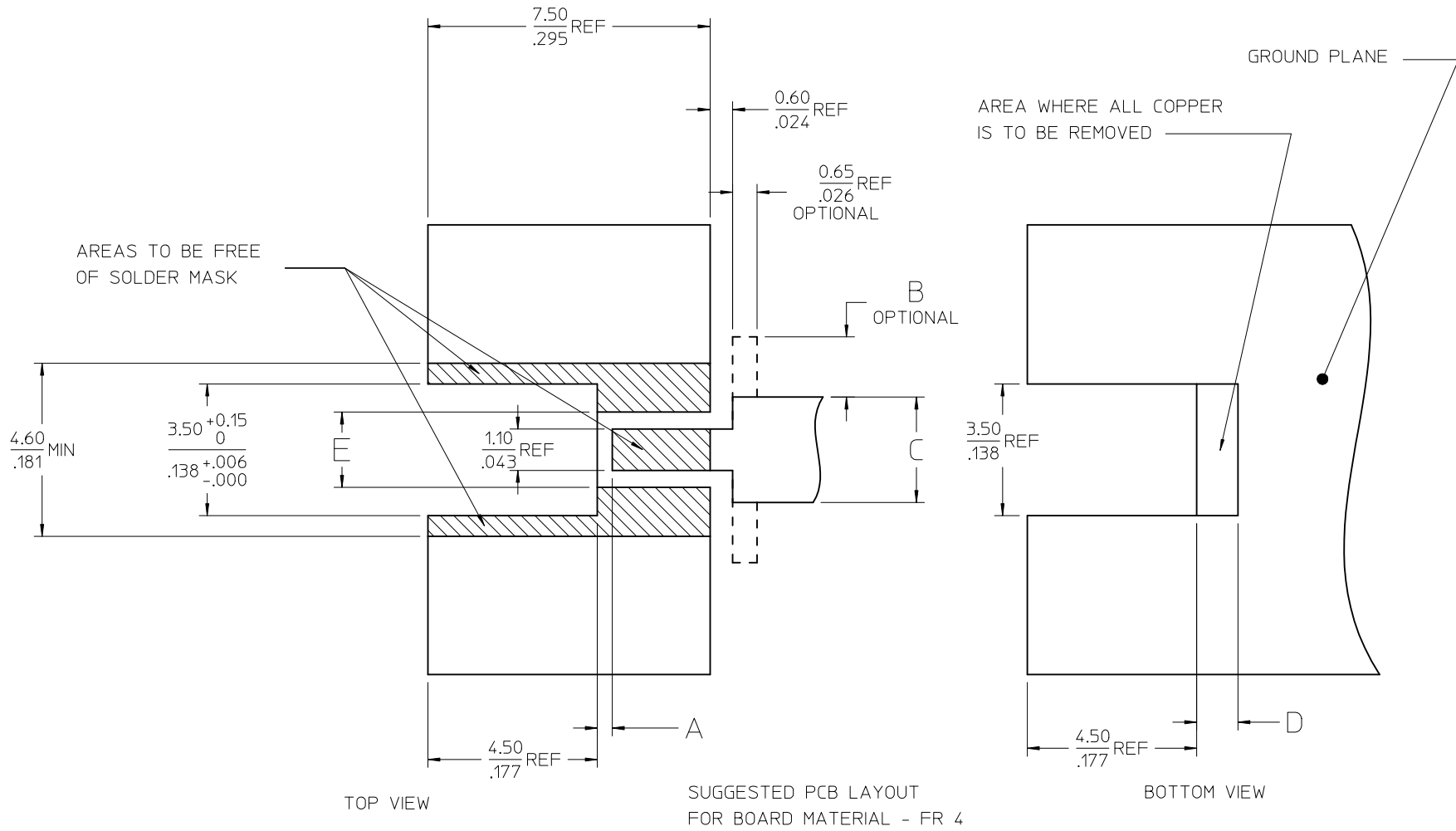
SECTION C-C

NOTES:

1. DIMENSIONS ARE PROVIDED FOR REFERENCE ONLY.

PART # 73415-0963/73415-0964/73415-0966

CHG: SEE SHEET 1 EC NO: URF2012-0471 DRWN: JWIENER 2012/02/10 CHKD: SSS 2012/02/10 APPR: JWIENER 2012/02/10 REV: F5	QUALITY SYMBOLS ▽=0 ▽=0	GENERAL TOLERANCES (UNLESS SPECIFIED) <table border="1"> <tr> <th></th> <th>mm</th> <th>INCH</th> </tr> <tr> <td>4 PLACES</td> <td>± .005</td> <td>± .0002</td> </tr> <tr> <td>3 PLACES</td> <td>± .005</td> <td>± .0002</td> </tr> <tr> <td>2 PLACES</td> <td>± .005</td> <td>± .0002</td> </tr> <tr> <td>1 PLACE</td> <td>± .005</td> <td>± .0002</td> </tr> </table>		mm	INCH	4 PLACES	± .005	± .0002	3 PLACES	± .005	± .0002	2 PLACES	± .005	± .0002	1 PLACE	± .005	± .0002	DIMENSION STYLE MM/IN	SCALE DESIGN UNITS METRIC	THIRD ANGLE PROJECTION
		mm	INCH																	
	4 PLACES	± .005	± .0002																	
	3 PLACES	± .005	± .0002																	
	2 PLACES	± .005	± .0002																	
1 PLACE	± .005	± .0002																		
DRAFT WHERE APPLICABLE MUST REMAIN WITHIN DIMENSIONS	MATERIAL NO. <b>SEE SHEET 1</b>	DRAWN BY EDC	DATE 1999/02/15	TITLE <b>MMCX JACK PCB EDGE MOUNT 50 OHM MMCX-J/PCB</b>	SHEET NO. <b>3 OF 4</b>															
	ANGULAR ± 2°	CHECKED BY DHG	DATE 1999/02/15	MOLEX INCORPORATED																
		APPROVED BY JWIENER	DATE 2010/02/24	DOCUMENT NO. <b>SD-73415-096</b>																
		THIS DRAWING CONTAINS INFORMATION THAT IS PROPRIETARY TO MOLEX INCORPORATED AND SHOULD NOT BE USED WITHOUT WRITTEN PERMISSION																		



TOP VIEW

SUGGESTED PCB LAYOUT FOR BOARD MATERIAL - FR 4

BOTTOM VIEW

0.80 MM / .031 INCHES	.039 REF	1.00 REF	----	----	.055 REF	1.40 REF	.043 REF	1.10 REF	.071 REF	1.80 REF
1.00 MM / .039 INCHES	.035 REF	0.90 REF	.012 REF	0.30 REF	.071 REF	1.80 REF	.047 REF	1.20 REF	.065 REF	1.64 REF
1.60 MM / .063 INCHES	.016 REF	0.40 REF	.063 REF	1.60 REF	.110 REF	2.80 REF	.091 REF	2.30 REF	.059 REF	1.50 REF
PCB THICKNESS	IN	MM	IN	MM	IN	MM	IN	MM	IN	MM

A B C D E

<b>CHG: SEE SHEET 1</b> EC NO: URF2012-0471 DRWN: JWIENER 2012/02/10 CHKD: SSS 2012/02/10 APPR: JWIENER 2012/02/10 F5 REV	QUALITY SYMBOLS ▽=0 ▽=0	GENERAL TOLERANCES (UNLESS SPECIFIED) <table border="1"> <tr> <th></th> <th>mm</th> <th>INCH</th> </tr> <tr> <td>4 PLACES</td> <td>± .005</td> <td>± .0002</td> </tr> <tr> <td>3 PLACES</td> <td>± .008</td> <td>± .0003</td> </tr> <tr> <td>2 PLACES</td> <td>± .010</td> <td>± .0004</td> </tr> <tr> <td>1 PLACE</td> <td>± .015</td> <td>± .0006</td> </tr> </table>		mm	INCH	4 PLACES	± .005	± .0002	3 PLACES	± .008	± .0003	2 PLACES	± .010	± .0004	1 PLACE	± .015	± .0006	DIMENSION STYLE <b>MM/IN</b> DRAWN BY DATE EDC 1999/02/15 CHECKED BY DATE DHG 1999/02/15 APPROVED BY DATE JWIENER 2010/02/24	SCALE DESIGN UNITS <b>METRIC</b> THIRD ANGLE PROJECTION	TITLE <b>MMCX JACK PCB EDGE MOUNT          50 OHM          MMCX-J/PCB</b>
		mm	INCH																	
	4 PLACES	± .005	± .0002																	
	3 PLACES	± .008	± .0003																	
2 PLACES	± .010	± .0004																		
1 PLACE	± .015	± .0006																		
DRAFT WHERE APPLICABLE MUST REMAIN WITHIN DIMENSIONS	MATERIAL NO. <b>SEE SHEET 1</b>	DOCUMENT NO. <b>SD-73415-096</b>	SHEET NO. <b>4 OF 4</b>																	
THIS DRAWING CONTAINS INFORMATION THAT IS PROPRIETARY TO MOLEX INCORPORATED AND SHOULD NOT BE USED WITHOUT WRITTEN PERMISSION																				