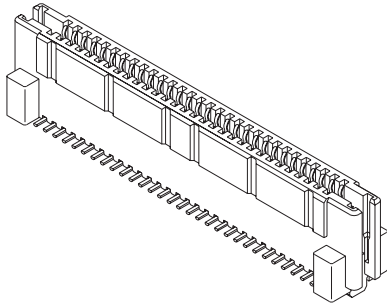


1.00mm (.039") Pitch SlimStack™ Board-to-Board Receptacle

52602
SMT, Dual Row
Vertical Stacking



Features and Benefits

- Stacking heights: 20.0mm
- Sizes 24 to 140 circuits
- Leaf-style design protects pins
- Anti-flux design
- Low insertion force
- Polarization pegs assist placement

Reference Information

Packaging: Tube
Mates With: 53397 and 53408
Designed In: Millimeters

Electrical

Voltage: 100V
Current: 0.5A
Contact Resistance: 70 milliohms max.
Dielectric Withstanding Voltage: 200V AC
Insulation Resistance: 1000 Megohms min.

Physical

Housing: White glass-filled LCP, UL 94V-0
Contact: Phosphor Bronze
Plating: Gold (0.25µm min.) over Nickel
Operating Temperature: -55 to +85°C

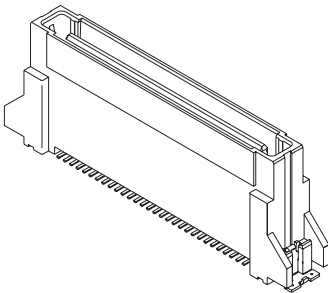
| Circuits | Order No. | Lead-free |
|----------|----------------------------|-----------|
| 24 | 52602-0279 | Yes |
| 50 | 52602-0579 | |
| 60 | 52602-0679 | |
| 120 | 52602-1279 | |
| 140 | 52602-1479 | |

Note: Contact Molex for embossed tape specifications

Note: Use only one connector per daughterboard in order to insure proper mating alignment

1.00mm (.039") Pitch SlimStack™ Board-to-Board Plug

53408
SMT, Dual Row
Vertical Stacking



Features and Benefits

- Stacking heights: 18.0, 20.0mm
- Sizes 24 to 140 circuits
- Leaf-style design protects pins
- Antiflux design
- Low insertion force
- Polarization pegs assist placement

Reference Information

Packaging: Tube
Mates With: 52584 (H=18.0mm)
52602 (H=20.0mm)
Designed In: Millimeters

Electrical

Voltage: 100V
Current: 0.5A
Contact Resistance: 70 milliohms max.
Dielectric Withstanding Voltage: 200V AC
Insulation Resistance: 1000 Megohms min.

Physical

Housing: White glass-filled LCP, UL 94V-0
Contact: Phosphor Bronze
Plating: Gold (0.25µm) over Nickel
Operating Temperature: -55 to +85°C

| Circuits | Order No. | Lead-free |
|----------|----------------------------|-----------|
| 24 | 53408-0279 | Yes |
| 50 | 53408-0579 | |
| 60 | 53408-0679 | |
| 80 | 53408-0879 | |
| 100 | 53408-1079 | |
| 120 | 53408-1279 | |
| 140 | 53408-1479 | |

Note: Contact Molex for embossed tape specifications

Note: Use only one connector per daughterboard in order to insure proper mating alignment