

Features

- Complete primary rate 2048 kbit/s CEPT transceiver with CRC-4 option
- Selectable HDB3 or AMI line code
- Two frame elastic buffer with 32μs jitter buffer
- Tx and Rx frame and multiframe synchronization signals
- Frame alignment and CRC error counters
- Insertion and detection of A, B, C, D signalling bits with optional debounce
- Line driver and receiver
- Per channel, overall, and remote loop around
- Digital phase detector between E1 line and ST-BUS
- ST-BUS compatible
- Pin compatible with the MH89790
- Inductorless clock recovery
- Loss of Signal (LOS) indication
- Available in standard, narrow and surface mount formats
- Supports single supply rail operation

ISSUE 5

May 1995

Ordering Information

MH89790B	40 Pin DIL Hybrid 1.3" row pitch
MH89790BN	40 Pin DIL Hybrid 0.8" row pitch
MH89790BS	40 Pin Surface Mount Hybrid

0°C to 70°C

Description

The MH89790B is Mitel's CEPT PCM 30 interface solution, designed to meet the latest CCITT standards PCM 30 format with CRC-4. The MH89790B provides a complete interface between a 2.048 Mbit/sec digital trunk and Mitel's Serial Telecom Bus, the ST-BUS.

The MH89790B is a pin-compatible enhancement of the MH89790, permitting the removal of the tuneable inductor and inclusion of the external NAND gate used for generating Rx/D.

Applications

- Primary rate ISDN network nodes
- Multiplexing equipment
- Private network: PBX to PBX links

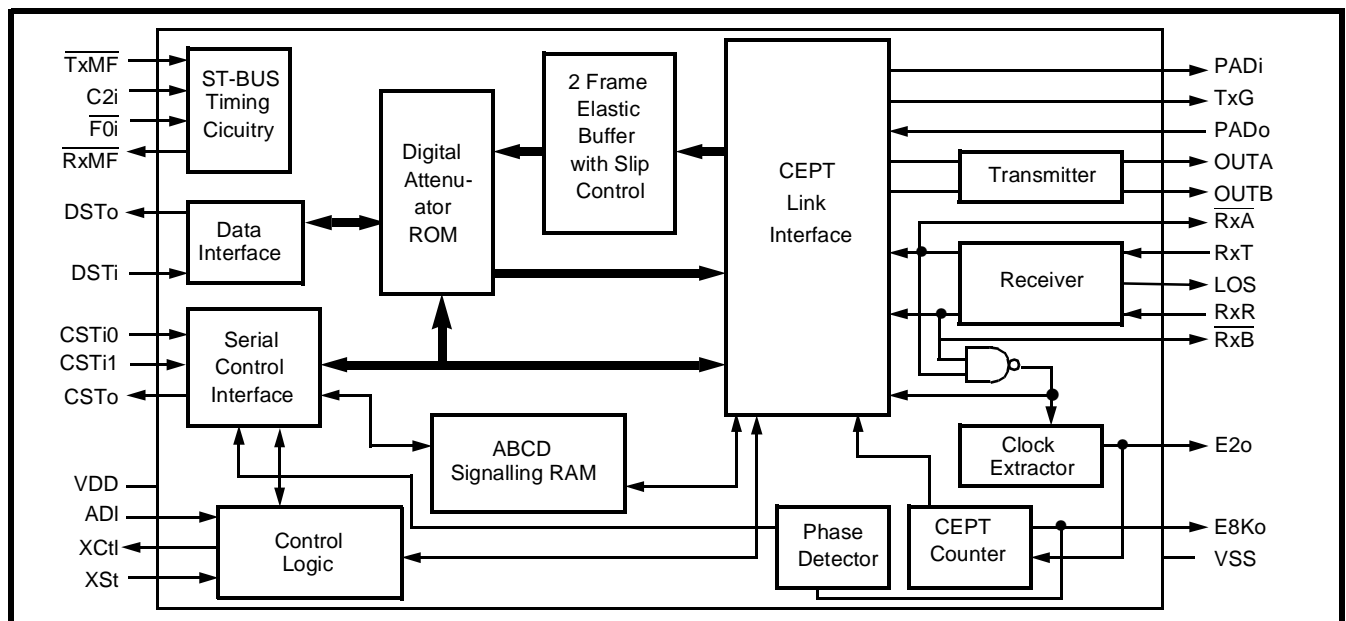


Figure 1 - Functional Block Diagram

IC	2	40	NC
E2o	3	39	NC
VDD	4	38	LOS
$\overline{\text{RxA}}$	5	37	NC
RxT	6	36	NC
RxR	7	35	NC
$\overline{\text{RxB}}$	8	34	NC
NC	9	33	VSS
CSTi1	10	32	NC
CSTi0	11	31	DSTo
E8Ko	12	30	NC
XCtl	13	29	OUTB
XSt	14	28	NC
CSTo	15	27	$\overline{\text{RxMF}}$
ADI	16	26	$\overline{\text{TxMF}}$
DSTi	17	25	OUTA
C2i	18	24	PADo
E2o	19	23	TxG
F0i	20	22	PADi
		21	VSS

Figure 2 - Pin Connections

Pin Description

Pin #	Name	Description
2	IC	Internal Connection. Leave open circuit.
3	E2o	2048 kHz Extracted Clock (Output): This clock is extracted by the device from the received signal. It is used internally to clock in data received at RxT and RxR.
4	V _{DD}	D.C. Power Input. (+5V).
5	$\overline{\text{RxA}}$	Receive A (Output): The bipolar CEPT signal received by the device at the RxR and RxT inputs is converted to a unipolar format and output at this pin.
6	RxT	Receive Tip and Receive Ring Inputs. The AMI receive signal is input to these pins. Both inputs should be connected to a center-tapped, center-grounded transformer. If the receive side of the device is not used, these pins must be tied to ground through 1k Ω resistors.
7	RxR	
8	$\overline{\text{RxB}}$	Receive B (Output): The bipolar CEPT signal received by the device at the RxR and RxT inputs is converted to a unipolar format and output at this pin.
9	NC	No Connection.
10	CSTi1	Control ST-BUS Input #1: A 2048 kbit/s stream that contains channel associated signalling, frame alignment and diagnostic functions.
11	CSTi0	Control ST-BUS Input #0: A 2048 kbit/s stream that contains 30 per channel control words and two Master Control Words.
12	E8Ko	8 kHz Extracted Clock (Output): An 8 kHz output generated by dividing the extracted 2048 kHz clock by 256 and aligning it with the received CEPT frame. The 8 kHz signal can be used for synchronizing the system clock to the extracted 2048 kHz clock. Only valid when device achieves synchronization (goes low during a loss of signal or a loss of basic frame synchronization condition). E8Ko goes to high impedance when 8kHzSEL = 0 in MCW2.
13	XCtl	External Control (Output): An uncommitted external output pin which is set or reset via bit 1 in Master Control Word 2 on CSTi0. The state of XCtl is updated once per frame.
14	XSt	External Status: The state of this pin is sampled once per frame and the status is reported in bit 1 of the Master Status Word 1 on CSTo.
15	CSTo	Control ST-BUS Output: A 2048 kbit/s serial control stream which provides the 16 signalling words, two Master Status Words, Phase Status Word and CRC Error Count.

Pin Description (Continued)

Pin #	Name	Description
16	ADI	Alternate Digit Inversion (Input): If this input is high, the CEPT timeslots which are specified on CSTi0 as voice channels are ADI coded and decoded. When this bit is low it disables ADI coding for all channels. This feature allows either ADI or non-ADI codecs to be used on DSTi and DSTo. Internally pulled with a 4.7kΩ resistor to +V _{DD} .
17	DSTi	Data ST-BUS Input: This pin accepts a 2048 kbit/s serial stream which contains the 30 PCM or data channels to be transmitted on the CEPT trunk.
18	C2i	2048 kbit/s System Clock (Input): The master clock for the ST-BUS section of the chip. All data on the ST-BUS is clocked in on the falling edge of the C2i and output on the rising edge. The falling edge of C2i is also used to clock out data on the CEPT PCM 30 transmit link.
19	E2o	2048 kHz Extracted Clock (Output): Internally connected to pin 3.
20	F0i	Frame Pulse Input: The ST-BUS frame synchronization signal which defines the beginning of the 32 channel frame.
21	V _{SS}	Ground. D.C. Power Return.
22	PADi	PAD Input: Input to the symmetrical resistive 75 ohm T-type line matching circuit. In a typical application connect this input to the output of the line driving transformer.
23	TxG	Transmit Ground: Common point of the T-type PAD circuit. Connect to GND in a typical application.
24	PADo	PAD Output: Output from the T-type PAD circuit. Output impedance of the PAD is pure resistive 75Ω.
25	OUTA	Output A (Open Collector Output): This is the output of the CEPT transmitter. It is suitable for use with an external pulse transformer to generate the transmit bipolar line signal.
26	TxMF	Transmit Multiframe Boundary (Input): This input can be used to set the channel associated and CRC transmitted multiframe boundary (clear the frame counters). If a transmit multiframe signal is not being generated externally to the device, the MH89790B will internally generate its own multiframe when this pin is tied high.
27	RxMF	Received Multiframe Boundary (Output): An output pulse delimiting the received multiframe boundary. (This multiframe is not related to the received CRC multiframe.)
28	NC	No Connection.
29	OUTB	Output B (Open Collector Output): Output of the CEPT transmitter. It is suitable for use with an external pulse transformer to generate the transmit bipolar line signal.
30	NC	No Connection.
31	DSTo	Data ST-BUS Output: A 2048 kbit/s serial output stream which contains the 30 PCM or data channels received from the CEPT line.
32	NC	No Connection.
33	V _{SS}	Ground. D.C. Power Return.
34 - 37	NC	No Connection.
38	LOS	Loss of Signal (Output): This pin goes High when 128 contiguous ZEROs are received on the RxT and RxR inputs. When LOS is High, RxA and RxB are forced High. LOS is reset when 64 ONES are received in a two E1-frame period.
39 - 40	NC	No Connection.

Functional Description

The MH89790B is a digital trunk interface conforming to CCITT Recommendation G.704 for PCM 30 and I.431 for ISDN. It includes features such as insertion and detection of synchronization patterns, optional cyclical redundancy check (CRC-4) and far end error performance reporting, HDB3 decoding and optional coding, channel associated or common channel signalling, programmable digital attenuation, and a two frame received elastic buffer. The MH89790B can also monitor several conditions on the CEPT digital trunk which include the following: Loss of Signal (LOS) indication, frame and multiframe synchronization, received all 1's alarms, data slips, as well as near and far end framing and CRC errors.

The system interface to the MH89790B is a serial bus that operates at 2048 kbit/s known as the ST-BUS. This serial stream is divided into 125 µs frames that are made up of 32 x 8 bit channels.

The line interface to the MH89790B consists of split phase unipolar inputs and outputs which are supplied from/to a bipolar line receiver/driver, respectively.

CEPT Interface

The CEPT frame format consists of 32, 8 bit timeslots. Of the 32 timeslots in a frame, 30 are defined as information channels, timeslots 1-15 and 17-31 which correspond to telephone channels 1-30. An additional data channel may be obtained by placing the device in common channel signalling

mode. This allows use of timeslot 16 for 64 kbit/s common channel signalling. Synchronization is included within the CEPT bit stream in the form of a bit pattern inserted into timeslot 0. The contents of timeslot 0 alternate between the frame alignment pattern and the non-frame alignment pattern as described in Figure 3 below. Bit 1 of the frame alignment and non-frame alignment bytes have provisions for additional protection against false synchronization or enhanced error monitoring. This is described in more detail in the following section.

In order to accomplish multiframe synchronization, a 16 frame multiframe is defined by sending four zeros in the high order quartet of timeslot 16 frame 0, i.e., once every 16 frames (see Figure 4). The CEPT format has four signalling bits, A, B, C and D. Signalling bits for all 30 information channels are transmitted in timeslot 16 of frames 1 to 15. These timeslots are subdivided into two quartets (see Table 6).

Cyclic Redundancy Check (CRC)

An optional cyclic redundancy check (CRC) has been incorporated within CEPT bit stream to provide additional protection against simulation of the frame alignment signal, and/or where there is a need for an enhanced error monitoring capability. The CRC process treats the binary string of ones and zeros contained in a submultiframe (with CRC bits set to binary zero) as a single long binary number. This string of data is first multiplied by x^4 then divided by the polynomial x^4+x+1 . This process takes place at both the transmitter and receiver end of the link. The remainder calculated at the receiver is compared to the one received with the data over the link. If they

	Bit Number							
	1	2	3	4	5	6	7	8
Timeslot 0 containing the frame alignment signal	Reserved for International use ⁽¹⁾	0	0	1	1	0	1	1
Timeslot 0 containing the non-frame alignment signal	Reserved for International use ⁽²⁾	1	Alarm indication to the remote PCM multiplex equipment	See Note #3	See Note #3	See Note #3	See Note #3	See Note #3

Figure 3 - Allocation of Bits in Timeslot 0 of the CEPT Link

Note 1 : With CRC active, this bit is ignored.
 Note 2 : With SiMUX active, this bit transmits SMF CRC results in frames 13 and 15.
 Note 3 : Reserved for National use.

Timeslot 16 of frame 0		Timeslot 16 of frame 1		...	Timeslot 16 of frame 15	
0000	XYXX	ABCD bits for telephone channel 1 (timeslot 1)	ABCD bits for telephone channel 16 (timeslot 17)			ABCD bits for telephone channel 15 (timeslot 15)

Figure 4 - Allocation of Bits in Timeslot 16 of the CEPT Link

are the same, it is of high probability that the previous submultiframe was received error free.

The CRC procedure is based on a 16 frame multiframe which is divided into two 8 frame submultiframes (SMF). The frames which contain the frame alignment pattern contain the CRC bits, C₁ to C₄, respectively, in the bit 1 position. The frame which contains the non-frame alignment pattern contains within the bit 1 position, a 6 bit CRC multiframe alignment signal and two spare bits (in frames 13 and 15) which are used for CRC error performance reporting (refer to Figure 5). During the CRC encoding procedure the CRC bit positions are initially set at zero. The remainder of the calculation is stored and inserted into the respective CRC bits of the next SMF. The decoding process repeats the multiplication/division process and compares the remainder with the CRC bits received in the next SMF.

The two spare bits (denoted Si1 and Si2 in Figure 5) following the 6-bit CRC multiframe alignment signal can be used to monitor far-end error performance. The results of the CRC-4 comparisons for the previously received SMFII and SMFI are encoded and transmitted back to the far end in the Si bits (refer to Table 1).

ST-BUS Interface

The ST-BUS is a synchronous time division multiplexed serial bus with data streams operating at 2048 kbit/s and configured as 32, 64 kbit/s channels (refer Figure 6). Synchronization of the data transfer is provided from a frame pulse which identifies the frame boundaries and repeats at an 8 kHz rate. Figure 2 shows how the frame pulse (FOi) defines the ST-BUS frame boundaries. All data is clocked into the device on the falling edge of the 2048 kbit/s clock (C2i), while data is clocked out on the rising edge of the 2048 kbit/s clock at the start of the bit cell.

Si1 bit (frame 13)	Si2 bit (frame 15)	Meaning
1	1	CRC results for both SMFI, II are error free.
1	0	CRC result for SMFII is in error. CRC result for SMFI is error free.
0	1	CRC result for SMFII is error free. CRC result for SMFI is in error.
0	0	CRC results for both SMFI, II are in error.

Table 1. Coding of Spare Bits Si1 and Si2

Multiple Frame Component	Frame Type	CRC Frame #	Timeslot Zero							
			1	2	3	4	5	6	7	8
	Frame Alignment Signal	0	C ₁	0	0	1	1	0	1	1
	Non-Frame Alignment Signal	1	0	1	A ⁽¹⁾	Sn ⁽²⁾	Sn ⁽²⁾	Sn ⁽²⁾	Sn ⁽²⁾	Sn ⁽²⁾
S	Frame Alignment Signal	2	C ₂	0	0	1	1	0	1	1
M	Non-Frame Alignment Signal	3	0	1	A ⁽¹⁾	Sn ⁽²⁾	Sn ⁽²⁾	Sn ⁽²⁾	Sn ⁽²⁾	Sn ⁽²⁾
F	Frame Alignment Signal	4	C ₃	0	0	1	1	0	1	1
	Non-Frame Alignment Signal	5	1	1	A ⁽¹⁾	Sn ⁽²⁾	Sn ⁽²⁾	Sn ⁽²⁾	Sn ⁽²⁾	Sn ⁽²⁾
I	Frame Alignment Signal	6	C ₄	0	0	1	1	0	1	1
	Non-Frame Alignment Signal	7	0	1	A ⁽¹⁾	Sn ⁽²⁾	Sn ⁽²⁾	Sn ⁽²⁾	Sn ⁽²⁾	Sn ⁽²⁾
	Frame Alignment Signal	8	C ₁	0	0	1	1	0	1	1
S	Non-Frame Alignment Signal	9	1	1	A ⁽¹⁾	Sn ⁽²⁾	Sn ⁽²⁾	Sn ⁽²⁾	Sn ⁽²⁾	Sn ⁽²⁾
M	Frame Alignment Signal	10	C ₂	0	0	1	1	0	1	1
F	Non-Frame Alignment Signal	11	1	1	A ⁽¹⁾	Sn ⁽²⁾	Sn ⁽²⁾	Sn ⁽²⁾	Sn ⁽²⁾	Sn ⁽²⁾
	Frame Alignment Signal	12	C ₃	0	0	1	1	0	1	1
I	Non-Frame Alignment Signal	13	Si1 ⁽³⁾	1	A ⁽¹⁾	Sn ⁽²⁾	Sn ⁽²⁾	Sn ⁽²⁾	Sn ⁽²⁾	Sn ⁽²⁾
I	Frame Alignment Signal	14	C ₄	0	0	1	1	0	1	1
	Non-Frame Alignment Signal	15	Si2 ⁽³⁾	1	A ⁽¹⁾	Sn ⁽²⁾	Sn ⁽²⁾	Sn ⁽²⁾	Sn ⁽²⁾	Sn ⁽²⁾

Figure 5 - CRC Bit Allocation and Submultiframing

Note 1 : Remote Alarm. Keep at 0 for normal operation.
 Note 2 : Reserved for National use. Keep at 1 for normal operation.
 Note 3 : Used to monitor far-end CRC error performance.

indicates position of CRC-4 multiframe alignment signal

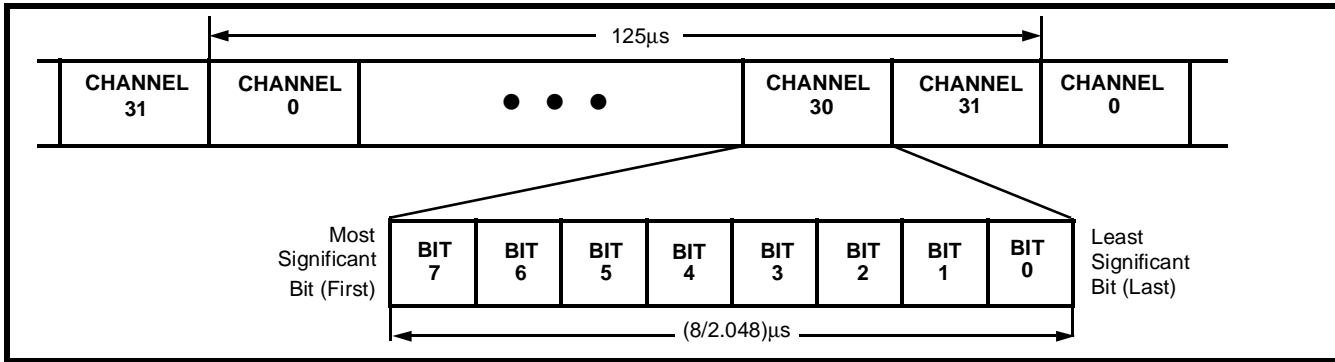


Figure 6 - ST-BUS Stream Format

Data Input (DSTi)

The MH89790B receives information channels on the DSTi pin. Of the 32 available channels on this serial input, 30 are defined as information channels. They are channels 1-15 and 17-31. These 30 timeslots are the 30 telephone channels of the CEPT format numbered 1-15 and 16-30.

Timeslot 0 and 16 are unused to allow the synchronization and signalling information to be inserted, from the Control Streams (CSTi0 and CSTi1). The relationship between the input and output ST-BUS stream and the CEPT line is

illustrated in Figures 7 to 11. In common channel signalling mode timeslot 16 becomes an active channel. In this mode channel 16 on DSTi is transmitted on timeslot 16 of the CEPT link unaltered. This mode is activated by bit 5 of channel 31 of CSTi0.

Control Input 0 (CSTi0)

All the necessary control and signalling information is input through the two control streams. Control ST-BUS input number 0 (CSTi0) contains the control information that is associated with each information channel. Each control channel contains the per channel digital attenuation information, the individual

BIT	NAME	DESCRIPTION																																				
7	DATA	Data Channel: If '1', then the controlled timeslot on the CEPT 2048 kbit/s link is treated as a data channel; i.e., no ADI encoding or decoding is performed on transmission or reception, and digital attenuation is disabled. If '0', then the state of the ADI pin determines whether or not ADI encoding and decoding is performed.																																				
6	LOOP	Per-Channel Loopback: If '1', then the controlled timeslot on the transmitted CEPT 2048 kbit/s link is looped internally to replace the data on the corresponding received timeslot. If '0', then this function is disabled. This function only operates if frame synchronization is received from the CEPT link. If more than one channel is looped per frame only the first one will be active.																																				
5,4,3	RXPAD4,2,1	Receive Attenuation Pad: Per timeslot receive attenuation control bits. <table border="1" style="margin-left: auto; margin-right: auto;"> <thead> <tr> <th>RXPAD4</th> <th>RXPAD2</th> <th>RXPAD1</th> <th>Gain (dB)</th> </tr> </thead> <tbody> <tr><td>0</td><td>0</td><td>0</td><td>0</td></tr> <tr><td>0</td><td>0</td><td>1</td><td>-1</td></tr> <tr><td>0</td><td>1</td><td>0</td><td>-2</td></tr> <tr><td>0</td><td>1</td><td>1</td><td>-3</td></tr> <tr><td>1</td><td>0</td><td>0</td><td>-4</td></tr> <tr><td>1</td><td>0</td><td>1</td><td>-5</td></tr> <tr><td>1</td><td>1</td><td>0</td><td>-6</td></tr> <tr><td>1</td><td>1</td><td>1</td><td>1</td></tr> </tbody> </table>	RXPAD4	RXPAD2	RXPAD1	Gain (dB)	0	0	0	0	0	0	1	-1	0	1	0	-2	0	1	1	-3	1	0	0	-4	1	0	1	-5	1	1	0	-6	1	1	1	1
RXPAD4	RXPAD2	RXPAD1	Gain (dB)																																			
0	0	0	0																																			
0	0	1	-1																																			
0	1	0	-2																																			
0	1	1	-3																																			
1	0	0	-4																																			
1	0	1	-5																																			
1	1	0	-6																																			
1	1	1	1																																			
2,1,0	TXPAD4,2,1	Transmit Attenuation Pad: Per timeslot transmit attenuation control bits. <table border="1" style="margin-left: auto; margin-right: auto;"> <thead> <tr> <th>TXPAD4</th> <th>TXPAD2</th> <th>TXPAD1</th> <th>Gain (dB)</th> </tr> </thead> <tbody> <tr><td>0</td><td>0</td><td>0</td><td>0</td></tr> <tr><td>0</td><td>0</td><td>0</td><td>-1</td></tr> <tr><td>0</td><td>1</td><td>1</td><td>-2</td></tr> <tr><td>0</td><td>1</td><td>0</td><td>-3</td></tr> <tr><td>1</td><td>0</td><td>1</td><td>-4</td></tr> <tr><td>1</td><td>0</td><td>0</td><td>-5</td></tr> <tr><td>1</td><td>1</td><td>1</td><td>-6</td></tr> <tr><td>1</td><td>1</td><td>0</td><td>1</td></tr> </tbody> </table>	TXPAD4	TXPAD2	TXPAD1	Gain (dB)	0	0	0	0	0	0	0	-1	0	1	1	-2	0	1	0	-3	1	0	1	-4	1	0	0	-5	1	1	1	-6	1	1	0	1
TXPAD4	TXPAD2	TXPAD1	Gain (dB)																																			
0	0	0	0																																			
0	0	0	-1																																			
0	1	1	-2																																			
0	1	0	-3																																			
1	0	1	-4																																			
1	0	0	-5																																			
1	1	1	-6																																			
1	1	0	1																																			

Table 2. Per Channel Control Word: Data Format for CSTi0 Channels 0-14, and 16-30

DSTi Channel #	0	1	2	3	4	5	6	7	8	9	10	11	12	13	14	15	16	17	18	19	20	21	22	23	24	25	26	27	28	29	30	31
CEPT Timeslot #	1	2	3	4	5	6	7	8	9	10	11	12	13	14	15	CCS	17	18	19	20	21	22	23	24	25	26	27	28	29	30	31	

Figure 7 - Relationship between Input DSTi Channels and Transmitted CEPT Timeslots

DSTi Channel #	0	1	2	3	4	5	6	7	8	9	10	11	12	13	14	15	16	17	18	19	20	21	22	23	24	25	26	27	28	29	30	31
CEPT Timeslot #	0	1	2	3	4	5	6	7	8	9	10	11	12	13	14	15	SIG	17	18	19	20	21	22	23	24	25	26	27	28	29	30	31

Figure 8 - Relationship between Received CEPT Timeslots and Output DSTo Channels

CSTi0 Channel #	0	1	2	3	4	5	6	7	8	9	10	11	12	13	14	15	16	17	18	19	20	21	22	23	24	25	26	27	28	29	30	31
Device Control																C1																C2
CEPT Channel# Control Word	1	2	3	4	5	6	7	8	9	10	11	12	13	14	15	17	18	19	20	21	22	23	24	25	26	27	28	29	30	31		

Figure 9 - Relationship between Input CSTi0 Channels and Controlled CEPT Timeslots

CSTi1 Channel #	0	1	2	3	4	5	6	7	8	9	10	11	12	13	14	15	16	17	18	19	20	21	22	23	24	25	26	27	28	29	30	31	
Device Control																																	
CEPT FRAME # CHANNEL #	0	1	2	3	4	5	6	7	8	9	10	11	12	13	14	15	A	N															
	16	16	16	16	16	16	16	16	16	16	16	16	16	16	16	16	0	0															

Figure 10 - Relationship between Input CSTi1 Channels and Transmitted CEPT Frames

CSTo Channel #	0	1	2	3	4	5	6	7	8	9	10	11	12	13	14	15	16	17	18	19	20	21	22	23	24	25	26	27	28	29	30	31	
Device Status																					S1	S2	S3	S4	*	*	*	*	*	*	*	*	
CEPT FRAME # TIMESLOT #	0	1	2	3	4	5	6	7	8	9	10	11	12	13	14	15	A	N															
	16	16	16	16	16	16	16	16	16	16	16	16	16	16	16	16	0	0															

Figure 11- Relationship between Received CEPT Frames and Output CSTo Channels

- * Denotes Unused Channel (CSTo output is not put in high impedance state)
- A Denotes Frame-Alignment Frame
- N Denotes Non Frame-Alignment Frame
- C1, C2, C3 Denotes Master Control Words 1,2,3
- SIG Denotes Signalling Channel
- CCS Denotes Signalling Channel if Common Channel Signalling Mode Selected
- S1 Denotes Master Status Word 1 (MSW1)
- S2 Denotes Phase Status Word (PSW)
- S3 Denotes CRC Error Count
- S4 Denotes Master Status Word 2 (MSW2)

BIT	NAME	DESCRIPTION
7	(N/A)	Keep at '1' for normal operation.
6	LOOP16	Channel 16 Loopback: If '1', then timeslot 16 on the transmitted CEPT 2048 kbit/s link is looped internally to replace the data received on timeslot 16. If '0,' then this function is disabled. This function only operates if frame synchronization is received from the CEPT link and only a single timeslot can be looped within the frame.
5,4	(N/A)	Keep at '1' for normal operation.
3,2, 1 & 0	NDBD, NDBC, NDBB & NDBA	Signalling Bit Debounce: If '1', then no debouncing is applied to the received A, B, C or D signalling bits. If '0', then the received A, B, C or D signalling bits are debounced for between 6 and 8 ms.

Table 3. Master Control Word 1 (MCW1): Data Format for CSTi0 Channel 15

BIT	NAME	DESCRIPTION
7	(N/A)	Keep at '1' for normal operation.
6	(N/A)	Keep at '0' for normal operation.
5	CCS	Common Channel Signalling: If 1, then the MH89790B operates in its common channel signalling mode. Channel 16 on the DSTi pin is transmitted on timeslot 16 of the CEPT link, and timeslot 16 from the received CEPT link is output on channel 16 on the DSTo pin. Channel 15 on the CSTi0 pin contains the information for the control of timeslot 16. Channels 0 to 15 on CSTi1 and CSTo are unused. If '0', the device is in channel associated signalling mode where channel 16 is used to transmit the ABCD signalling bits.
4	8kHzSEL	8kHz Select: If '1', then an 8 kHz signal synchronized to the received CEPT 2048 kbit/s link is output on the E8Ko pin. This feature is only valid when frame synchronization is received from the CEPT link. If '0', then the E8Ko pin goes into its high impedance state.
3	TXAIS	Transmit Alarm Indication Signal: If '1', then an all 1's alarm signal is transmitted on all timeslots. If '0', then the timeslots functions normally.
2	TXTS16AIS	Transmit Timeslot 16 Alarm Indication Signal: If '1', then an all 1's alarm signal is transmitted on timeslot 16. If '0', then timeslot 16 functions normally.
1	XCtl	External Control: If '1', then the XCtl pin is driven high. If '0', then the XCtl pin is driven low.
0	(N/A)	(unused)

Table 4. Master Control Word 2 (MCW2): Data Format for CSTi0 Channel 31

BIT	NAME	DESCRIPTION
7-4	MA1-4	Transmit Multiframe Alignment Bits 1 to 4: These bits are transmitted on the CEPT 2048 kbit/s link in bit positions 1 to 4 of timeslot 16 of frame 0 of the multiframe. They should be kept at '0' to allow multiframe alignment to be detected.
3	X1	This bit is transmitted on the CEPT 2048 kbit/s link in bit position 5 of timeslot 16 of frame 0 of the multiframe. It is a spare bit which should be kept at '1' if unused.
2	Y	This bit is transmitted on the CEPT 2048 kbit/s link in bit position 6 of timeslot 16 of frame 0 of the multiframe. It is used to indicate the loss of multiframe alignment to the remote end of the link. A '1' on this bit is the signal that multiframe alignment on the received link has been lost. A '0' indicates that multiframe alignment is detected.
1,0	X2,X3	These bits are transmitted on the CEPT 2048 kbit/s link in bit positions 7 and 8 respectively, of timeslot 16 of frame 0 of the multiframe. They are spare bits which should be kept at '1' if unused.

Table 5. Multiframe Alignment Signal:Data Format for CSTi1Channel 0 on the Transmitted CEPT Link

loopback control bit, and the voice or data channel identifier, see Table 2. When a channel is in data mode (B7 is high) the digital attenuation and Alternate Digit Inversion are disabled. It should be noted that the control word for a given information channel is input one timeslot early, i.e., channel 0 of CSTi0 controls channel 1 of DSTi. Channels 15 and

31 of CSTi0 contain Master Control Words 1 and 2 (MCW1, MCW2) which are used to set up the interface feature as seen by the respective bit functions of Tables 3 and 4.

BIT	NAME	DESCRIPTION
7, 6, 5 & 4	A(N), B(N), C(N) & D(N)	Transmit Signalling Bits for Channel N: These bits are transmitted on the CEPT 2048 kbit/s link in bit positions 1 to 4 of timeslot 16 in frame N, and are the A, B, C and D signalling bits associated with telephone channel N. The value of N lies in the range 1 to 15 and refers to the channel on the CSTi1 channel from which the bits are sourced, the telephone channel with which the bits are associated and the frame on the CEPT link on which the bits are transmitted. For example, the bits input on the CSTi1 pin on channel 3 are associated with telephone channel 3, which is timeslot 3 of the CEPT link, and are transmitted on bits positions 1 to 4 of timeslot 16 in frame 3 of each multiframe on the CEPT link. If bits B, C or D are not used they should be given the values '1, 0' and '1' respectively. The combination '0000' for ABCD bits should not be used for telephone channels 1 to 15 as this would interfere with multiframe alignment.
3, 2, 1 & 0	A(N+15), B(N+15), C(N+15) & D(N+15)	Transmit Signalling Bits for Channel N+15: These bits are transmitted on the CEPT 2048 kbit/s link in bit positions 5 to 8 of timeslot 16 in frame N, and are the A, B, C and D signalling bits associated with telephone channel N+15. The value of N lies in the range 1 to 15 and refers to both the channel on the CSTi1 stream where the bits are supplied and the frame on the CEPT link on which the bits are transmitted, and indirectly indicates the telephone channel with which the bits are associated. For example, the bits input on the CSTi1 pin on channel 3 are associated with telephone channel 18, which is timeslot 19 of the CEPT link, and are transmitted in bits positions 5 to 8 of timeslot 16 in frame 3 of each multiframe on the CEPT link.

Table 6. Channel Associated Signalling: Data Format for CSTi1 Channels 1 to 15

BIT	NAME	DESCRIPTION
7	IU0	International Use 0: When CRC is disabled, this bit is transmitted on the CEPT 2048 kbit/s link in bit position 1 of timeslot 0 of frame-alignment frames. It is reserved for international use and should be kept at '1' when not used. If CRC is enabled, this bit is not used.
6-0	FAF2-8	Transmit Frame Alignment Signal Bits 2 to 8: These bits are transmitted on the CEPT 2048 kbit/s link in bit positions 2 to 8 of timeslot 0 of frame-alignment frames. These bits form the frame alignment signal and should be set to '0011011'.

Table 7. Frame-Alignment Signal: Data Format for CSTi1 Channel 16

BIT	NAME	DESCRIPTION
7	IU1	International Use 1: When the CRC is disabled and SiMUX bit in MCW3 is disabled, this bit is transmitted on the CEPT 2048 kbit/s link in bit position 1 of timeslot 0 of non-frame-alignment frames. It is reserved for international use and should be kept at '1' when not used. If CRC is enabled and SiMUX is disabled, this bit is transmitted in bit 1 of timeslot 0 for frame 13 and 15. If both CRC and SiMUX are enabled, then this bit is not used.
6	NFAF	Transmit Non-Frame Alignment Bit: This bit is transmitted on the CEPT 2048 kbit/s link in bit position 2 of timeslot 0 of non-frame-alignment frames. In order to differentiate between frame-alignment frames and non-frame-alignment frames, this bit should be kept at '1'.
5	ALM	Non-Frame Alignment Alarm: This bit is transmitted on the CEPT 2048 kbit/s link in bit position 3 of timeslot 0 of non-frame-alignment frames. It is used to signal an alarm to the remote end of the CEPT link. The bit should be set to '1' to signal an alarm and should be kept at '0' under normal operation.
4-0	NU1-5	National Use: These bits are transmitted on the CEPT 2048 kbit/s link in bit positions 4 to 8 of timeslot 0 of non-frame-alignment frames. These bits are reserved for national use, and on crossing international borders they should be set to '1'.

Table 8. Non-Frame-Alignment Signal: Data Format for CSTi1 Channel 17

BIT	NAME	DESCRIPTION
7	N/A	Keep at zero for normal operation.
6	SiMUX	When set to '1', this bit will cause the SMFI CRC result to be transmitted in the next outgoing Si1 bit in frame 13 and the SMFII CRC result to be transmitted in the next outgoing Si2 bit in frame 15.
5	RMLOOP	Remote Loopback: If set the RxT and RxR signals are looped to OUTA and OUTB, respectively.
4	HDB3en	Enable HDB3 Encoding: A '1' will disable the HDB3 line coding and transmit the information transparently.
3	Maint	Maintenance: A '1' will force a complete reframe if the CRC multiframe synchronization is not achieved within 8 ms of frame synchronization. Reframe will also be generated if more than 914 CRC errors occur within a one second interval (CRC error counter is reset with every one second interval). A '0' will disable this option.
2	CRCen	Enable Cyclical Redundancy Check: A '1' will enable the CRC generation on the transmit data. A '0' will disable the CRC generator. The CRC receiver is always active regardless of the state of CRCen.
1	DGLOOP	Digital Loopback: When set, the transmitted signal is looped around from DSTi to DSTo. The normal received data is interrupted.
0	ReFR	Force Reframe: If set, for at least one frame, and then cleared the chip will begin to search for a new frame position when the chip detects the change in state from high to low. Only the change from high to low will cause a reframe, not a continuous low level.

Table 9. Master Control Word 3 (MCW3): Data Format for CSTi1 Channel 18

BIT	NAME	DESCRIPTION
7-4	MA1-4	Receive Multiframe Alignment Bits 1 to 4: These are the bits which are received from the CEPT 2048 kbit/s link in bit positions 1 to 4 of timeslot 16 of frame 0 of the multiframe. They should all be '0'.
3	X1	This is the bit which is received on the CEPT 2048 kbit/s link in bit position 5 of timeslot 16 of frame 0 of the multiframe. It is a spare bit which should be '1' if unused. It is not debounced.
2	Y	This is the bit which is received on the CEPT 2048 kbit/s link in bit position 6 of timeslot 16 of frame 0 of the multiframe. It is used to indicate the loss of multiframe alignment at the remote end of the link. A '1' on this bit is the signal that multiframe alignment at the remote end of the link has been lost. A '0' indicates that multiframe alignment is detected. It is not debounced.
1,0	X2,X3	These are the bits which are received on the CEPT 2048 kbit/s link in bit positions 7 and 8 respectively, of timeslot 16 of frame 0 of the multiframe. They are spare bits which should be '1' if unused. They are not debounced.

Table 10. Received Multiframe Alignment Signal: Data Format for CSTo Channel 0

Control Input 1 (CSTi1)

Control ST-BUS input stream number 1 (CSTi1) contains the synchronization information and the A, B, C & D signalling bits for insertion into timeslot 16 of the CEPT stream (refer to Tables 5 to 8). Timeslot 0 contains the four zeros of the multiframe alignment signal plus the XYXX bits (see Figure 4). Channels 1 to 15 of CSTi1 contain the A, B, C & D signalling bits as defined by the CEPT format (see Figure 4), i.e., channel 1 of CSTi1 contains the A, B, C & D bits for DSTi timeslots 1 and 17. Channel 16 contains the frame alignment signal, and channel 17 contains the non-frame alignment signal (see Figure 3). Channel 18 contains the Master Control Word 3 (see Table 9).

Figure 10 shows the relationship between the control stream (CSTi1) and the CEPT stream.

Control Output (CSTo)

Control ST-BUS output (CSTo) contains the multiframe signal from timeslot 16 of frame 0 (see Table 10). Signalling bits, A, B, C & D for each CEPT channel are sourced from timeslot 16 of frames 1-15 and are output in channels 1-15 on CSTo, as shown in Table 11. The frame alignment signal and non-frame alignment signal, received from timeslot 0 of alternate frames are output in timeslots 16 and 17, as shown in Tables 12 and 13.

BIT	NAME	DESCRIPTION
7, 6, 5 & 4	A(N), B(N), C(N) & D(N)	Receive Signalling Bits for Channel N: These are the bits which are received from the CEPT 2048 kbit/s link in bit positions 1 to 4 of timeslot 16 in frame N (frame #), and are the A, B, C and D signalling bits associated with telephone channel N. The value of N lies in the range 1 to 15 and refers to the channel on the CSTo stream on which the bits are output, the telephone channel with which the bits are associated and the frame on the CEPT link on which the bits are received. For example, the bits output on the CSTo stream on channel 3 are associated with telephone channel 3, which is timeslot 3 of the CEPT link, and are received on bits positions 1 to 4 of timeslot 16 in frame 3 of each multiframe on the CEPT link . If bits B, C or D are not used they should have the values '1, 0' and '1', respectively. The combination '0000' for ABCD bits should not be found for telephone channels 1 to 15 as this implies interference with multiframe alignment.
3, 2, 1 & 0	A(N+15), B(N+15), C(N+15) & D(N+15)	Receive Signalling Bits for Channel N+ 15: These are the bits which are received from the CEPT 2048 kbit/s link in bit positions 5 to 8 of timeslot 16 in frame N, and are the A, B, C and D signalling bits associated with telephone channel N+15. The value of N lies in the range 1 to 15 and refers to both the channel on the CSTo stream where the bits are output and the frame on the CEPT link on which the bits are received, and indirectly indicates the telephone channel with which the bits are associated. The associated channel is N+15. For example, the bits output on the CSTo stream on channel 3 are associated with telephone channel 18, which is timeslot 19 of the CEPT link, and are received on bits positions 5 to 8 of timeslot 16 in frame 3 of each multiframe on the CEPT link .

Table 11. Received Channel Associated Signalling: Data Format for CSTo Channels 1 to 15

BIT	NAME	DESCRIPTION
7	IU0	International Use 0: This is the bit which is received from the CEPT 2048 kbit/s link in bit position 1 of timeslot 0 of frame-alignment frames . It is reserved for the CRC remainder or for international use.
6-0	FAF2-8	Frame Alignment Signal Bits 2 to 8: These are the bits which are received from the CEPT 2048 kbit/s link in bit positions 2 to 8 of timeslot 0 of frame-alignment frames . These bits form the frame alignment signal and should have the values of '0011011'.

Table 12. Received Frame Alignment Signal: Data Format for CSTo Channel 16

BIT	NAME	DESCRIPTION
7	IU1	International Use 1: This is the bit which is received from the CEPT 2048 kbit/s link in bit position 1 of timeslot 0 of non-frame-alignment frames. It is reserved for CRC framing bits or international bits.
6	NFAF	Receive Non-Frame Alignment Bit: This is the bit which is received from the CEPT 2048 kbit/s link in bit position 2 of timeslot 0 of non-frame-alignment frames . This bit should be '1' in order to differentiate between frame-alignment frames and non-frame-alignment frames.
5	ALM	Non-Frame Alignment Alarm: This bit is received from the CEPT 2048 kbit/s link in bit position 3 of timeslot 0 of non-frame-alignment frames . It is used to signal an alarm from the remote end of the CEPT link. This bit should have the value '0' under normal operation and should go to '1' to signal an alarm.
4-0	NU1-5	National Use: These are the bits which are received on the CEPT 2048 kbit/s link in bit positions 4 to 8 of timeslot 0 of non-frame-alignment frames . These bits are reserved for national use, and on crossing international borders they should have the value '1'.

Table 13. Received Non-Frame Alignment Signal: Data Format for CSTo Channel 17

BIT	NAME	DESCRIPTION
7	$\overline{\text{TFSYN}}$	Frame Sync: This bit goes to '1' to indicate a loss of frame alignment synchronization by the MH89790B. It goes to '0' when frame synchronization is detected.
6	$\overline{\text{MFSYN}}$	Multiframe Sync: This bit goes to '1' to indicate a loss of multiframe synchronization by the MH89790B. It goes to '0' when multiframe synchronization is detected.
5	ERR	Frame Alignment Error: This bit changes state when 16 or more errors have been detected in the frame alignment signal. It will not change state more than once every 128 ms.
4	SLIP	Control Slip: This bit changes state when a slip occurs between the received CEPT 2048 kbit/s link and the 2048 kbit/s ST-BUS.
3	RXAIS	Receive Alarm Indication Signal: This bit goes to '1' to signal that an all-ones alarm signal has been detected on the received CEPT 2048 kbit/s link. It goes to '0' when the all-ones alarm signal is removed.
2	RXTS16AIS	Receive Timeslot 16 Alarm Indication Signal: This bit goes to '1' to signal that an all-ones alarm signal has been detected on channel 16 of the received CEPT 2048 kbit/s link. It goes to '0' when the all-ones alarm signal is removed.
1	XSt	External Status: This bit contains the data sampled once per frame at the XSt pin.
0	N/A	(Unused).

Table 14. Master Status Word 1 (MSW1): Data Format for CSto Channel 18

BIT	NAME	DESCRIPTION
7 - 3	TxTSC	Transmit Timeslot Count: The value of these five bits indicate the timeslot count between the ST-BUS frame pulse and the rising edge of E8Ko.
2 - 0	TxBTC	Transmit Bit Count: The value of these three bits indicate the bit position within the timeslot count reported in TxTSC above.

Table 15. Phase Status Word (PSW): Data Format for CSto Channel 19

BIT	NAME	DESCRIPTION
7 - 0	CERC	CRC Error Counter: This byte is the CRC error counter. The counter will wrap around once it reaches FF count. If maintenance option is activated, the counter will reset once per second.

Table 16. CRC Error Count: Data Format for CSto Channel 20

BIT	NAME	DESCRIPTION
7	Si2	The received Si bit in frame 15 is reported in this bit. Si2 will be updated after each RXMF pulse (pin 23).
6	Si1	The received Si bit in frame 13 is reported in this bit. Si1 will be updated after each RXMF pulse (pin 23).
5-4	NA	Unused.
3	CRCTimer	CRC Timer: Transition from 1 to 0 indicates the start of one second interval in which CRC errors are accumulated. This bit stay high for 8 ms.
2	CRCTRef	CRC Reframe: A '1' indicates that the receive CRC multiframe synchronization could not be found within the time out period of 8 ms after detecting frame synchronization. This bit will go low if $\overline{\text{CRCSync}}$ goes low or if Maintenance is not activated.
1	$\overline{\text{CRCSync}}$	CRC Sync: A '0' indicates that CRC multiframe has been detected.
0	FrmPhase	Frame Count: This is the ninth and most significant bit of the Phase Status Word (see Table 15). If the phase status word is incrementing, this bit will toggle when the phase reading exceeds ST-BUS channel 31, bit 7. If the phase word is decrementing, then this bit will toggle when the reading goes below ST-BUS channel 0, bit 0.

Table 17. Master Status Word 2 (MSW2): Data Format for CSto Channel 21

Channel 18 contains a Master Status Word 1 (MSW1) which provides to the user information needed to determine the operating condition of the CEPT interface, i.e., frame synchronization, multiframe synchronization, frame alignment byte errors, slips, alarms, and the logic of the external status pin (see Table 14). Figure 11 shows the relationship between the control stream channels, and the CEPT signalling channels in the multiframe. The ERR bit in the Master Status Word 1 is an indicator of the number of errored frame alignment bytes that have been received in alternate timeslot zero. The time interval between toggles of the ERR bit can be used to evaluate the bit error rate of the line according to the CCITT Recommendation G.732 (see section on Frame Alignment Error Counter).

Channel 19 contains the Phase Status Word (see Table 15) which can be used to determine the phase relationship between the ST-BUS frame pulse ($\overline{F0i}$) and the rising edge of E8Ko. This information could be used to determine the long term trend of the received data rate, or to identify the direction of a slip.

Channel 20 contains the CRC error count (see Table 16). This counter will wrap around once terminal count is achieved (256 errors). If the maintenance option is selected (bit 3 of MCW3) the counter is reset once per second.

Channel 21 contains the Master Status Word 2 (see Table 17). This byte identifies the status of the CRC reframe and CRC sync. It also reports the Si bits received in timeslot 0 of frames 13 and 15 and the ninth and most significant bit (b_8) of the 9-bit Phase Status Word.

Elastic Buffer

The MH89790B has a two frame elastic buffer at the receiver which absorbs the jitter and wander in the received signal. The received data is written into the elastic buffer with the extracted E2o (2048 kHz) clock and read out of the buffer on the ST-BUS side with the system C2i (2048 kHz) clock (e.g., PBX system clock). Under normal operating conditions, in a synchronous network, the system C2i clock is phase-locked to the extracted E2o clock. In this situation every write operation to the elastic buffer is followed by a read operation. Therefore, underflow or overflow of data in the elastic buffer will not occur.

If the system clock is not phase-locked to the extracted clock (e.g., lower quality link which is not selected as the clock source for the PBX) then the data rate at which the data is being written into the

device on the line side may differ from the rate at which it is being read out on the ST-BUS side.

When the clocks are not phase-locked, two situations can occur:

Case #1: If the data on the line side is being written in at a rate SLOWER than it is being read out on the ST-BUS side, the distance between the write pointer and the read pointer will begin to decrease over time. When the distance is less than two channels, the buffer will perform a controlled slip which will move the read pointers to a new location 34 channels away from the write pointer. This will result in the REPETITION of the received frame.

Case #2: If the data on the line side is being written in at a rate FASTER than it is being read out on the ST-BUS side, the distance between the write pointer and the read pointer will begin to increase over time. When the distance exceeds 42 channels, the elastic buffer will perform a controlled slip which will move the read pointer to a new location ten channels away from the write pointer. This will result in the LOSS of the last received frame.

Note that when the device performs a controlled slip, the ST-BUS address pointer is repositioned so that there is either a 10 channel or 34 channel delay between the input CEPT frame and the output ST-BUS frame. Since the buffer performs a controlled slip only if the delay exceeds 42 channels or is less than two channels, there is a minimum eight channel hysteresis built into the slip mechanism. The device can, therefore, absorb eight channels or 32.5 μ s of jitter in the received signal.

There is no loss of frame synchronization, multiframe synchronization or any errors in the signalling bits when the device performs a slip.

Frame Alignment Error Counter

The MH89790B provides an indication of the bit error rate found on the link as required by CCITT Recommendation G.703. The ERR bit (Bit 5 of MSW1) is used to count the number of errors found in the frame alignment signal and this can be used to estimate the bit error rate. The ERR bit changes state when 16 errors have been detected in the frame alignment signal. This bit can not change state more than once every 128 ms, placing an upper limit on the detectable error rate at approximately 10^{-3} . The following formula can be used to calculate the BER:

$$\text{BER} = \frac{16 * \text{number of times ERR bit toggles}}{7 * 4000 * \text{elapsed time in seconds}}$$

where:

- 7 -is the number of bits in the frame alignment signal (0011011).
- 16 -is the number of errored frame alignment signals counted between changes of state of the ERR bit.
- 4000 -is the number of frame alignment signals in a one second interval.

This formula provides a good approximation of the BER given the following assumptions:

1. The bit errors are uniformly distributed on the line. In other words, every bit in every channel is equally likely to get an error.
2. The errors that occur in channel 0 are bit errors. If the first assumption holds and the bit error rate is reasonable, (below 10^{-3}) then the probability of two or more errors in 7 bits is very low.

Attenuation ROM

All transmit and receive data in the MH89790B is passed through the digital attenuation ROM according to the values set on bits 5 - 0 of data channels in the control stream (CSTi0). Data can be attenuated on a per-channel basis from 1 to 6 dB for both Tx and Rx data (refer Table 2).

Digital attenuation is applied on a per-channel basis to the data found one channel after the control information stored in the control channel CSTi0, i.e., control stream 0 channel 4 contains the attenuation setting for data stream (DSTo) channel 5.

Signalling Bit RAM

The A, B, C, & D Bit RAM is used to retain the status of the per-channel signalling bits so that they may be multiplexed into the Control Output Stream (CSTo). This signalling information is only valid when the module is synchronized to the received data stream. If synchronization is lost, the status of the signalling bits will be retained for 6.0 ms provided the signalling debounce is active.

Integrated into the signalling bit RAM is a debounce circuit which will delay valid signalling bit changes for

6.0 to 8.0 ms. By debouncing the signalling bits, a bit error in the latter will not affect the call in progress. (See Table 3, bits 3-0 of channel 15 on the CSTi0 line.)

CEPT PCM 30 Format MUX

The internal multiplexer formats the data stream corresponding to the CEPT PCM 30 format. The multiplexer will use timeslots 1 to 15 and 17 to 31 for data and timeslots 0 & 16 for the synchronization and channel associated signalling.

The frame alignment and non-frame alignment signals for timeslot zero are sourced by the control stream input CSTi1 channel 16 and 17, respectively. The most significant bit of timeslot zero will optionally contain the cyclical redundancy check, CRC multiframe signal and Si bits used for far-end CRC monitoring.

Framing Algorithms

There are three distinct framers within the MH89790B. These include a frame alignment framer, a multiframe framer and a CRC framer. Figure 12 shows the state diagram of the framing algorithms. The dotted lines show optional features which are enabled in the maintenance mode, that is selected by setting Maint bit of the Master Control Word 3 to "1".

The frame synchronization circuit searches for the first frame alignment signal within the bit stream. Once detected, the frame counters are set to find the non-frame alignment signal. If bit 2 of the non-frame alignment signal is not one, a new search is initiated, else the framer will monitor for the frame alignment in the next frame. If the frame alignment signal is found, the device immediately declares frame synchronization.

The multiframe synchronization algorithm is dependent upon the state of frame alignment framer. The multiframe framer will not initiate a search for multiframe synchronization until frame sync is achieved. Multiframe synchronization will be declared on the first occurrence of four consecutive zeros in the higher order quartet of channel 16. Once multiframe synchronization is achieved, the framer will only go out of synchronization after detection of two errors in the multiframe signal or loss of frame alignment synchronization.

The CRC synchronization algorithm is also dependent on the state of the frame alignment

framer, but is independent of the multiframe synchronization. The CRC framer will not initiate a search for CRC framing signal until frame alignment synchronization is achieved. Once frame alignment synchronization is acquired, the CRC framer must find two framing signals in bit 1 of the non-frame alignment signal. Upon detection of the second CRC framing signal the MH89790B will immediately go into CRC synchronization. When maintenance feature is enabled (maint bit = 1) the CRC framer will force a complete reframe of the device if CRC frame synchronization is not found within 8 ms or more than 914 CRC errors occur per second.

Bipolar Line Receiver

The MH89790B receiver interfaces to the transmission line through a pulse transformer which splits the received AMI line signal into \overline{RxA} and \overline{RxB} . These two signals are combined by an internal NAND gate to form a new signal, which represents received data. The received data is clocked into the chip on the falling edge of E2o. Figure 28 shows the functional timing of the bipolar receiver.

Input impedance seen by the transmission line is about 75 ohms, (transformer ratio 1:1:1 with center-tap grounded) as required by G.703 for coaxial cable. Attenuation of the transmission line shall not exceed 6dB (at 1024 kHz) and attenuation characteristics shall be close to the "square root of F".

$$AF [dB] = AF_{ref} [dB] * \sqrt{\frac{f}{f_{ref}}}$$

where:

AF - attenuation at frequency f in dB

AF_{ref} - attenuation at frequency f_{ref} in dB (in this case 6 dB)

f_{ref} - reference frequency (in this case 1024 kHz)

f - frequency in kHz

Input jitter tolerance of the MH89790B exceeds minimum jitter tolerance as specified in CCITT I.431 and G.823 (see Figure 13).

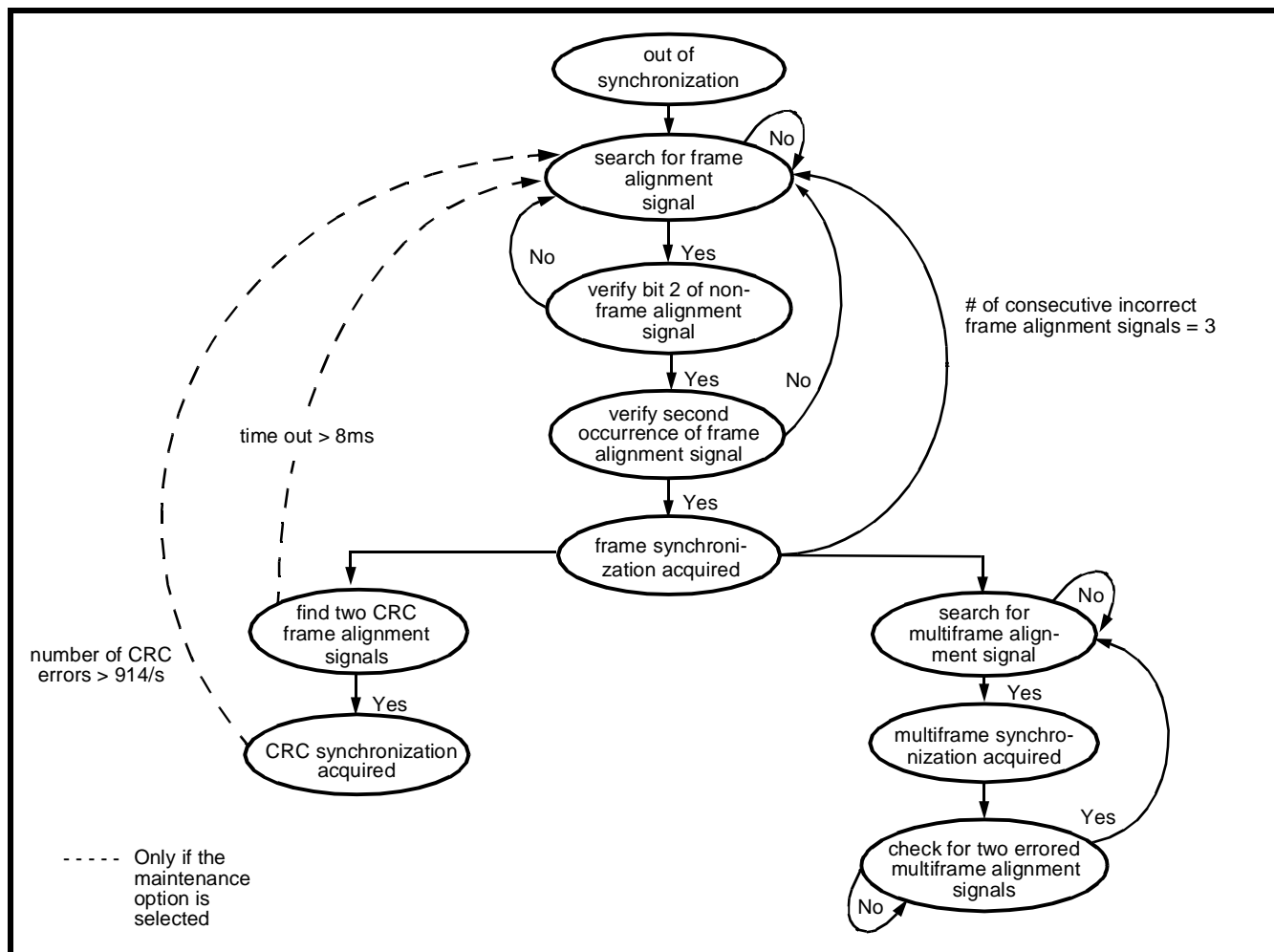


Figure 12 - Synchronization State Diagram

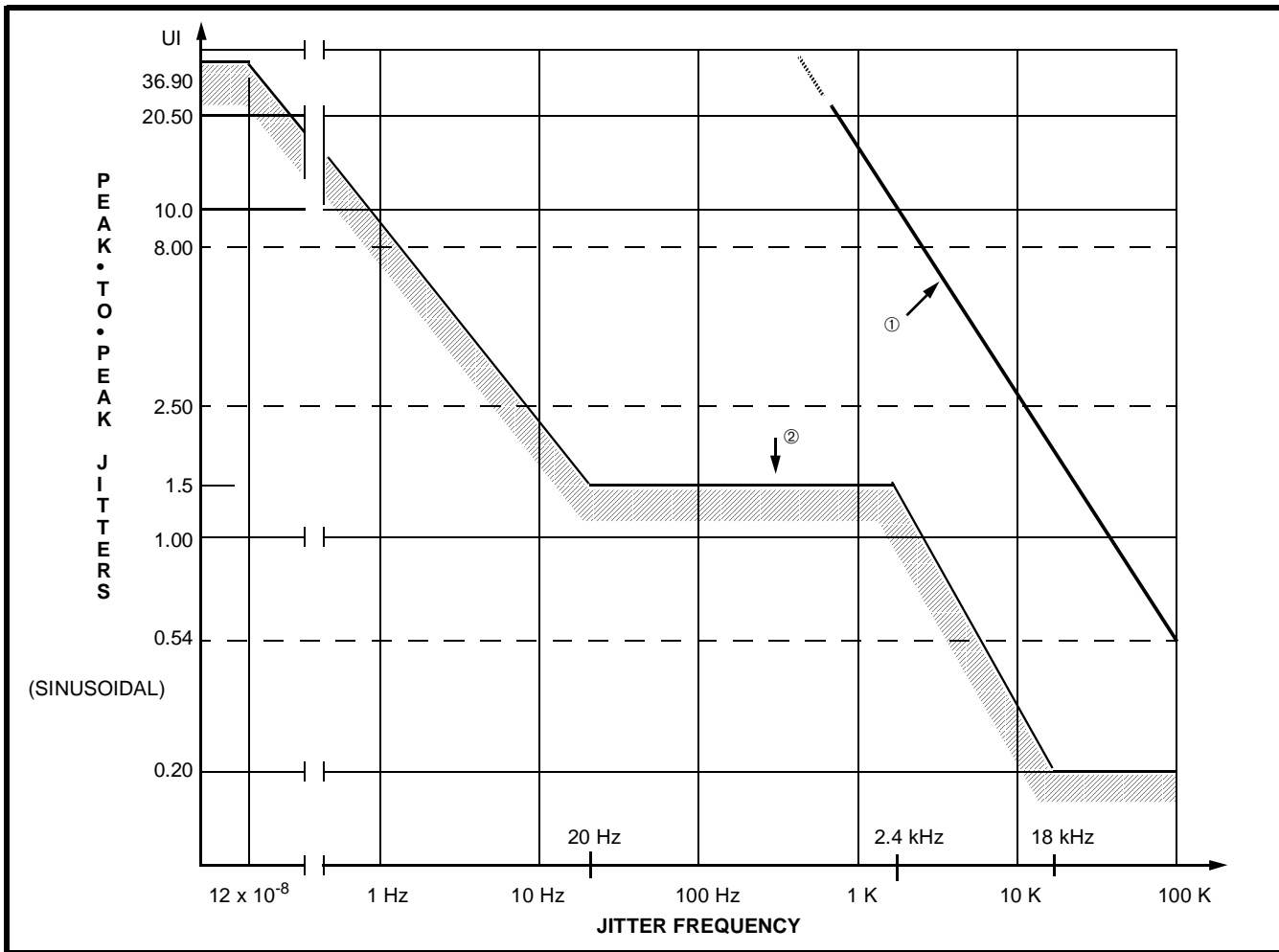


Figure 13 - Input Jitter Tolerance of MH89790B

- ① - Maximum jitter tolerance of receiver
- ② - Minimum jitter tolerance specified by G.823 and I.431

Bipolar Line Transmitter

The MH89790B provides two open collector drivers, OUTA and OUTB. These outputs are suitable for driving a center-tapped pulse transformer. Figure 29 illustrates how the two outputs combine to create opposite polarities of the AMI line code. Each output steers the transformer into producing a pulse of the opposite polarity.

The extracted 8 kHz output (E8Ko) is derived from E2o clock by dividing it by 256. It can be used by an external phase-locked loop to generate the system clock and frame pulse that is synchronized to the network (see Figure 15).

Clock Extractor

The MH89790B contains a clock extraction circuit that generates the E2o clock from the received data. This clock is used to latch received data. The falling edge of E2o is approximately aligned with the center of the received data pulse. Alignment between these signals can be disrupted by jitter and wander on the received signal. Maximum tolerance of the MH89790B to the input jitter is shown in Figure 13 relative to minimum jitter tolerance specified in G.823 and I.431.

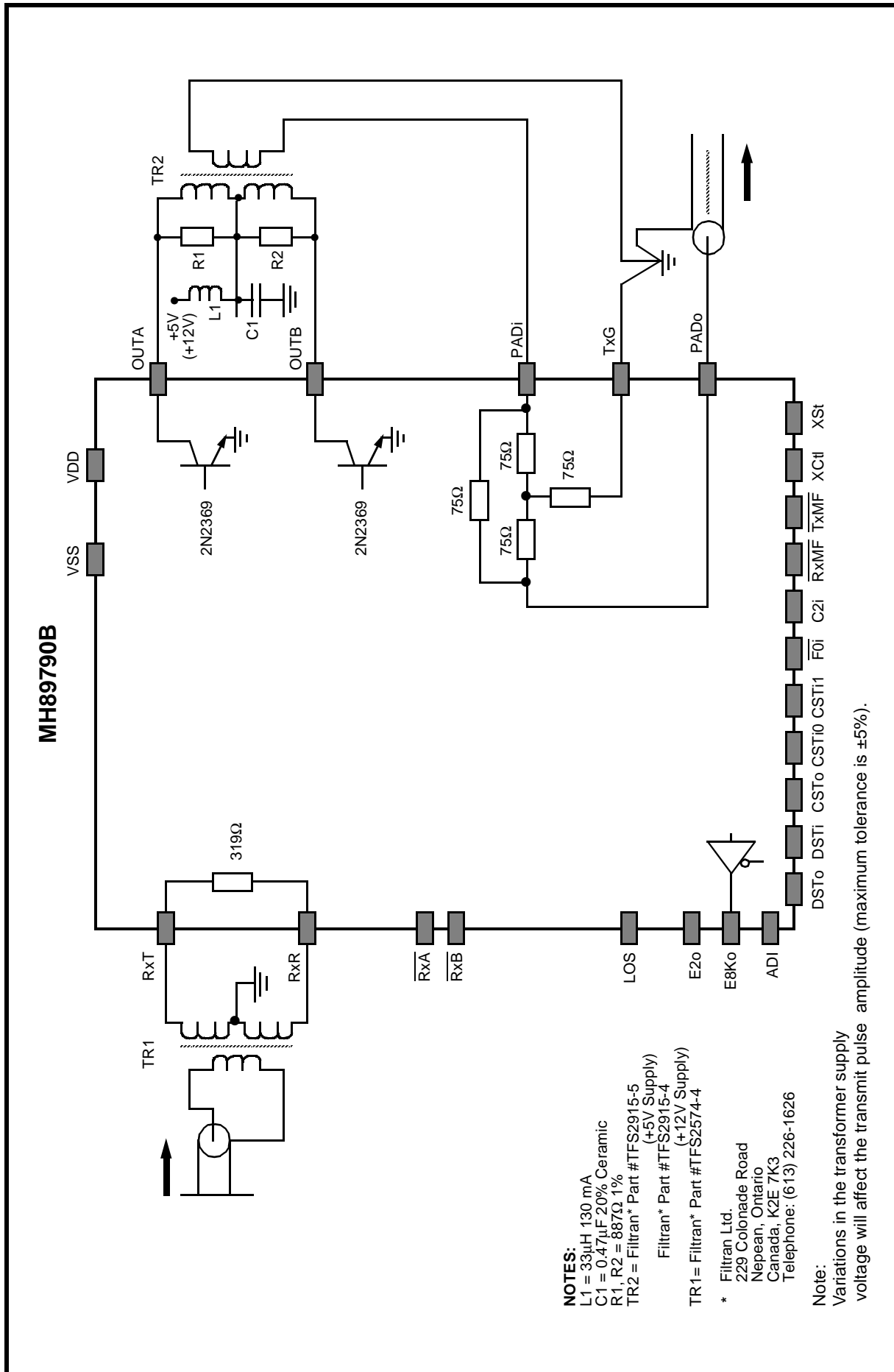


Figure 14 - Interfacing the MH89790B to the 75 Ω Coaxial Cable

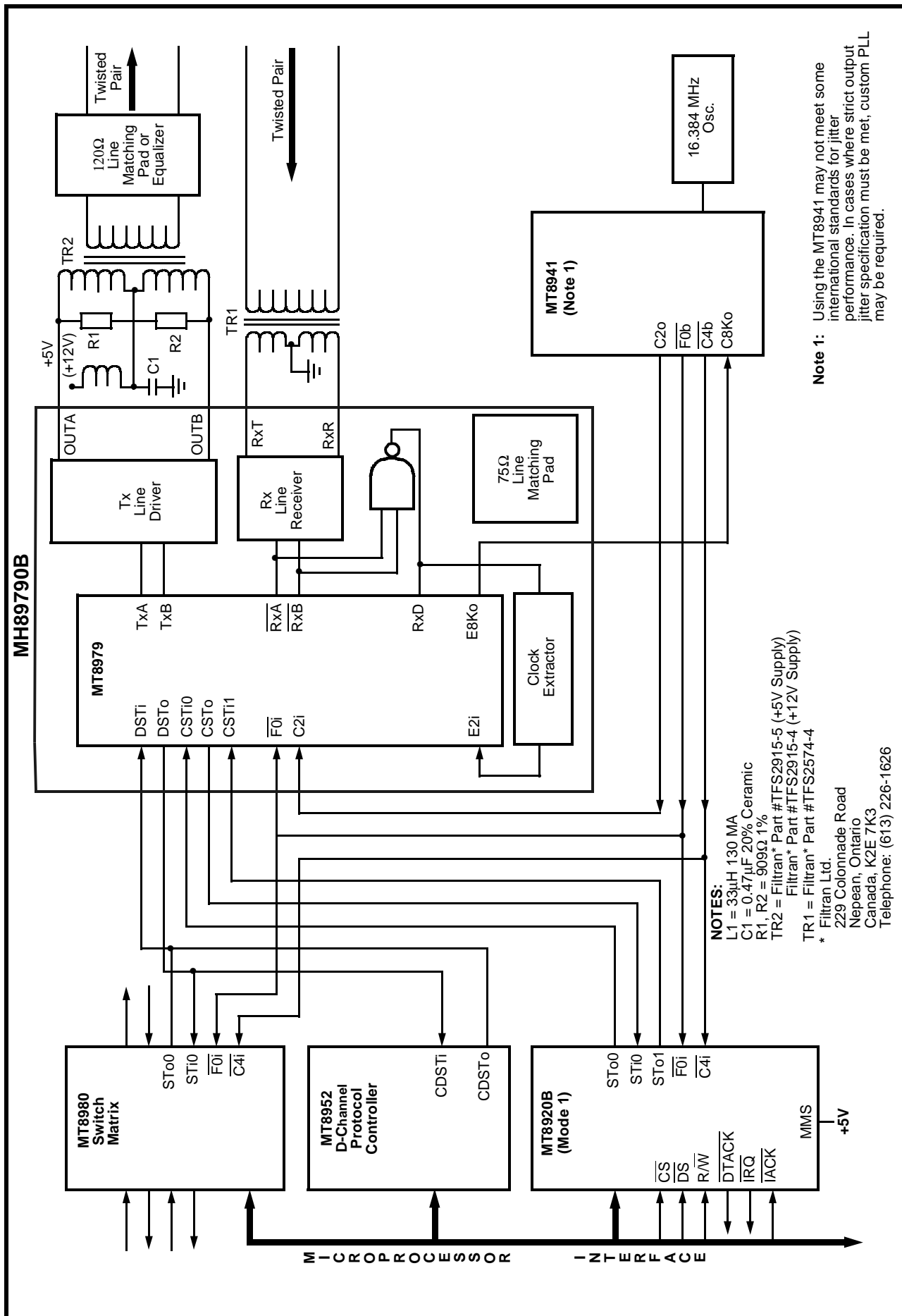
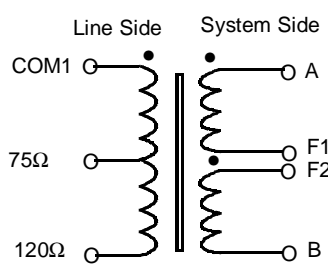


Figure 15 - Typical Primary Rate ISDN Application (interfacing to 120Ω Twisted Pair)



Parameter (Units)	Through Hole		Units
	TFS 2574-4	TFS 2915	
		-4	-5
Transformer Type	input	output	output
Inductance (mH)	(COM1-75Ω) >1.2 (COM1-120Ω) >1.9	0.49 0.81	>1 >1.5
Turns Ratio	(COM1-75Ω):(A-F1):(B-F2) 1:1:1 (COM1-120Ω):(COM1-75Ω) 1•26:1	0•4:1:1 1•28:1	1•12:1:1 1•22:1
Line Impedance (Ω)	75/120	75/120	75/120
Operational Voltage (Volts)	-	+12	+5
Dielectric Strength (Vrms)	1500	1500	1500

Table 18. Typical Parameters of the Input and Output Transformers

Applications

ISDN Primary Rate User Network Interface

Typical examples of primary rate interfaces are high capacity links from a PBX to a Central Office Exchange or multiple links between PBX's in a large private network. With the advent of Integrated Services Digital Networks (ISDN) a limited set of network interfaces is specified to allow equipment from different vendors to operate in the network. The MH89790B conforms to the ISDN S/T Primary Rate reference point standard, which calls for 30 B channels (64 kbit/s) and one D channel (64 kbit/s). Figure 15 illustrates a typical application of the MH89790B in an ISDN environment.

Three types of information are passed through serial busses of the MH89790B:

USER DATA - The data streams of the MH89790B are shown connected to the MT8980 Digital Crosspoint Switch. This allows voice and data channels to be switched dynamically within the system.

SIGNALLING - Signalling information on the ISDN primary rate interface is carried over the D-channel using LAPD procedures. The ISDN D-channel is created by placing the MH89790B in Common Channel Signalling mode. The D-channel is tapped off from the ST-BUS and connected to the MT8952 Protocoller Controller. It receives and transmits data packets serially, in accordance with LAPD protocol requirements.

CONTROL - The MT8920B (STPA) provides microprocessor access to directly control the MH89790B through its transmit and receive dual port RAMs. Status information can generate interrupts to notify the system in case of slips, loss of synchronization, alarms, violations, etc.

Interfacing to the Coaxial Cable Transmission Line

Reliable operation of the CEPT link is directly related to the type of transmission medium and method of interfacing. Coaxial cables provide excellent transmission mediums if used properly. One of the most important things to remember is that the receive end of the cable must not be connected to ground, as shown in Figure 16. If both ends are

connected to the ground, uncontrolled current will flow through the shield of the cable and interfere with the transmitted signal.

Magnetics Information

Table 18 provides typical electrical parameters for suitable input and output transformers. For supporting initial design activities, Mitel Semiconductor has available CEPT MH89790B Ancilliary Component Kits which contains input and output transformers. Alternatively, they are available directly from the following manufacturer:

Filtran Ltd.
 229 Colonnade Road
 Nepean, Ontario
 Canada K2E 7K3
 Telephone: 613-226-1626.

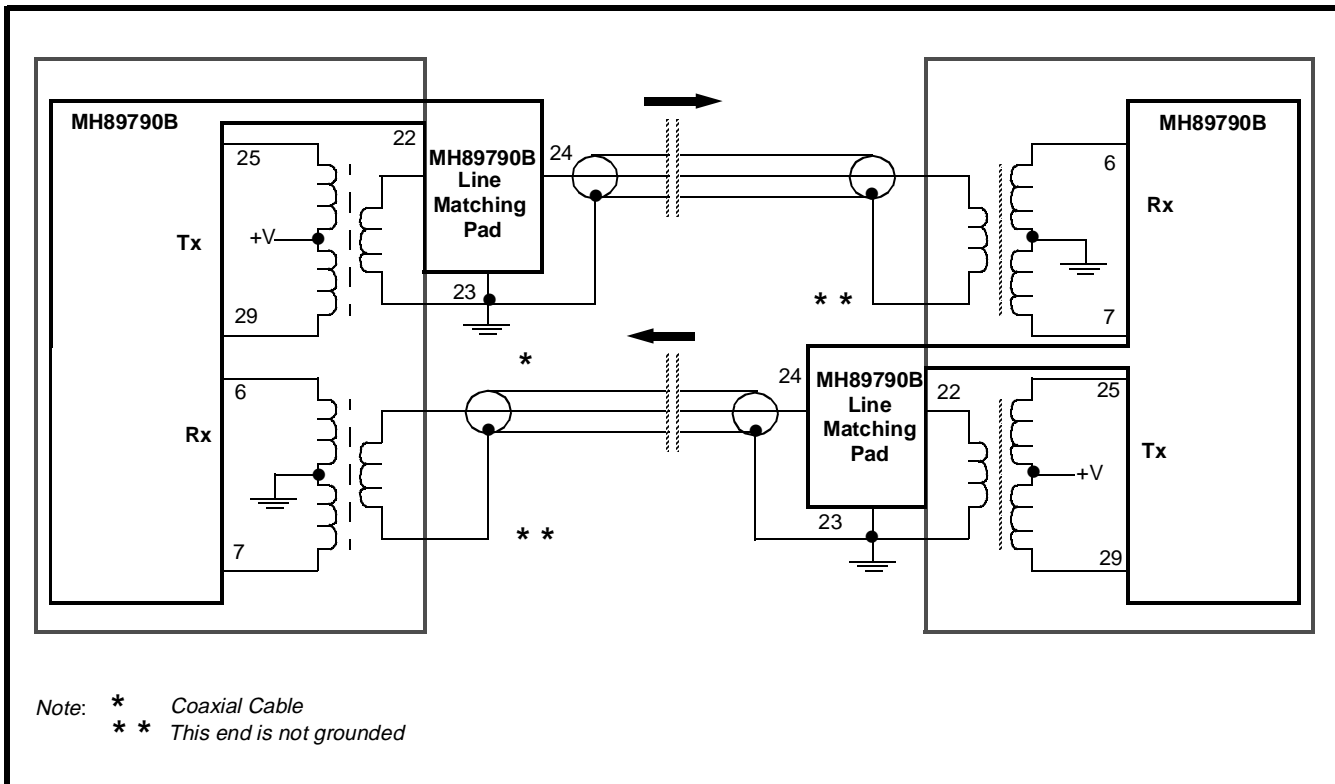


Figure 16 - Grounding Method of the Outer Conductor to the Coaxial Cable

Absolute Maximum Ratings*

	Parameter	Symbol	Min	Max	Units
1	Supply Voltage with respect to V_{SS}	V_{DD}	-0.3	7	V
2	Voltage on any pin other than supplies		$V_{SS}-0.3$	$V_{DD}+0.3$	V
3	Current at any pin other than supplies			40	mA
4	Storage Temperature	T_{ST}	-40	85	°C
5	Package Power Dissipation	P		800	mW

* Exceeding these values may cause permanent damage. Functional operation under these conditions is not implied.

Recommended Operating Conditions - Voltages are with respect to ground (V_{SS}) unless otherwise stated.

	Characteristics	Sym	Min	Typ [‡]	Max	Units	Test Conditions
1	Operating Temperature	T_{OP}	0		70	°C	
2	Supply Voltage	V_{DD}	4.5	5.0	5.5	V	
3	Input High Voltage	V_{IH}	2.4		V_{DD}	V	For 400 mV noise margin
		V_{IH}	1.2			V	RxT and RxR
4	Input Low Voltage	V_{IL}	V_{SS}		0.4	V	For 400 mV noise margin
		V_{IL}			0.3	V	RxT and RxR

DC Electrical Characteristics - Clocked operation over recommended temperature ranges and power supply voltages.

	Parameters	Sym	Min	Typ [‡]	Max	Units	Test Conditions
1	Supply Current	I_{DD}		15	45	mA	Outputs Unloaded
2	Input High Voltage	V_{IH}	2.0		V_{DD}	V	Digital Inputs
3	Input Low Voltage	V_{IL}	0.0		0.8	V	Digital Inputs
4	Input Leakage Current	I_{IL}		±1	±10	µA	Digital Inputs $V_{IN}=0$ to V_{DD}
5	Output High Voltage	V_{OH}	2.4		V_{DD}	V	$I_{OL}=10$ mA
6	Output High Leakage	I_{OZ}			500	nA	$V_O = 0$ to V_{DD}
7	Output High Current	I_{OH}	7	20		mA	Source Current, $V_{OH}=2.4$ V
8	Output Low Voltage OUTA or OUTB	V_{OL}	V_{SS}		0.4	V	$I_{OL}=2$ mA
		V_{OL}			0.25	V	$I_{OL}=10$ mA
9	Output Low Current	I_{OL}	2	10		mA	Sink Current, $V_{OL}=0.4$ V
10	Input Impedance RxT to RxR			319		Ω	

AC Electrical Characteristics[†] - Capacitance

	Characteristics	Sym	Min	Typ [‡]	Max	Units	Test Conditions
1	Input Pin Capacitance	C_I		10		pF	
2	Output Pin Capacitance	C_O		10		pF	

[†] Timing is over recommended temperature & power supply voltages.

[‡] Typical figures are at 25°C and are for design aid only: not guaranteed and not subject to production testing.

AC Electrical Characteristics† - ST-BUS Timing (Figures 17 and 18)

	Characteristics	Sym	Min	Typ‡	Max	Units	Test Conditions
1	C2i Clock Period	t_{P20}	400	488	600	ns	
2	C2i Clock Width High or Low	t_{W20}	200	244		ns	$t_{P20} = 488$ ns
3	Frame Pulse Setup Time	t_{FPS}	50		150	ns	
4	Frame Pulse Hold Time	t_{FPH}	50			ns	
5	Frame Pulse Width	t_{FPW}	100		300	ns	
6	Serial Output Delay	t_{SOD}			125	ns	150 pF Load
7	Serial Input Setup Time	t_{SIS}	30			ns	
8	Serial Input Hold Time	t_{SIH}	55			ns	
9	Frame Pulse Setup Time 2	t_{FPS2}	20			ns	

† Characteristics are for clocked operation over the ranges of recommended operating temperature and supply voltage.

‡ Typical figures are at 25°C and are for design aid only: not guaranteed and not subject to production testing.

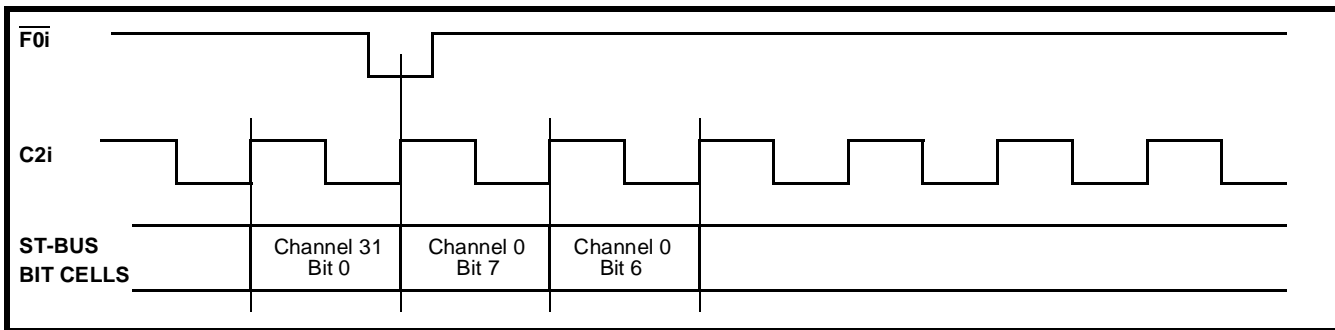


Figure 17 - Clock & Frame Alignment for 2048 kbit/s ST-BUS Streams

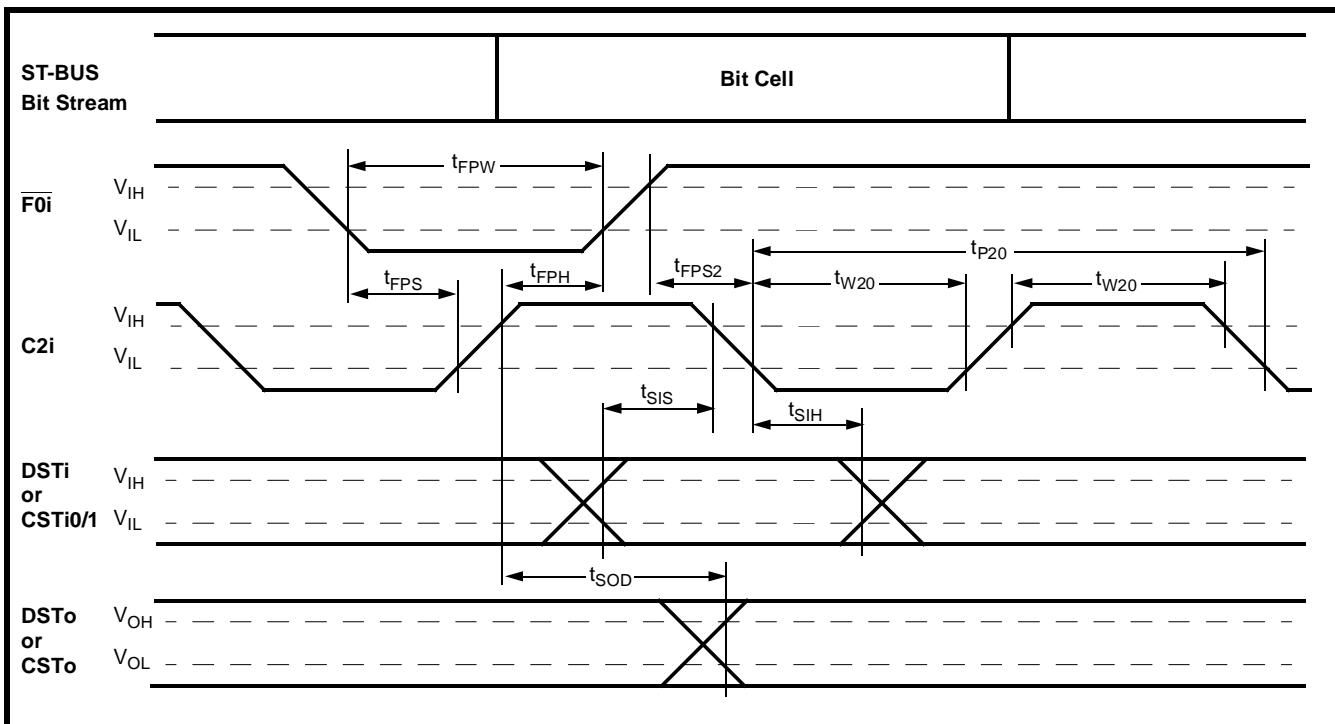


Figure 18 - Clock & Frame Timing for 2048 kbit/s ST-BUS Streams

AC Electrical Characteristics[†] - Multiframe Clock Timing (Figure 21)

	Characteristics	Sym	Min	Typ [‡]	Max	Units	Test Conditions
1	Receive Multiframe Output Delay	t_{RMFD}			150	ns	50pF
2	Transmit Multiframe Setup Time	t_{TMFS}	50			ns	
3	Transmit Multiframe Hold Time	t_{TMFH}	50		*	ns	
4	Tx Multiframe to C2 Setup Time	t_{MF2S}		100		ns	

[†] Characteristics are for clocked operation over the ranges of recommended operating temperature and supply voltage.

[‡] Typical figures are at 25°C and are for design aid only: not guaranteed and not subject to production testing.

* 256 t_{p20} - 100ns

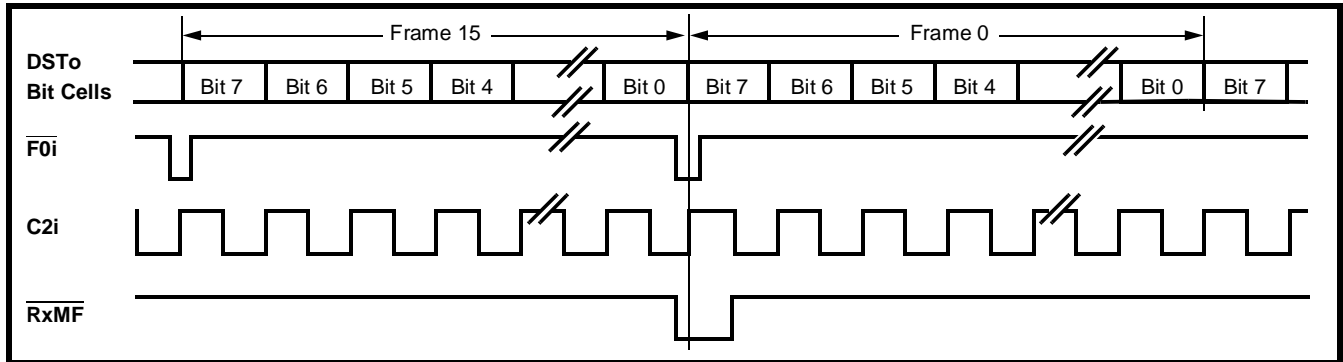


Figure 19 - Functional Timing for Receive Multiframe Clocks

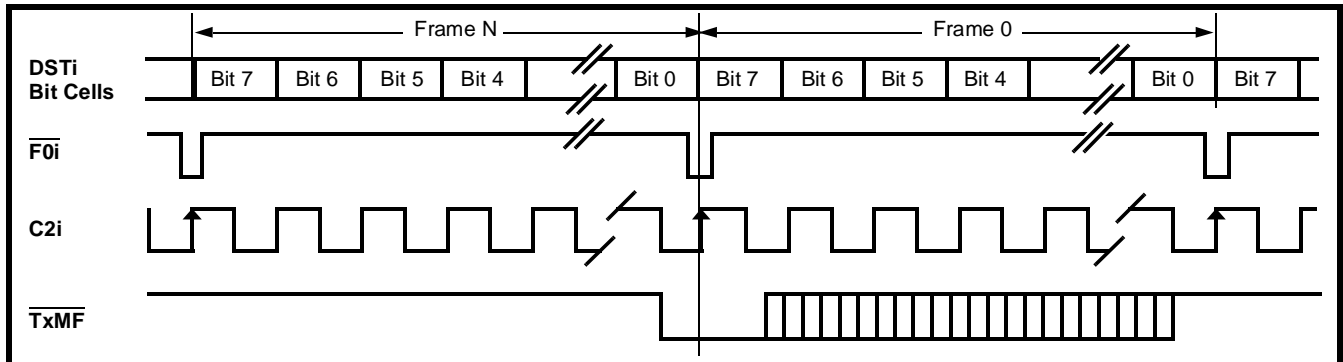


Figure 20 - Functional Timing for Transmit Multiframe Clock

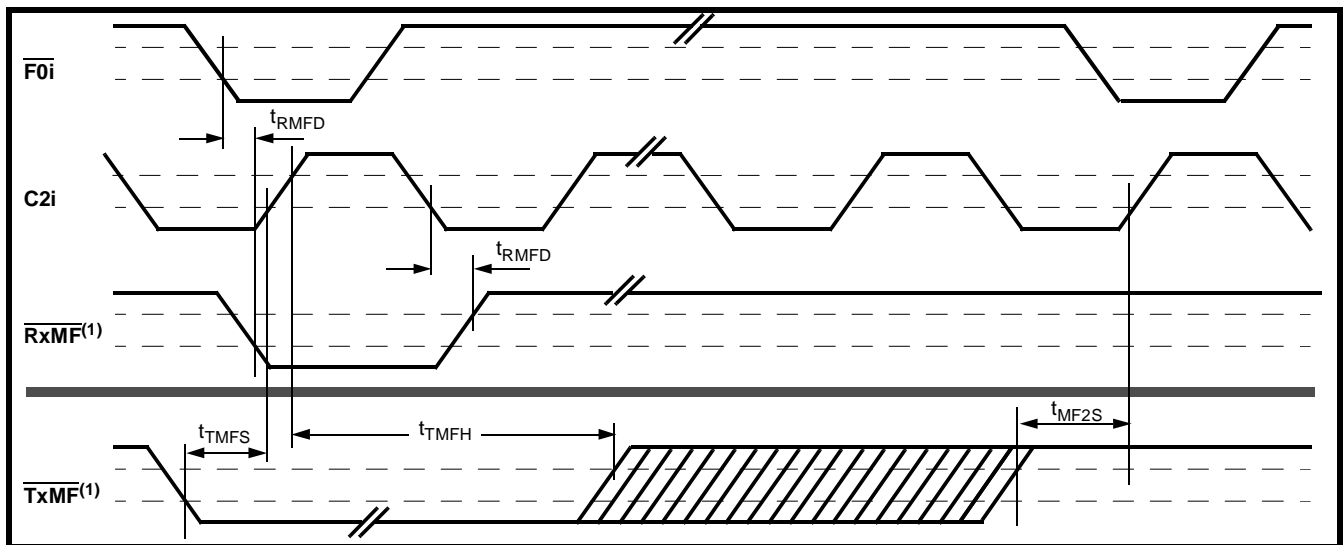


Figure 21 - Clock and Frame Timing for 2048 kbit/s ST-BUS Streams

Note 1: These two signals do not have a defined phase relationship

AC Electrical Characteristics† - XCtl, XS and E8Ko (Figures 22, 23 and 24)

	Characteristics	Sym	Min	Typ‡	Max	Units	Test Conditions
1	External Control Delay	t_{XCD}			100	ns	50 pF load
2	External Status Setup Time	t_{XSS}	50			ns	
3	External Status Hold Time	t_{XSH}	50			ns	
4	E8Ko Output Delay	t_{8OD}			150	ns	50 pF load
5	E8Ko Output Low Width	t_{8OL}		62.5		μ s	50 pF load
6	E8Ko Output High Width	t_{8OH}		62.5		μ s	50 pF load
7	E8Ko Output Transition Time	t_{8OT}			20	ns	50 pF load

† Characteristics are for clocked operation over the ranges of recommended operating temperature and supply voltage.

‡ Typical figures are at 25°C and are for design aid only: not guaranteed and not subject to production testing.

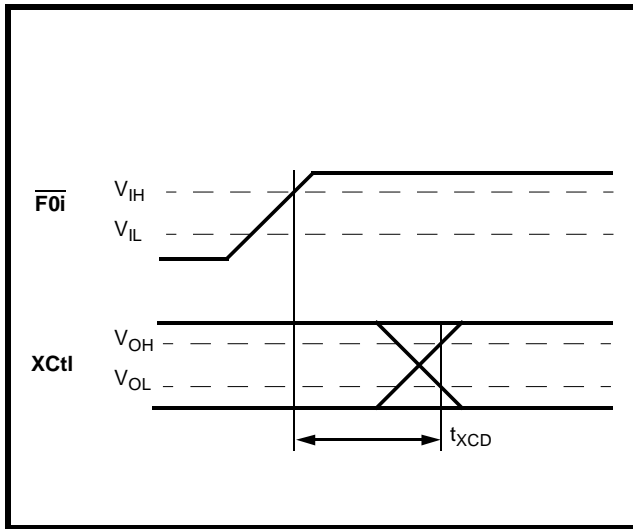


Figure 22 - XCtl Timing

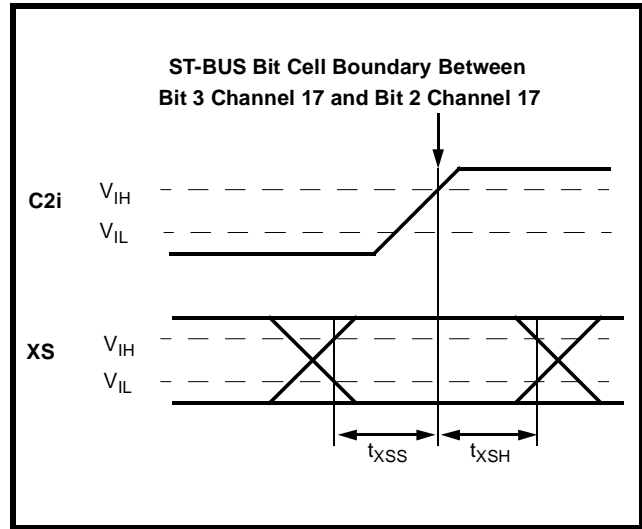


Figure 23 - XS Timing

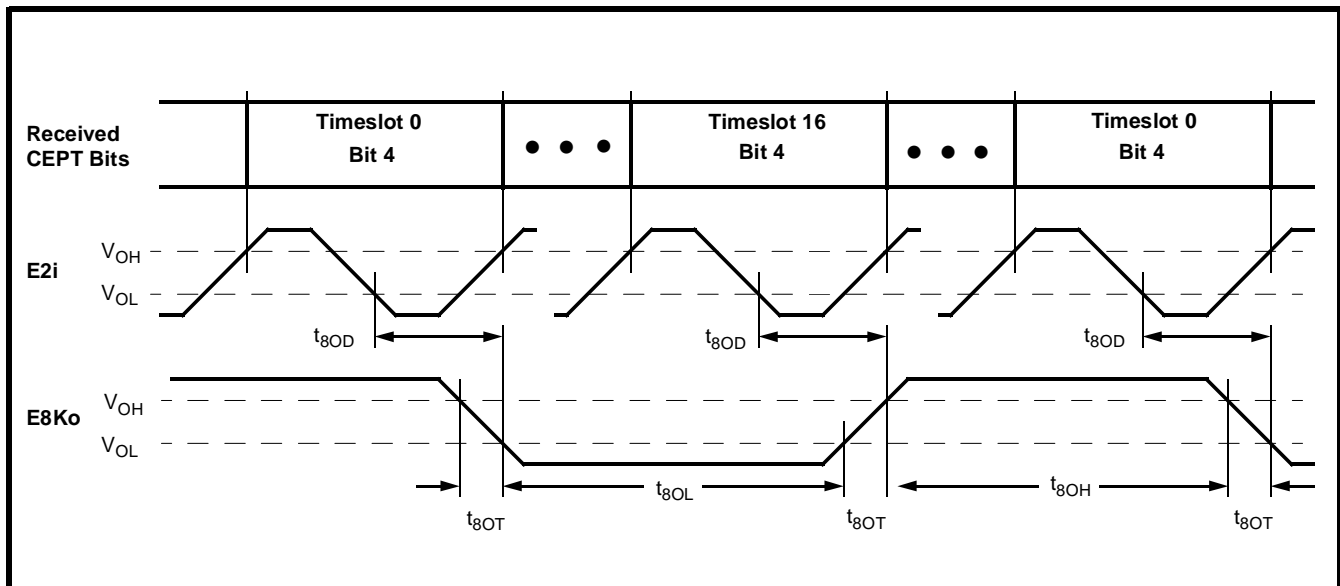


Figure 24 - E8Ko Timing

AC Electrical Characteristics[†] - CEPT Link Timing (Figures 25 and 26)

	Characteristics	Sym	Min	Typ [‡]	Max	Units	Test Conditions
1	Transmit Steering Delay	t_{TSD}		150		ns	See Figure 27, Note 1
2	E2o Clock Period	t_{PEC}		488		ns	
3	E2o Clock Width High or Low	t_{WEC}		244		ns	
4	Receive Data Setup Time	t_{RDS}		50		ns	
5	Receive Data Hold Time	t_{RDH}		50		ns	
6	Receive Data Pulse Width	t_{RDW}		244		ns	
7	Receive Data Fall Time	t_{RDF}		20		ns	
8	Receive Data Rise Time	t_{RDR}		30		ns	

Note 1 - The difference between T_{TSD} for OUTA and OUTB is typically 20 ns.

[†] Timing is over recommended operating temperature and power supply voltage ranges.

[‡] Typical figures are at 25°C and are for design aid only: not guaranteed and not subject to production testing.

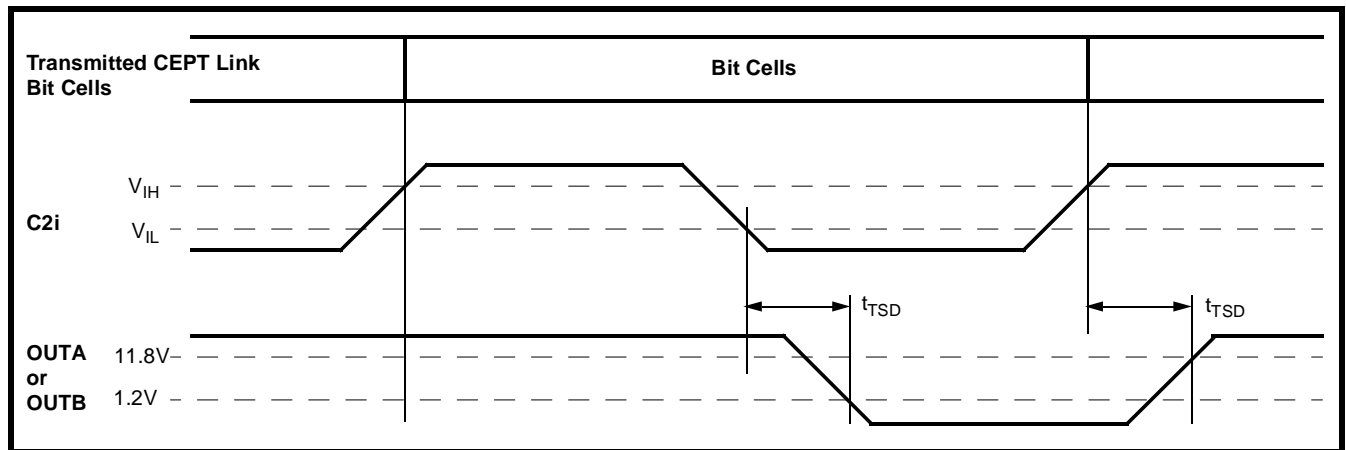


Figure 25 - Transmit Timing for CEPT Link

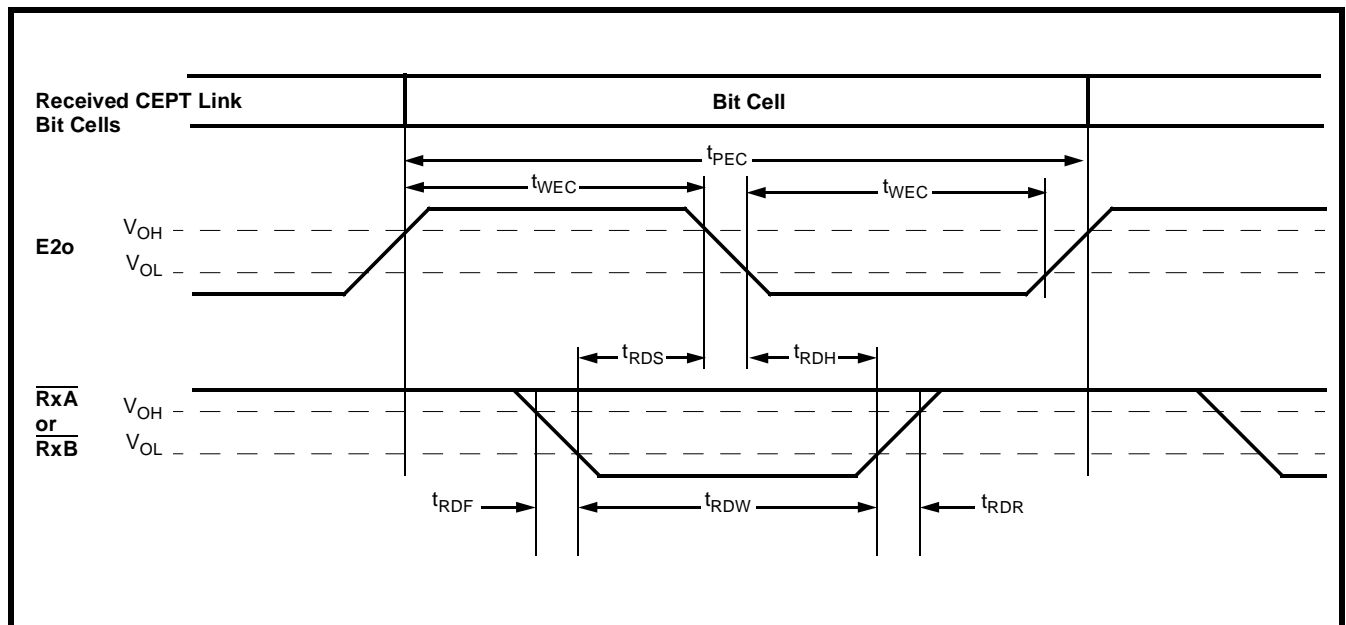


Figure 26 - Receive Timing for CEPT Link

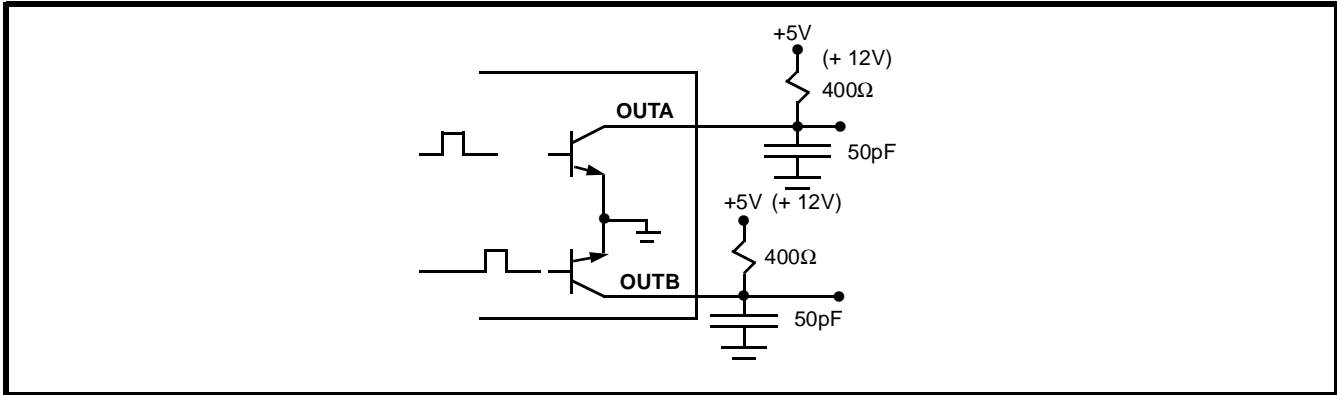


Figure 27 - OUTA and OUTB Test Circuit

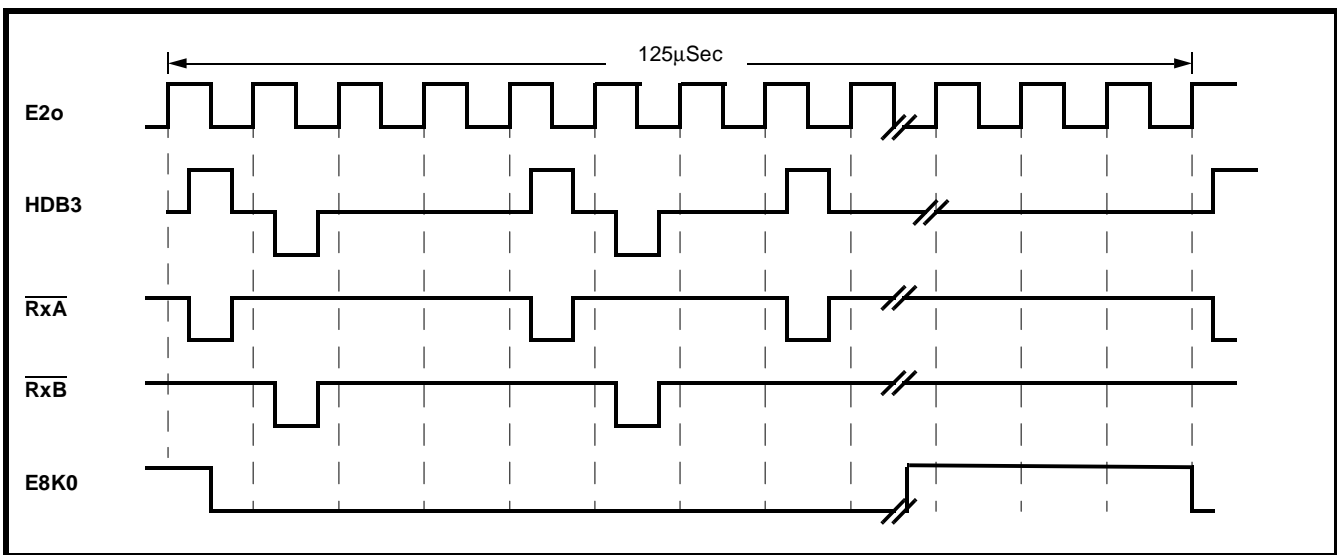


Figure 28 - CEPT Receive Timing

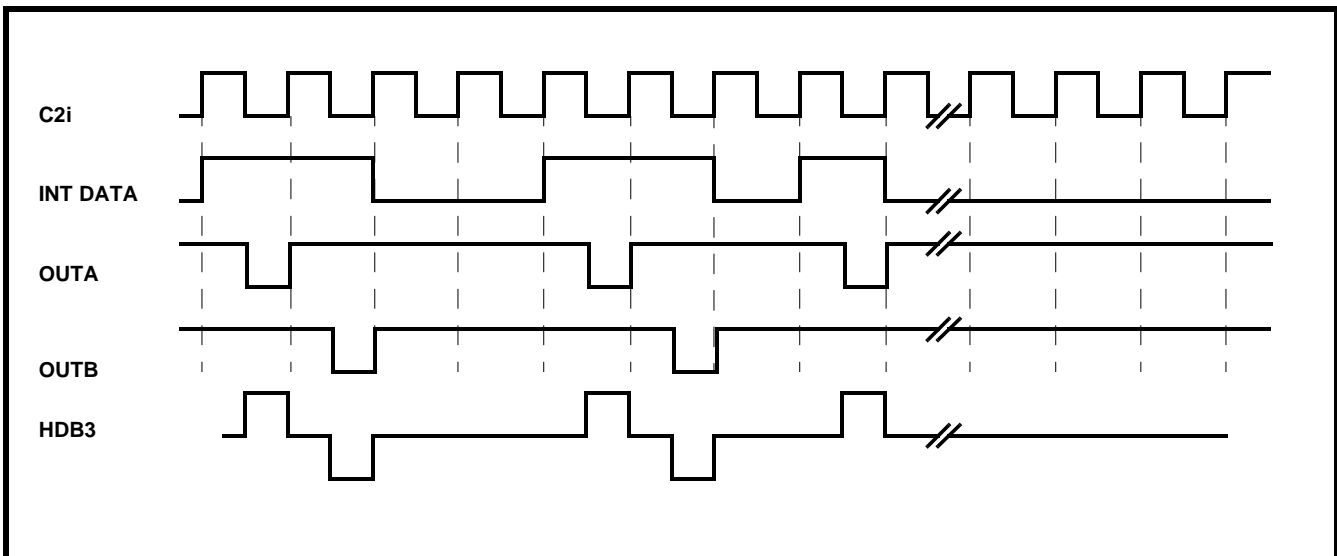


Figure 29 - CEPT Transmit Timing

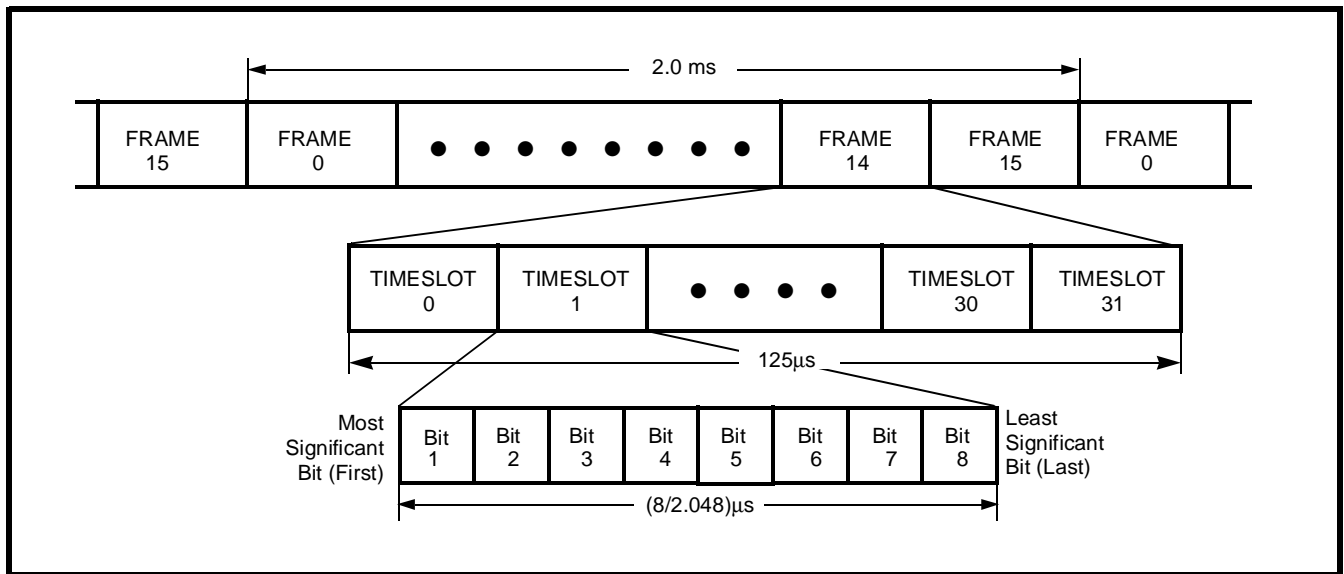


Figure 30 - CEPT PCM 30 Frame & Multiframe Formats

Packaging

The MH89790B is available in three package options which are:

- The MH89790B which is pin compatible with the MH89790, has a row pitch of 1.3" and is fitted with a plastic lid. See Figure 31 for the dimensional drawing for this part.
- The MH89790BN which is a narrow version of the MH89790B and has a row pitch of 0.8". See Figure 32 for the dimensional drawing for this part.
- The MH89790BS which is a surface mountable version of the MH89790BN is suitable for Infrared Reflow (I.R.) soldering. See Figure 33 for the dimensional drawing, and Figure 34 for the recommended footprint.

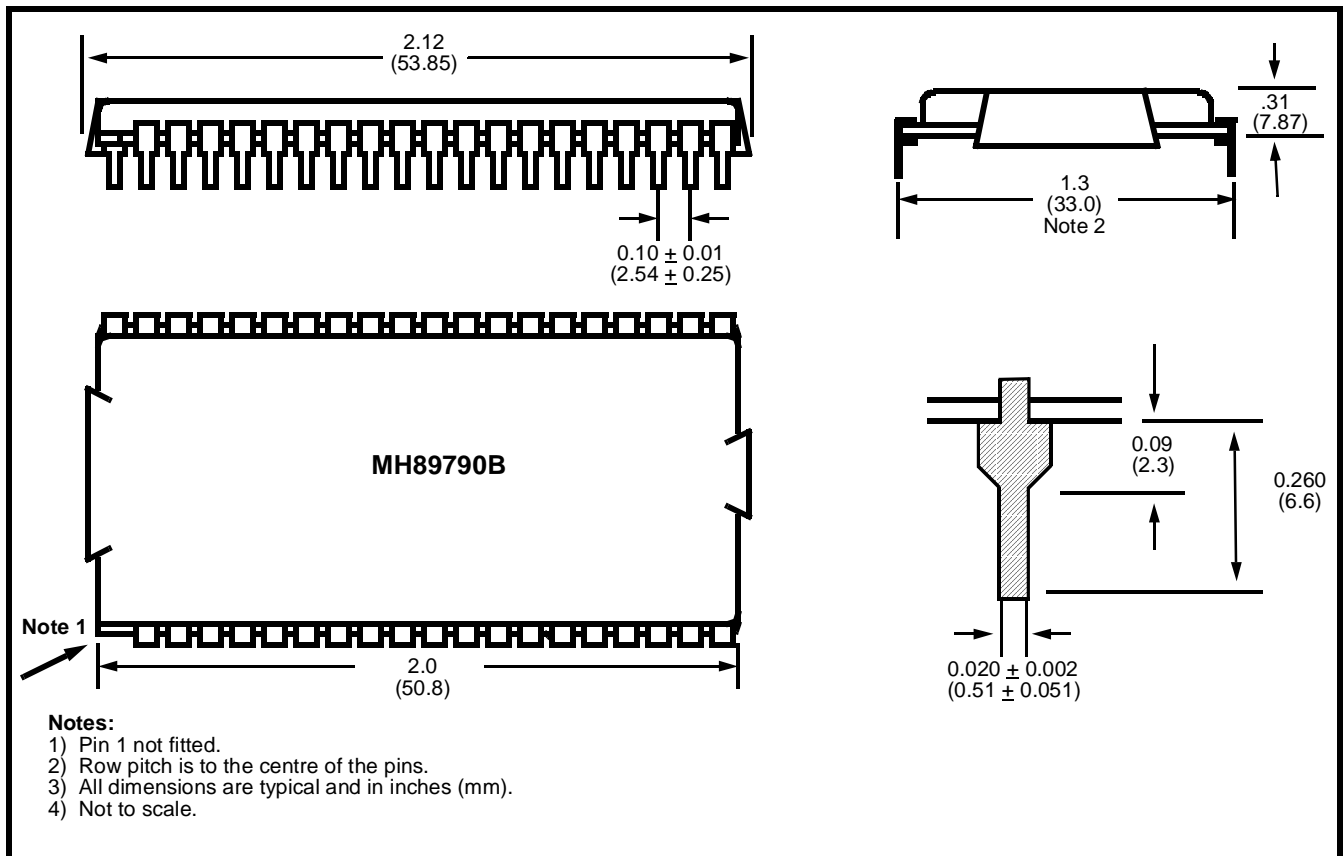


Figure 31 - Physical Dimensions for the 40 Pin Dual in Line Hybrid 1.3" Row Pitch

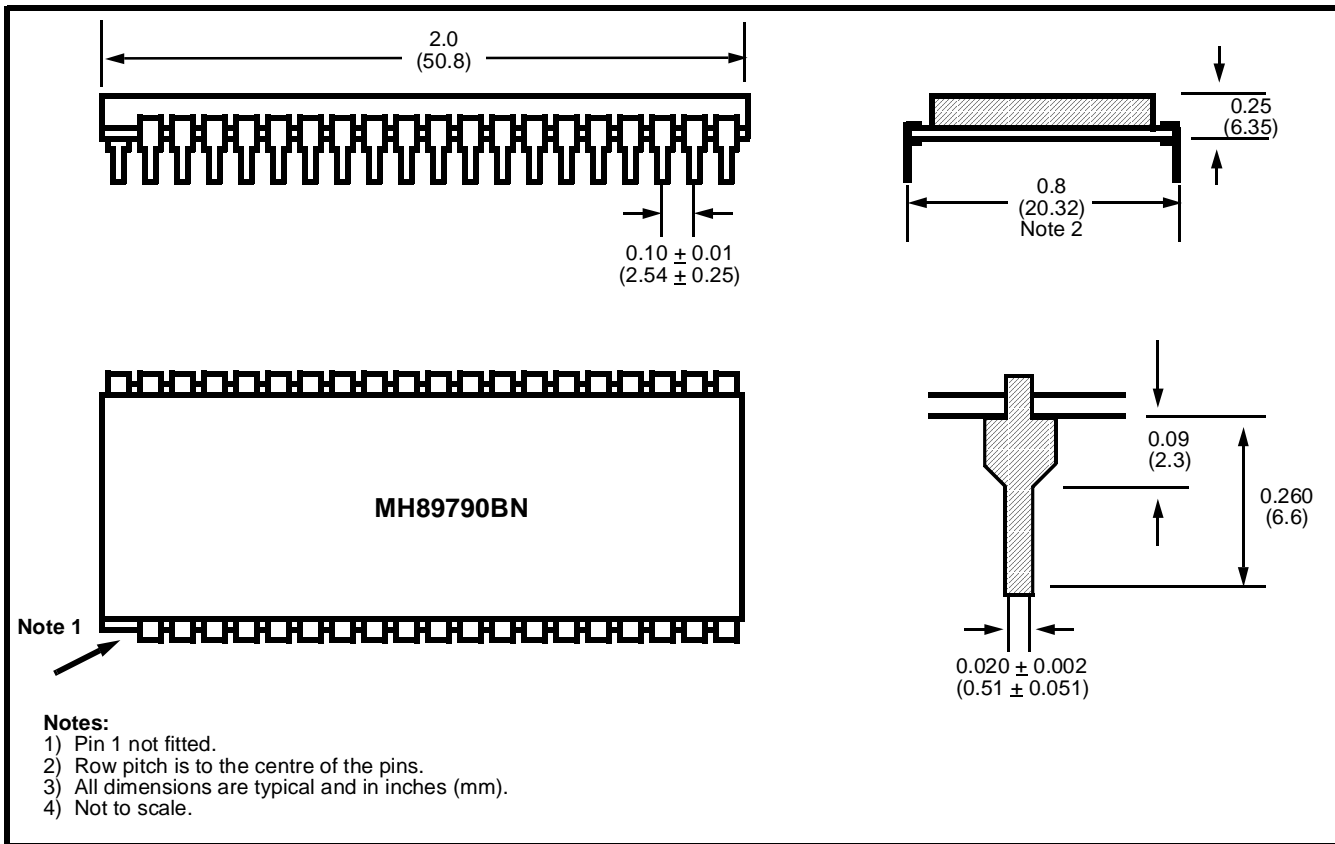


Figure 32 - Physical Dimensions for the 40 Pin Dual in Line Hybrid 0.8" Row Pitch

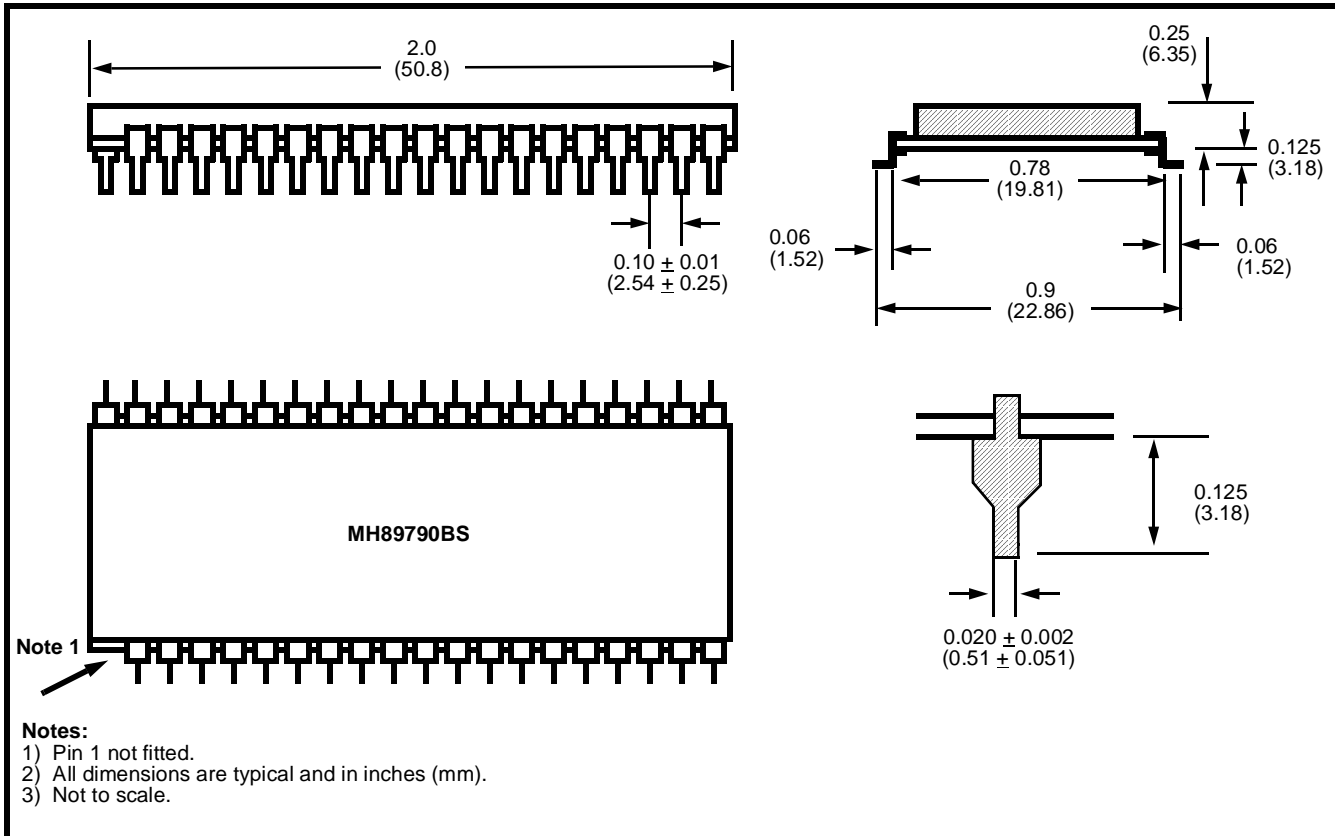


Figure 33 - Physical Dimensions for the 40 Pin Dual in Line S.M.T. Hybrid

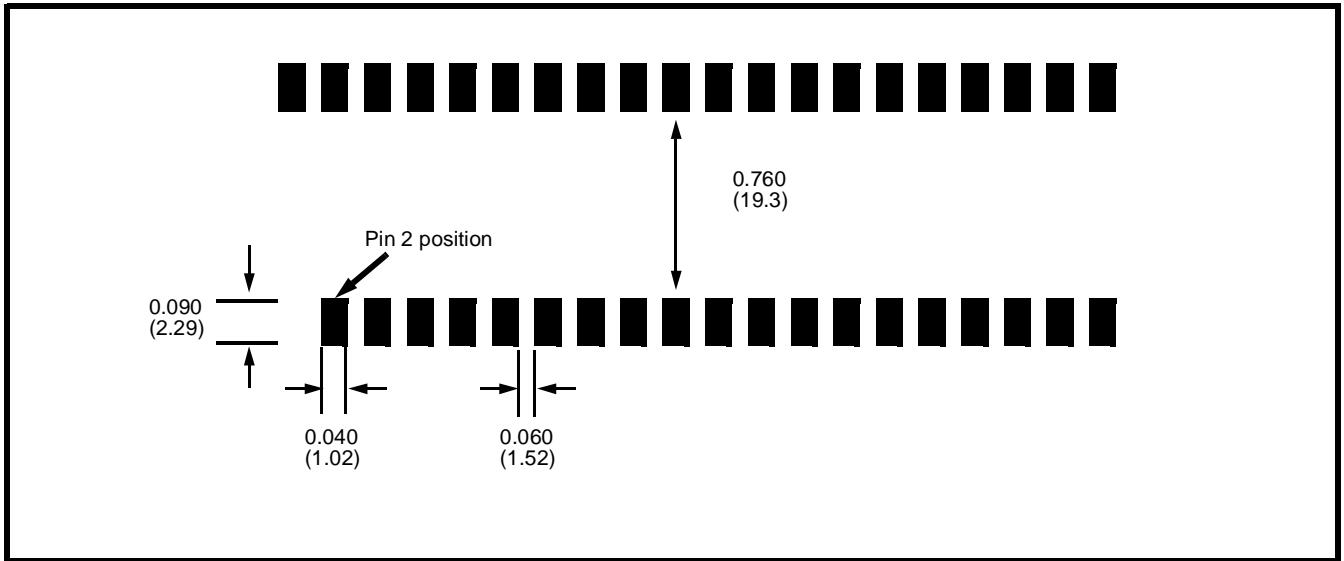


Figure 34 - Recommended Footprint for the 40 Pin Dual in Line S.M.T. Hybrid

Appendix

Control and Status Register Summary

7	6	5	4	3	2	1	0
UNUSED Keep at 1	LOOP16 1 Enabled 0 Disabled	UNUSED Keep at 1		NDBD 1 No Debounce 0 Debounce	NDBC 1 No Debounce 0 Debounce	NDBB 1 No Debounce 0 Debounce	NDBA 1 No Debounce 0 Debounce

Master Control Word 1 (MCW1) - CSTi0, Channel 15

UNUSED Keep at 1	UNUSED Keep at 0	CCS 1 Common Channel 0 Channel Associated	8 kHz SEL 1 Enabled 0 Disabled	TXAIS 1 Alarm On 0 Alarm Off	TXTS16AIS 1 Alarm On 0 Alarm Off	XCTL 1 Set High 0 Cleared	UNUSED
---------------------	---------------------	---	--------------------------------------	------------------------------------	--	---------------------------------	--------

Master Control Word 2 (MCW2) - CSTi0, Channel 31

UNUSED Keep at 0	SiMUX 1 Enabled 0 Disabled	RMLOOP 1 Enabled 0 Disabled	HDB3en 1 Disabled 0 Enabled	Maint 1 Enabled 0 Disabled	CRCen 1 Enabled 0 Disabled	DGLOOP 1 Enabled 0 Disabled	ReFR Device reframes on High to Low Transition
---------------------	----------------------------------	-----------------------------------	-----------------------------------	----------------------------------	----------------------------------	-----------------------------------	---

Master Control Word 3 (MCW3) - CSTi1, Channel 18

DATA 1 No ADI 0 Enable ADI	LOOP 1 Enabled 0 Disabled	RxPAD4	RxPAD2	RxPAD1	TxPAD4	TxPAD2	TxPAD1
----------------------------------	---------------------------------	--------	--------	--------	--------	--------	--------

Per Channel Control Word - CSTi0, Channels 0-14 and 16-30

A(N) Tx Signalling Bit	B(N) Tx Signalling Bit	C(N) Tx Signalling Bit	D(N) Tx Signalling Bit	A(N+15) Tx Signalling Bit	B(N+15) Tx Signalling Bit	C(N+15) Tx Signalling Bit	D(N+15) Tx Signalling Bit
---------------------------	---------------------------	---------------------------	---------------------------	------------------------------	------------------------------	------------------------------	------------------------------

Channel Associated Signalling - CSTi1, Channels N = 1 to 15

IUO Should be kept at 1	FAF2-8 Frame Alignment Signal - Keep at "0011011"						
----------------------------	--	--	--	--	--	--	--

Frame Alignment Signal - CSTi1, Channel 16

MA1-4 Multiframe Alignment Signal - Keep at "0000"	X1 Spare Bit Should be 1	Y 1 Alarm On 0 Alarm off	X2, X3 Spare Bits - Should be 1
---	--------------------------------	--------------------------------	------------------------------------

Multiframe Alignment Signals - CSTi1, Channel 0

IU1 Reserved for International Used	NFAF Keep at "1"	ALM 1 Alarm On 0 Alarm Off	NU1-5 Bits Reserved for National Use - Should be kept at "1"
--	---------------------	----------------------------------	---

Non-Frame Alignment Signal - CSTi1, Channel 17

7	6	5	4	3	2	1	0
TFSYN 1 Out of Sync 0 In Sync	MFSYN 1 Out of Sync 0 In Sync	ERR Frame Alignment Signal Error Count	SLIP Changes State when Slip Performed	RXAIS 1 Alarm Detected 0 No Alarm	TXTS16AIS 1 Alarm Detected 0 No Alarm	XS 1 XSt High 0 XSt Low	UNUSED

Master Status Word 1 (MSW1) - CSto, Channel 18

Si2 Remote SMF2 is: 1 Correct 0 Errored	Si1 Remote SMF1 is: 1 Correct 0 Errored	UNUSED	CRC Timer Transition from 1 to 0 indicates start of the CRC Error Count	CRC Ref 1 Reframed forced by lack of CRC frame	CRC Sync 1 CRC Frame not Detected 0 CRC Frame Detected	FrmPhase Bit 8 of Phase Status Word
---	---	---------------	---	--	---	---

Master Status Word 2 (MSW2) - CSto, Channel 21

TxTSC Transmit Timeslot Count, Timeslots between F0i and E8Ko	TxBTC Transmit Bit Count - bit positions within TxTSC between F0i and E8Ko
---	--

Phase Status Word - CSto, Channel 19

CERC 0 - 7 Bits 0 - 7 of CRC Error Counter
--

CRC Error Counter - CSto, Channel 20

A(N) Rx Signalling Bit	B(N) Rx Signalling Bit	C(N) Rx Signalling Bit	D(N) Rx Signalling Bit	A(N+15) Rx Signalling Bit	B(N+15) Rx Signalling Bit	C(N+15) Rx Signalling Bit	D(N+15) Rx Signalling Bit
----------------------------------	----------------------------------	----------------------------------	----------------------------------	-------------------------------------	-------------------------------------	-------------------------------------	-------------------------------------

Received Channel Associated Signalling - CSto, Channels N = 1 to 15

IUO International Bit	FAF2-8 Received Frame Alignment Signal
---------------------------------	--

Received Frame Alignment Signal - CSto, Channel 16

MA1-4 Received Multiframe Alignment Signal	X1 International Bit	Y 1 Remote MF Lost 0 Remote MF Detected	X2, X3 International Bits
--	--------------------------------	--	-------------------------------------

Received Multiframe Alignment Signals - CSto, Channel 0

IU1 Reserved for International Use	NFAF	ALM 1 Detected 0 Not Detected	NU1-5 Bits Reserved for National Use
--	-------------	--	--

Received Non-Frame Alignment Signal - CSto, Channel 17

NOTES: