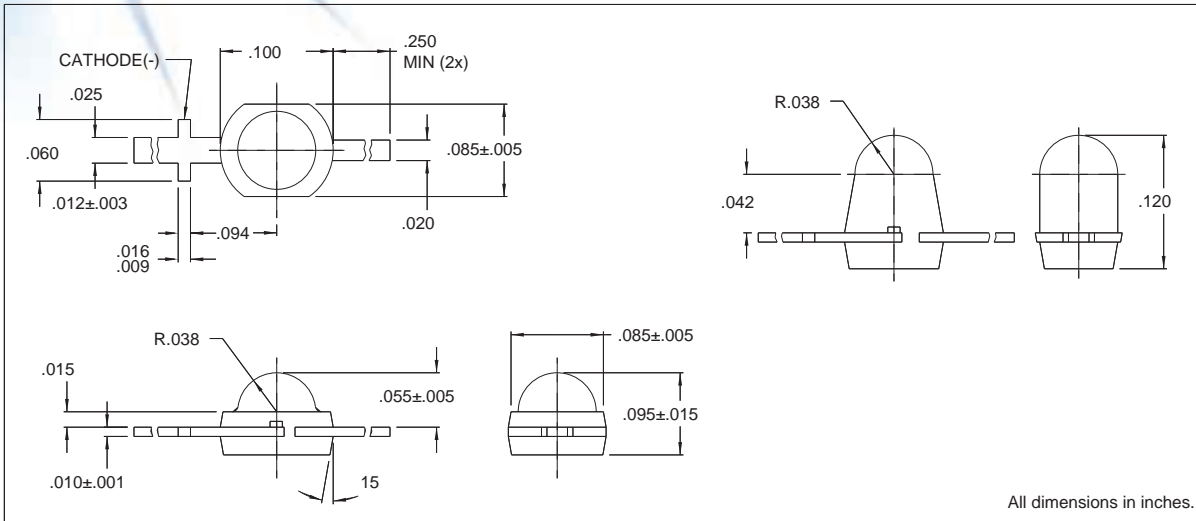


T-3/4 Sub Miniature LED Lamps

DESCRIPTION AND FEATURES



These subminiature LED lamps are intended for high volume, low cost status indication on P.C. boards and for backlighting switches and keyboard keys. The lamps are compatible with vapor phase reflow surface mount and conventional soldering techniques.

ELECTRO-OPTICAL CHARACTERISTICS AND RATINGS

| PART NUMBER | HLMP0300 | HLMP0301 | HLMP0400 | HLMP0401 | HLMP0503 | HLMP0504 |
|--|-------------|-------------|-------------|-------------|-------------|-------------|
| Output Color | H.E.Red | H.E.Red | Yellow | Yellow | H.E.Green | H.E.Green |
| Diffusion | Diffused | Diffused | Diffused | Diffused | Diffused | Diffused |
| Package Color | Red | Red | Yellow | Yellow | Green | Green |
| Test Current (mA) | 20 | 20 | 20 | 20 | 20 | 20 |
| Forward Voltage Typ. (V) | 2.1 | 2.1 | 2.2 | 2.2 | 2.3 | 2.3 |
| Forward Voltage Max. (V) | 3.0 | 3.0 | 3.0 | 3.0 | 3.0 | 3.0 |
| Luminous Intensity Min. (mcd) | 1.0 | 2.5 | 1.5 | 3.0 | 1.5 | 2.5 |
| Luminous Intensity Typ. (mcd) | 2.5 | 5.0 | 2.5 | 5.0 | 3.0 | 5.0 |
| Average Forward Current (mA) | 30 | 30 | 30 | 30 | 30 | 30 |
| Peak Wavelength (nm) | 635 | 635 | 585 | 585 | 565 | 565 |
| Viewing Angle 2θ 1/2 (degrees) | 100 | 100 | 100 | 100 | 100 | 100 |
| Power Dissipation (mW) | 135 | 135 | 135 | 135 | 135 | 135 |
| Operating Temperature (°C) | -55 to +100 | -55 to +100 | -55 to +100 | -55 to +100 | -55 to +100 | -55 to +100 |
| Storage Temperature (°C) | -55 to +100 | -55 to +100 | -55 to +100 | -55 to +100 | -55 to +100 | -55 to +100 |
| Peak Forward Current Max. (1μs @ 0.3% duty cycle) (mA) | 90 | 90 | 90 | 90 | 90 | 90 |
| Reverse Voltage (IR=100μA) (V) | 5 | 5 | 5 | 5 | 5 | 5 |
| Lead Solder Time @ 260 C | 5 | 5 | 5 | 5 | 5 | 5 |