

CAR AUDIO

7 Band 2 ch Graphic Equalizer [SMD]

EAS1077 is a hybrid IC which contains in its inside seven elements resonance circuits and two circuits of one high performance operational amplifier.

FEATURES

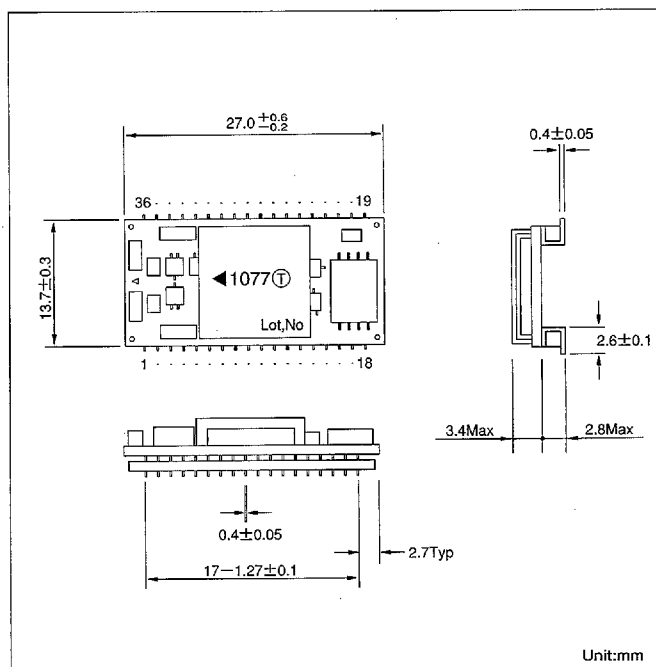
- It contains seven resonance circuits of frequency centers 60Hz, 125Hz, 250Hz, 500Hz, 1kHz, 3kHz, and 10kHz.
- Graphic equalizer circuit can be realized only with outside parts of VR knobs.
- It has an advantageous space factor as it is contained in a single end package.

ABSOLUTE MAXIMUM RATING

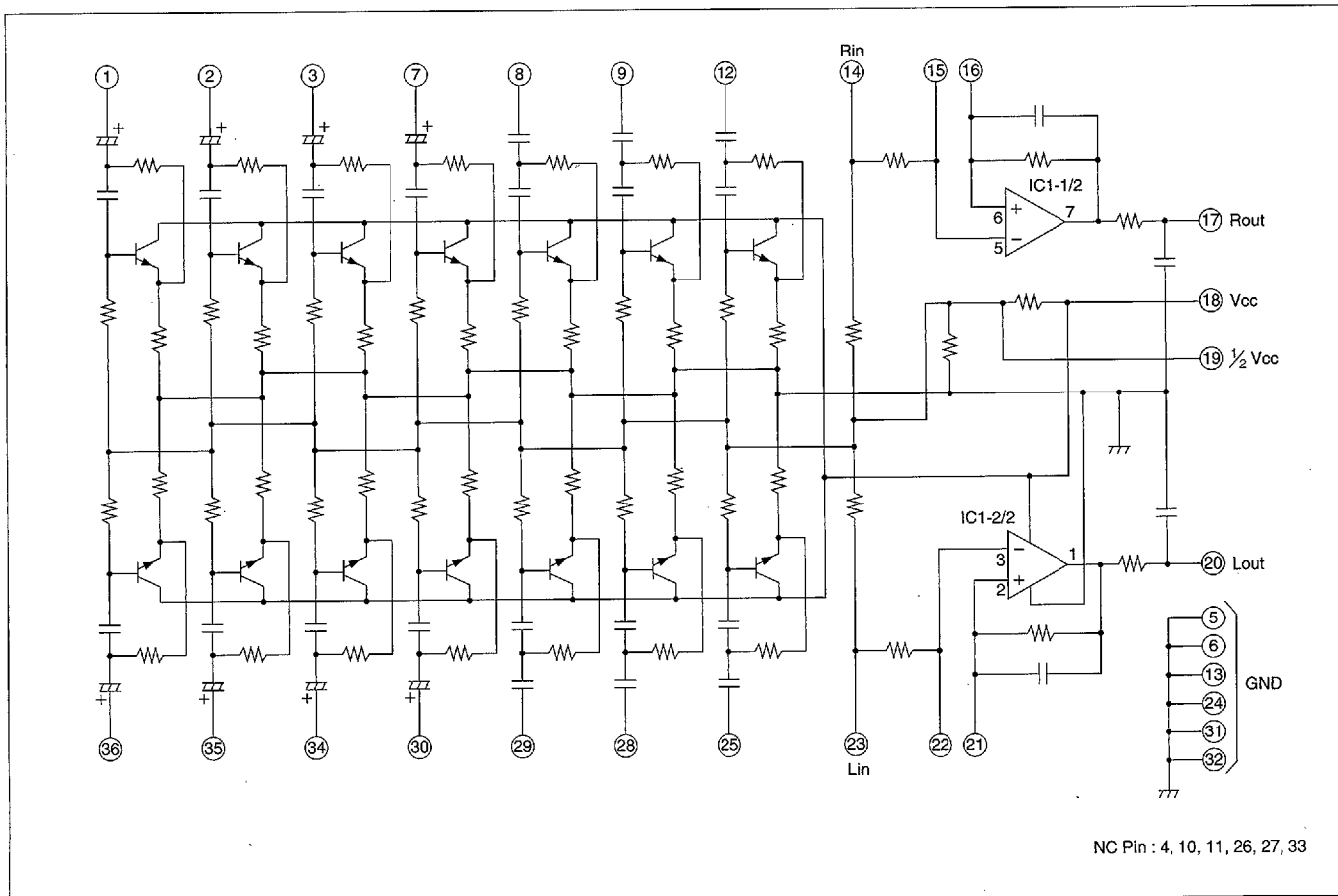
($T_A = 25^\circ\text{C}$)

Item	Symbol	Rating	Unit
Supply voltage	Vcc	18	V
Input voltage	Vin	3	Vp-p
Power dissipation	Pd	400	mW
Operating temperature	Topr	-20 ~ +70	°C
Storage temperature	Tstg	-40 ~ +85	°C

OUTLINE DIMENSIONS



INTERNAL CIRCUIT



NC Pin : 4, 10, 11, 26, 27, 33

CAR AUDIO

ELECTRICAL CHARACTERISTICS

TA=25°C, VCC=12.0±0.1V

Frequency centers:60Hz, 125Hz, 250Hz, 500Hz, 1kHz, 3kHz, 20kHz,

No.	Item	Symbol	Specifications			Unit	Condition	
			Min	Typ	Max			
1	Supply current	I _{CC}		20	30	mA	V _{CC} =12V, Short input terminals	
2	Voltage gain	G _V	-1.0	0	+1.0	dB	1kHz, 200mVrms input	
3	Frequency characteristics	V _f	-2.0	-0.5	+1.0	dB	200mVrms input, 1kHz base, 60Hz-15kHz	
4	Total harmonic distortion	THD		0.01	0.1	%	1kHz, 200mVrms output	
5	Flat noise level	V _{NF}		5.0	30	μV	Short input terminals, PEAK-DIN/NOISE, filter on	
	All boost noise level	V _{NB}		30	90			
6	Right-left level difference	CB	-1.0	0	+1.0	dB	1kHz, 200mVrms input	
7	Max. output voltage	V _{O max}	2.5	3.3		Vrms	1kHz, THD within 1%	
8	Tone change *	Boost	V _{TONE}			dB	200mVrms input, each frequency center	
		Cut	9	10	12			
9	Band ripple *	V _r			8	12	dB	200mVrms input (60Hz-10kHz) all channels boost
10	High-cut filter characteristics	V _H		-3.0	-1.5	dB	200mVrms input, 1kHz base, 50kHz attenuation	
11	Operating voltage	V _{CC}	7		16	V	Operable	
12	fo deviation *	G _{fo}		0	1.5	dB	200mVrms input, drop from each frequency center max gain	

Note) All channels to be on flat position in measuring except for marked with *.

TEST CIRCUIT

