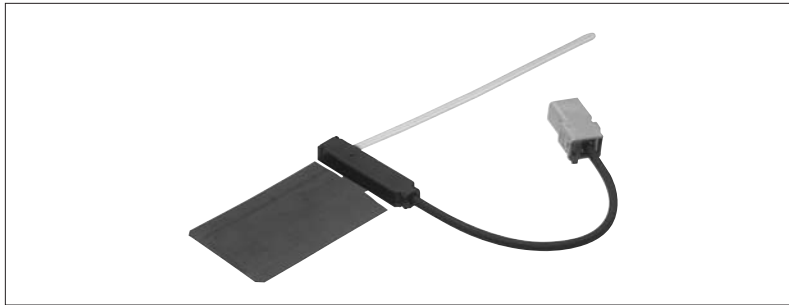


Film Antenna for Terrestrial Digital Broadcasting for Automotive Use

BDAJ1 Series



Direct connection to a compact amplifier ensures high performance contributing to improvement in the picture quality of car navigation systems.



Features

- High gains and improved NF characteristics achieved through a directly connected compact amplifier.
- Grounding made possible through amplifier installation inside the pillar.

Applications

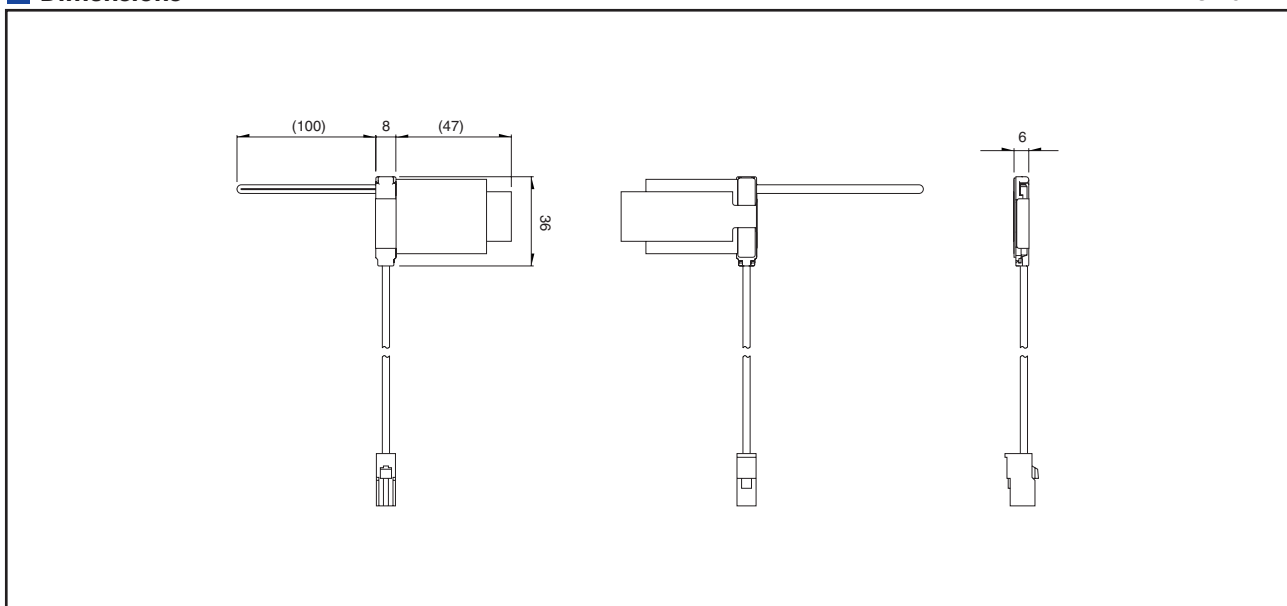
- For car TVs and car navigation systems

Typical Specifications

Items	Model	BDAJ1
Receiving frequency		470 to 770 MHz
Total gain		-2 dBd typ. (@cable length 5m)
Output impedance		50 or 75 Ω
Supply voltage		5V or 7 to 8V (Custom-designs are possible)

Dimensions

Unit:mm



for Broadcasting Use

Home Use Digital Terrestrial Tuners

Digital CATV Tuners

Digital BS Tuners

Automotive Use Digital Terrestrial Tuners

Antennas

Home Use FM/AM Tuners

FM/AM Tuner for HD Radio™ Broadcasting

Automotive Use FM/AM Tuners

for Communication Use

RF Module for Data Communication

Products Line

Model	Model	Destination	Structure	Center frequency (MHz)	ANT. polarization	Operating voltage (V)	Current consumption(mA)	Page
BDAJ1	Terrestrial Digital Broadcasting Antenna for automotive	Japan	With case	470 to 770	—	5/7	25 typ.	16

Note

Please order a minimum of 500 pieces or more.

Ordering Instructions

In order to provide a quicker response to your order, please fill in the essential items in the following check sheet.

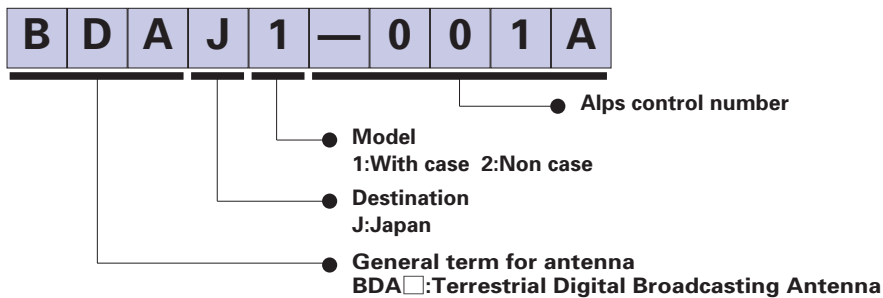
Check Sheet

No.	Items	Descriptions
1	Model	<input type="checkbox"/> BDAJ1
2	Destination	<input type="checkbox"/> Japan
3	Operating voltage	<input type="checkbox"/> 5V <input type="checkbox"/> 7V <input type="checkbox"/> 8V
4	Current consumption	<input type="checkbox"/> 25mA <input type="checkbox"/> Others ()
5	Gain of overall (dBi)	Request ()
6	Cable length	Request ()
7	Connector	<input type="checkbox"/> Hirose GT-16 <input type="checkbox"/> Other ()
8	Schedule	ES1 ES2 Approval P/P M/P

Note

For customized specifications and details, please contact us.

Product Numbering System



for
Broadcasting
Use

Home Use
Digital Terrestrial
Tuners

Digital
CATV
Tuners

Digital
BS
Tuners

Automotive Use
Digital Terrestrial
Tuners

Antennas

Home Use
FM/AM
Tuners

FM/AM Tuner
for HD Radio™
Broadcasting

Automotive
Use FM/AM
Tuners

for
Communication
Use

RF Module
for Data
Communication