

**Cascadable Amplifier  
10 to 500 MHz**

**A180 / SMA180**

V2

**Features**

- HIGH REVERSE ISOLATION: 22 dB (TYP.)
- HIGH OUTPUT POWER: +18 dBm (TYP.)

**Description**

The A180 RF amplifier is a discrete hybrid design, which uses thin film manufacturing processes for accurate performance and high reliability.

This single stage bipolar transistor feedback amplifier design displays impressive performance over a broadband frequency range. An active DC biasing network insures temperature-stable performance.

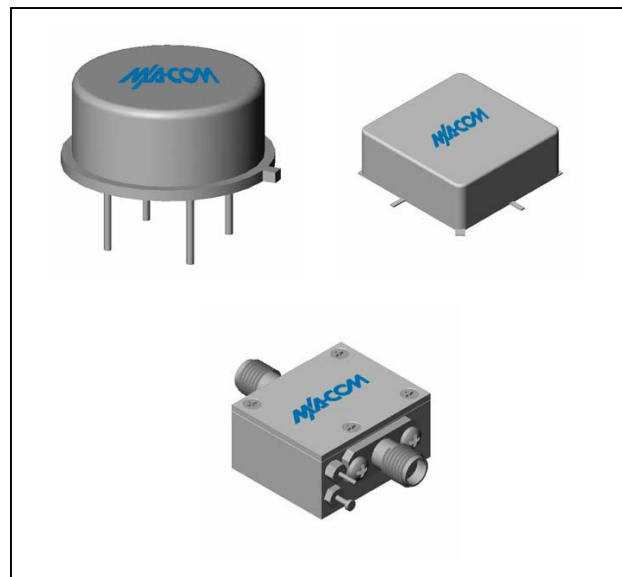
Both TO-8 and Surface Mount packages are hermetically sealed, and MIL-STD-883 environmental screening is available.

**Ordering Information**

| Part Number | Package           |
|-------------|-------------------|
| A180        | TO-8              |
| SMA180      | Surface Mount     |
| CA180 **    | SMA Connectorized |

\*\* The connectorized version is not RoHs compliant.

**Product Image**



**Electrical Specifications:  $Z_0 = 50\Omega$ ,  $V_{CC} = +15 V_{DC}$**

| Parameter                       | Units | Typical       | Guaranteed    |                |
|---------------------------------|-------|---------------|---------------|----------------|
|                                 |       | 25°C          | 0° to 50°C    | -54° to +85°C* |
| Frequency                       | MHz   | 5-600         | 10-500        | 10-500         |
| Small Signal Gain (min)         | dB    | 16.5          | 16.0          | 15.5           |
| Gain Flatness (max)             | dB    | ±0.3          | ±0.7          | ±1.0           |
| Reverse Isolation               | dB    | 22            |               |                |
| Noise Figure (max)              | dB    | 3.4           | 4.0           | 4.5            |
| Power Output @ 1 dB comp. (min) | dBm   | 18.0          | 16.0          | 15.0           |
| IP3                             | dBm   | +33           |               |                |
| IP2                             | dBm   | +45           |               |                |
| Second Order Harmonic IP        | dBm   | +51           |               |                |
| VSWR Input / Output (max)       |       | 1.4:1 / 1.5:1 | 1.9:1 / 2.1:1 | 2.1:1 / 2.2:1  |
| DC Current @ 15 Volts (max)     | mA    | 63            | 69            | 75             |

**Absolute Maximum Ratings**

| Parameter                              | Absolute Maximum |
|----------------------------------------|------------------|
| Storage Temperature                    | -62°C to +125°C  |
| Case Temperature                       | +125°C           |
| DC Voltage                             | +17 V            |
| Continuous Input Power                 | +15 dBm          |
| Short Term Input power (1 minute max.) | 100 mW           |
| Peak Power (3 µsec max.)               | 0.5 W            |
| "S" Series Burn-In Temperature (case)  | +125°C           |

**Thermal Data:  $V_{CC} = +15 V_{DC}$**

| Parameter                                     | Rating  |
|-----------------------------------------------|---------|
| Thermal Resistance $\theta_{jc}$              | 45°C/W  |
| Transistor Power Dissipation $P_d$            | 0.509 W |
| Junction Temperature Rise Above Case $T_{jc}$ | +22.9°C |

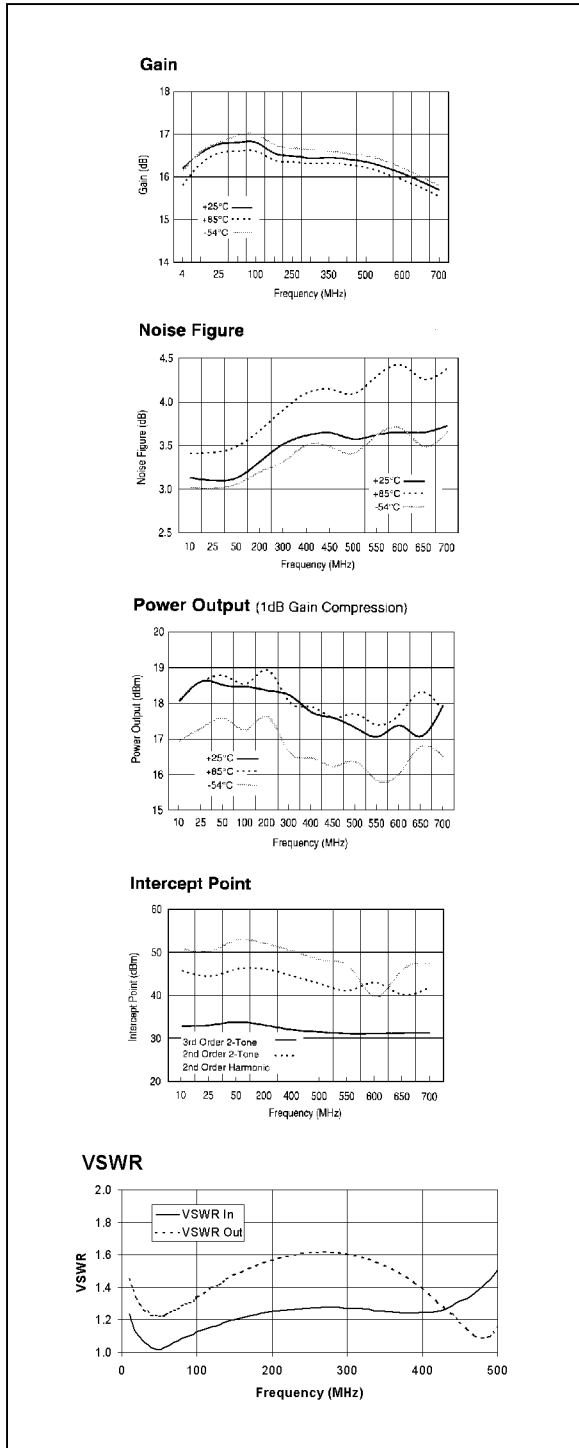
\* Over temperature performance limits for part number CA180, guaranteed from 0°C to +50°C only.

**Cascadable Amplifier  
10 to 500 MHz**

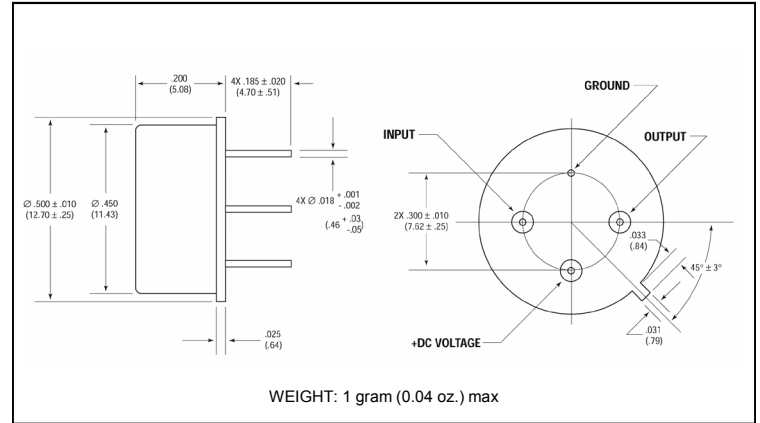
**A180 / SMA180**

V2

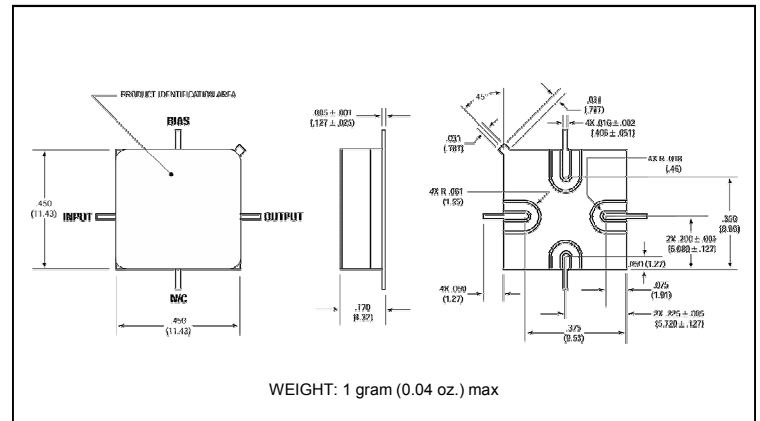
**Typical Performance Curves at +25°C**



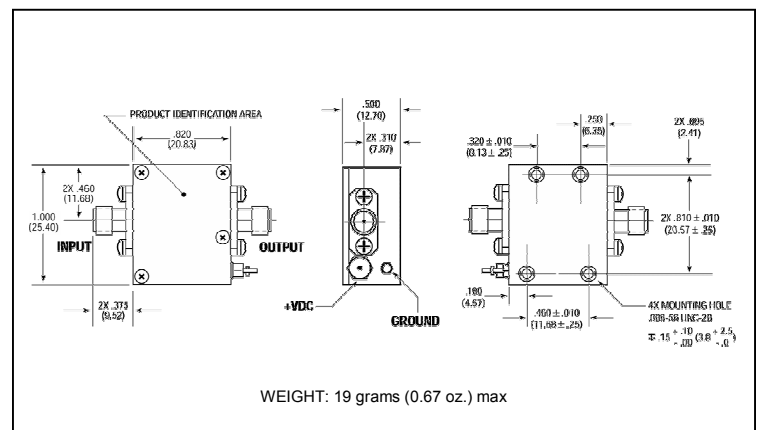
**Outline Drawing: TO-8 \***



**Outline Drawing: Surface Mount \***



**Outline Drawing: SMA Connectorized \***



\* Dimensions are inches (millimeters) ±0.015 (0.38) unless otherwise specified.