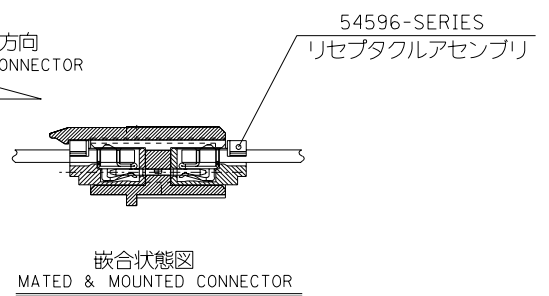
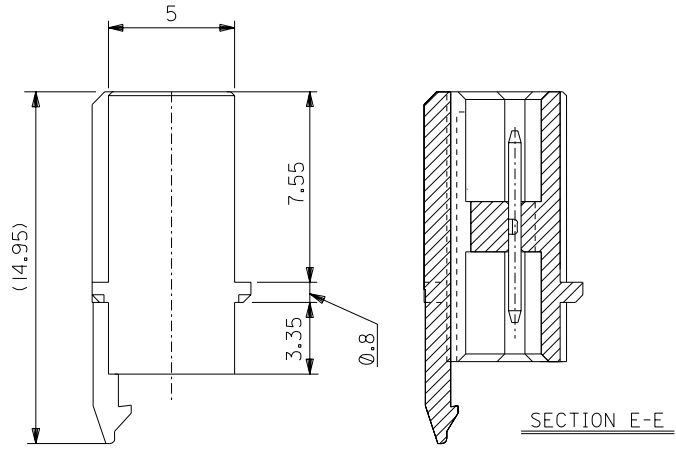
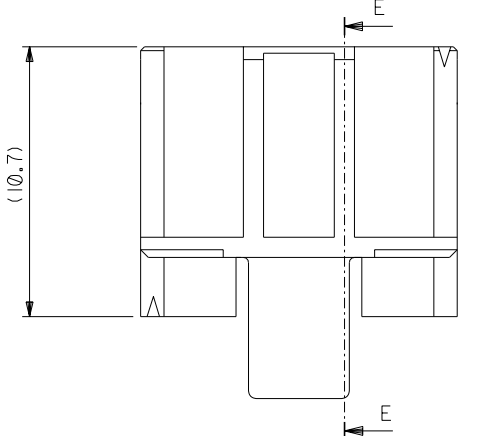
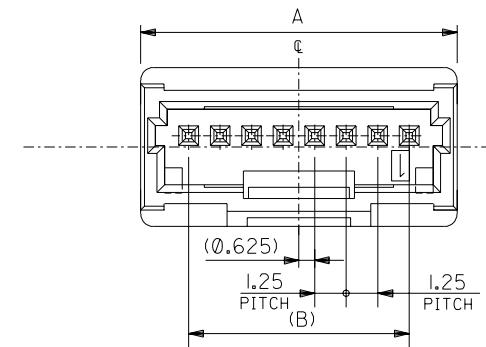


DWG. NO.
SD-55482-005



23.75	27.55	55482-2039	20
22.5	26.3	55482-1939	19
21.25	25.05	55482-1839	18
20	23.8	55482-1739	17
18.75	22.55	55482-1639	16
17.5	21.3	55482-1539	15
16.25	20.05	55482-1439	14
15	18.8	55482-1339	13
13.75	17.55	55482-1239	12
12.5	16.3	55482-1139	11
11.25	15.05	55482-1039	10
10	13.8	55482-0939	9
8.75	12.55	55482-0839	8
7.5	11.3	55482-0739	7
6.25	10.05	55482-0639	6
5	8.8	55482-0539	5
3.75	7.55	55482-0439	4
2.5	6.3	55482-0339	3
1.25	5.05	55482-0239	2
B	A	MATERIAL NO.	CIRCUITS

注記 1.材質 MATERIAL
 ウエハー: 66ナイロン、UL94-V0
 WAFER: 66NYLON, UL94-V0
 ピン: 黄銅、銅下地 錫メッキ
 PIN: BRASS, PRE-TINNED

2.嵌合相手 MATE WITH
 リセパタクルアセンブリ: 54596 シリーズ
 REC, ASS'Y: 54596 SERIES
 ピン: リン青銅、錫メッキ
 PIN: PHOSPHOR BRONZE, PRE-TINNED

3.本製品は 55482-*30 の鉛フリー品である。**
 THIS PRODUCT IS LEAD FREE OF 55482-***30.

DO NOT SCALE DRAWING

EC NO. DRWN: CHK: APPR:	EC NO. DRWN: CHK: APPR:	EC NO. DRWN: CHK: APPR:	EC NO. DRWN: CHK: APPR:	RELEASED '04/06/07 EC NO. J2004-4611 DRWN: T.UENO CHK: M.SASAO APPR: M.SASAO	MATERIAL 材料 注記参照 SEE NOTES	GENERAL TOLERANCES: (UNLESS SPECIFIED) 一般公差	SCALE 5 : 1	DESIGN UNITS mm INCH	MODEL NO.	DIMENSIONS:		SHT	REV
							10 UNDER 未滿	±0.2	DRAWN BY & DATE T.UENO '04/06/07	THIRD ANGLE PROJECTION	mm INCH	mm ONLY	REVISE ON CAD ONLY
EC NO. DRWN: CHK: APPR:	EC NO. DRWN: CHK: APPR:	EC NO. DRWN: CHK: APPR:	EC NO. DRWN: CHK: APPR:	0	FINISH 仕上げ 注記参照 SEE NOTES	10 OVER 以上	30 UNDER 未滿	±0.25	CHECKED BY & DATE M.SASAO '04/06/07	TITLE: Mini Mi II I-ROW RELAY WAFER ASS'Y -LEAD FREE-			
						30 OVER 以上	±0.3	APPROVED BY & DATE M.SASAO '04/06/07					
WIRE RANGE 適用電線範囲						— / —	ANGLE 角度	±3°	CAD FILENAME SD-55482-005.S01	MATERIAL NO. SEE CHART	DRAWING NO. SD-55482-005	SHEET NO. 1 OF 1	SIZE B
THIS DRAWING CONTAINS INFORMATION THAT IS PROPRIETARY TO MOLEX INCORPORATED AND SHOULD NOT BE USED WITHOUT WRITTEN PERMISSION.										EN-02J(097) MXJ-54			

SD-55482-005.S01